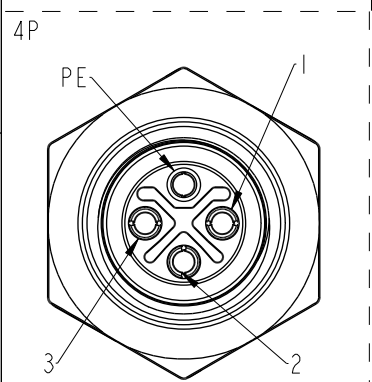
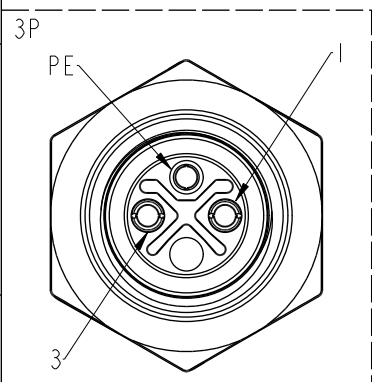
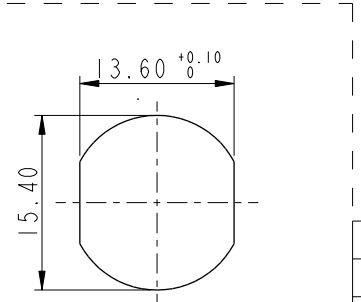
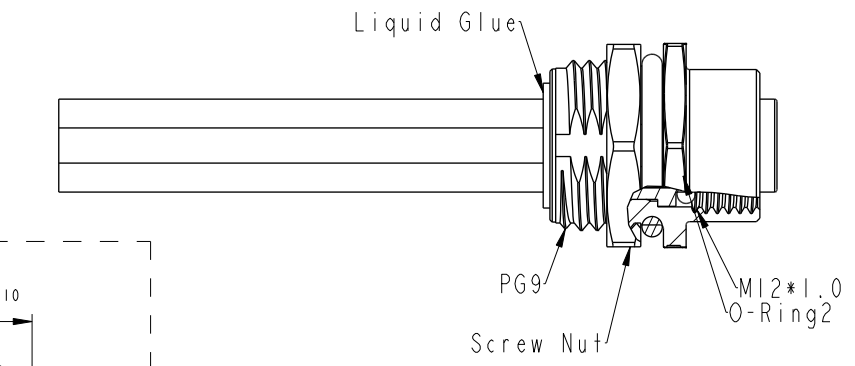
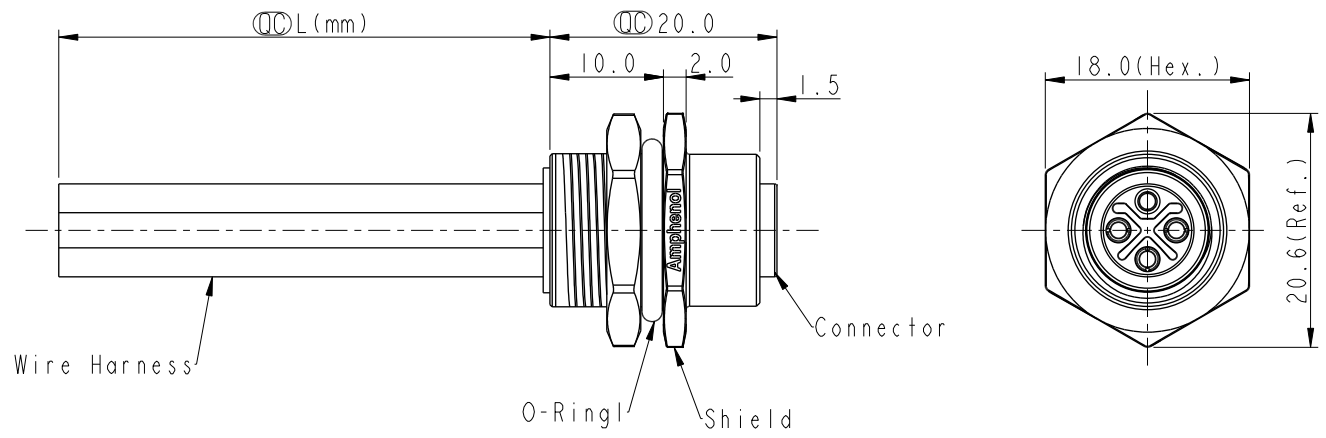


THIS DOCUMENT IS SUBJECT TO CHANGE WITHOUT NOTICE. IT IS CONFIDENTIAL AND A PROPERTY OF Amphenol LTW. DISCLOSURE TO THIRD PARTY HAS TO BE AUTHORIZED BY Amphenol LTW.

REV.	ECN NO.	DATE	SIGN	DESCRIPTION
F	C230009	2023/01/03	Vicky	△F X1
G	C231037	2023/08/08	Vicky	△G X1
H	C240701	2024/06/20	Ruru	△H X2



Conn.	Wire Color	Conn.	Wire Color
3	Blue	3	Blue
2	White	2	
1	Brown	1	Brown
PE	Black	PE	Black

Recommended Panel Cut-Out

Pin Assignment Front View

UNIT: mm

TOLERANCE	
.X	±0.25
.XX	±0.1
.XXX	±0.05
ANGLES	±1°

TITLE: N SEN, M12 S, SCREW RECEPTACLE, F, F, SOLDER

SCALE: 2:1	SIZE: A4	SHEET: 1 OF 2
REV: H	WC-REV: .0	QC: Inspection item


Amphenol LTW
安費諾亮泰企業股份有限公司


ITEM NO	DRWN BY	DATE
DWG NO: M12S-XXPFFS-SH8BXX	Ruru	2024-06-20
CUSTOMER: ALTW	CHECKED BY: Rita	DATE: 2024-06-20
	APPROVED BY: Fred	DATE: 2024-06-20

F
E
D
C
B
A






2 3 4 5 6 7 8

W10814-03-001A2

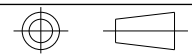

MI2S-XXPFFS-SH8BXX
 XX: No. Of Pin



 15: 150mm
 20: 200mm
 ↓
 95: 950mm
 Cable Pitch Unit: 50mm

 A0: 1000mm
 ↓
 A5: 1500mm
 Cable Pitch Unit: 100mm
 Wire Length(L): 150~1500mm

- Note: 
- * RoHS Compliant
 - *  Important dimension
 -  * Waterproof rate: IP68, unmated 1m/24h
 IP69K, mated
 - * Connector
 Housing: Thermoplastic, Black
 Pin: Copper alloy, Gold plated
 O-Ring2: Rubber, Green
 - * Shield: Metal
 - * Nut: Metal
 - * O-Ring1: Rubber, Black
 - * Wire harness: UL1015, 16AWG
 - * For panel thickness max: 4.5mm
 - * O-Ring and nut are assembled on connectors
 -  * Wire harness tolerance: 150mm < L ≤ 300mm: ±15mm
 300mm < L ≤ 1000mm: ±20mm
 1000mm < L ≤ 1500mm: +50/-0mm


UNIT: mm



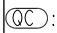
TITLE
 N SEN, MI2 S, SCREW
 RECEPTACLE, F, F, SOLDER 

Amphenol LTW

安費諾亮泰企業股份有限公司

ITEM NO	DRAWN BY	DATE
	Ruru	2024-06-20
DWG NO	CHECKED BY	DATE
 MI2S-XXPFFS-SH8BXX	Rita	2024-06-20
CUSTOMER	APPROVED BY	DATE
ALTW	Fred	2024-06-20

TOLERANCE	
.X	±0.25
.XX	±0.1
.XXX	±0.05
ANGLES	±1°

SCALE	SIZE	SHEET	OF
2:1	A4	2	2
REV.	WC-REV.	 Inspection item	
H	.0		