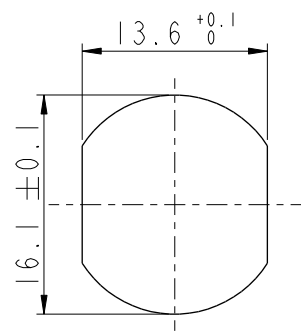
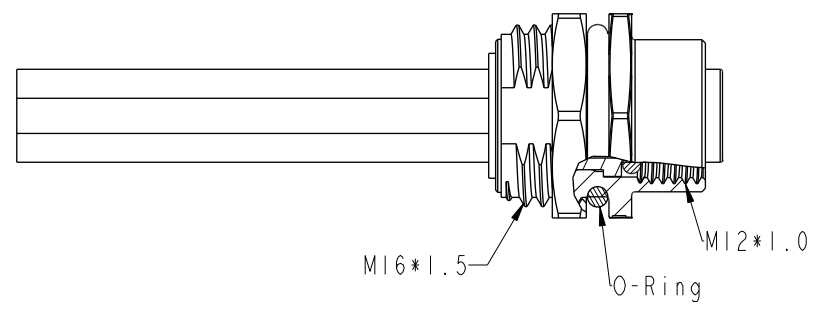
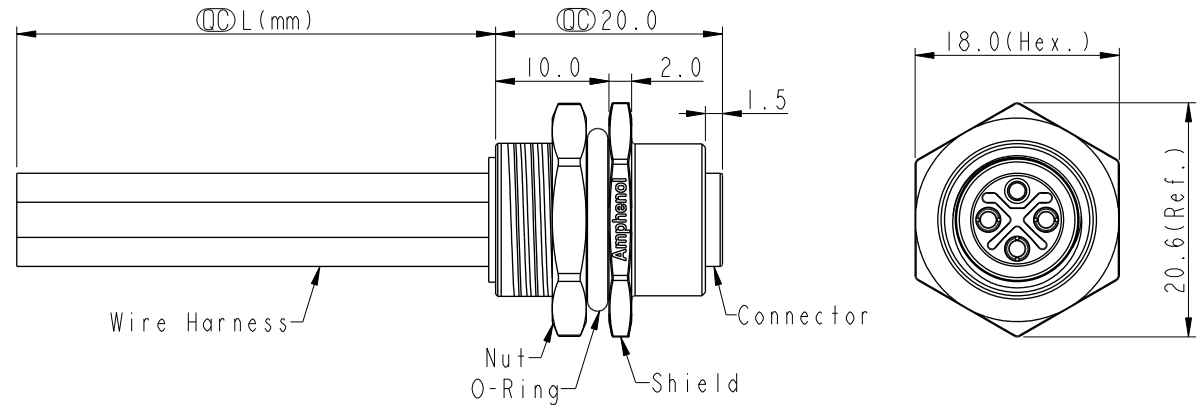
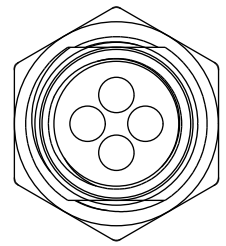


THIS DOCUMENT IS SUBJECT TO CHANGE WITHOUT NOTICE. IT IS CONFIDENTIAL AND A PROPERTY OF Amphenol LTW. DISCLOSURE TO THIRD PARTY HAS TO BE AUTHORIZED BY Amphenol LTW.

REV.	ECN NO.	DATE	SIGN	DESCRIPTION
F	C230009	2023/01/03	Vicky	XI
G	C231037	2023/08/08	Vicky	XI
H	C240701	2024/06/21	Ruru	XI



Recommended Panel Cut-Out

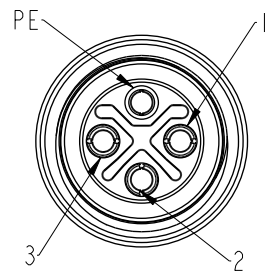


PE	Black	黑
3	Blue	藍
2	White	白
1	Brown	棕

PE	Black	黑
3	Blue	藍
2	--	--
1	Brown	棕

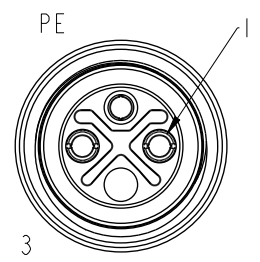
Pin # Wire
Pin Out

Pin # Wire
Pin Out



3+PE

Pin Assignments Front View



2+PE

Pin Assignments Front View



UNIT:mm	
TOLERANCE	
.X	±0.25
.XX	±0.1
.XXX	±0.05
ANGLES	±1°

TITLE N SEN, M12 S, SCREW RECEPTACLE, F, F, SOLDER			
SCALE	3:2	SIZE	A4
SHEET	1	OF	2
REV.	H	WC-REV.	A.1
Inspection item			

Amphenol LTW
安費諾亮泰企業股份有限公司

ITEM NO	DWG NO	CUSTOMER	DRAWN BY	CHECKED BY	APPROVED BY	DATE
	M12S-XXPFFS-SH8CXX	ALTW	Ruru	Rita	Fred	2024-06-21

1 2 3 4 5 6 7 8

F
E
D
C
B
A



M12S-XXPFFS-SH8CXX

XX:No. Of Pin

15:150mm
 20:200mm
 95:950mm
 Cable Pitch Unit:50mm

A0:1000mm
 A5:1500mm
 Cable Pitch Unit:100mm
 Wire Length(L):150~1500mm

- Note:
- * RoHS Compliant
 - * Important dimension
 - * Waterproof rate: IP68, unmated 1m/24h
 IP69K, mated
 - * Connector
 Housing: Thermoplastic, Black
 Pin: Copper alloy, Gold plated
 O-Ring: Rubber, Green
 - * Shield: Metal
 - * Nut: Metal
 - * O-Ring: Rubber, Black
 - * Wire harness: UL1015, 16AWG
 - * For panel thickness max: 4.5mm
 - * O-Ring and nut are assembled on connectors
 - * Wire harness tolerance: 150mm < L ≤ 300mm: ±15mm
300mm < L ≤ 1000mm: ±20mm
1000mm < L ≤ 1500mm: +50/-0mm

UNIT:mm 	TOLERANCE .X ±0.25 .XX ±0.1 .XXX ±0.05 ANGLES ±1°	TITLE N SEN, M12 S, SCREW RECEPTACLE, F, F, SOLDER	<h2 style="margin: 0;">Amphenol LTW</h2> <p style="margin: 0;">安費諾亮泰企業股份有限公司</p>	ITEM NO M12S-XXPFFS-SH8CXX	DRAWN BY Ruru	DATE 2024-06-21
	SCALE 3:2 SIZE A4 SHEET 2 OF 2	REV. H WC-REV. A.1 Inspection item		DWG NO M12S-XXPFFS-SH8CXX	CHECKED BY Rita	DATE 2024-06-21
	CUSTOMER ALTW	APPROVED BY Fred		DATE 2024-06-21		