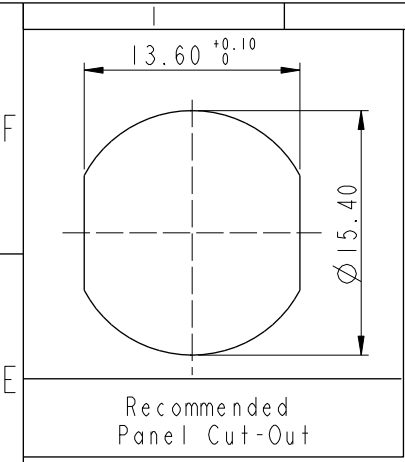
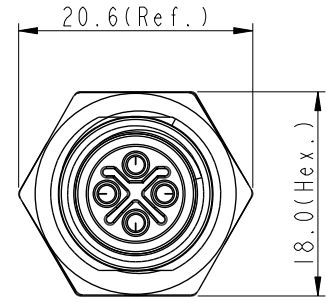
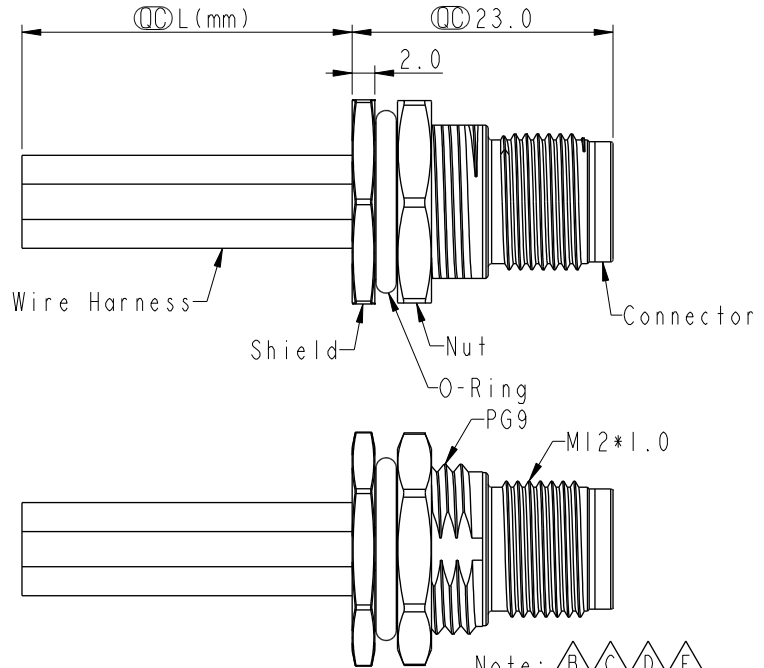
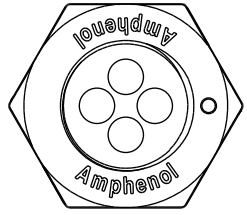


THIS DOCUMENT IS SUBJECT TO CHANGE WITHOUT NOTICE. IT IS CONFIDENTIAL AND A PROPERTY OF Amphenol LTW. DISCLOSURE TO THIRD PARTY HAS TO BE AUTHORIZED BY Amphenol LTW.

REV.	ECN NO.	DATE	SIGN	DESCRIPTION
F	C221879	2022/12/20	Ruru	$\triangle F$ X1
G	C231032	2023/08/07	Ruru	$\triangle G$ X1
H	C240701	2024/06/19	Ruru	$\triangle H$ X2

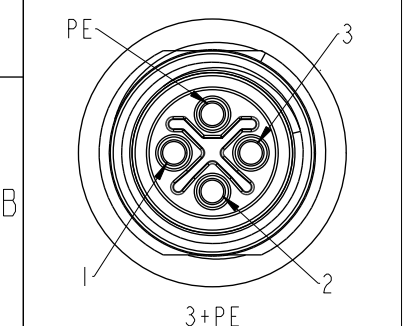


Recommended Panel Cut-Out



PE	Black	黑
3	Blue	藍
2	White	白
1	Brown	棕

Pin #	Wire	Pin Out
-------	------	---------



Pin Assignments Front View

$\triangle C \triangle D \triangle E$   
M12S-XXPMMS-SF8BXX  
XX:No. Of Pin

- $\triangle H$  15:150mm
- $\triangle H$  20:200mm
- ∩
- 95:950mm
- Cable Pitch Unit:50mm
- A0:1000mm
- ∩
- A5:1500mm
- Cable Pitch Unit:100mm
- Wire Length(L):150~1500mm

- Note:  $\triangle B \triangle C \triangle D \triangle E$
- \* RoHS Compliant
  - \*  $\triangle C$  Important dimension
  - $\triangle F$  \* Waterproof rate: IP68, unmated 1m/24h
  - $\triangle G$  \* IP69K, mated
  - \* Connector
  - Housing: Thermoplastic, Black
  - Pin: Copper alloy, Gold plated
  - \* Shield: Metal
  - \* Nut: Metal
  - \* O-Ring: Rubber, Black
  - \* Wire harness: UL1015, 16AWG
  - \* For panel thickness max: 4.5mm
  - \* O-Ring and nut are assembled on connectors
  - $\triangle H$  \* Wire harness tolerance: 150mm < L ≤ 300mm: ±15mm
  - 300mm < L ≤ 1000mm: ±20mm
  - 1000mm < L ≤ 1500mm: +50/-0mm

UNIT:mm	
TOLERANCE	
.X	±0.25
.XX	±0.1
.XXX	±0.05
ANGLES	±1°

TITLE N SEN, M12 S, SCREW RECEPTACLE, M, M, SOLDER $\triangle D$			
SCALE 1:1	SIZE A4	SHEET 1 OF 1	
REV. H	WC-REV. A.3	$\triangle C$ : Inspection item	

**Amphenol LTW**  
安費諾亮泰企業股份有限公司

ITEM NO	DRAWN BY Ruru	DATE 2024-06-19
DWG NO $\triangle D$ M12S-XXPMMS-SF8BXX	CHECKED BY Rita	DATE 2024-06-19
CUSTOMER ALTW	APPROVED BY Fred	DATE 2024-06-19