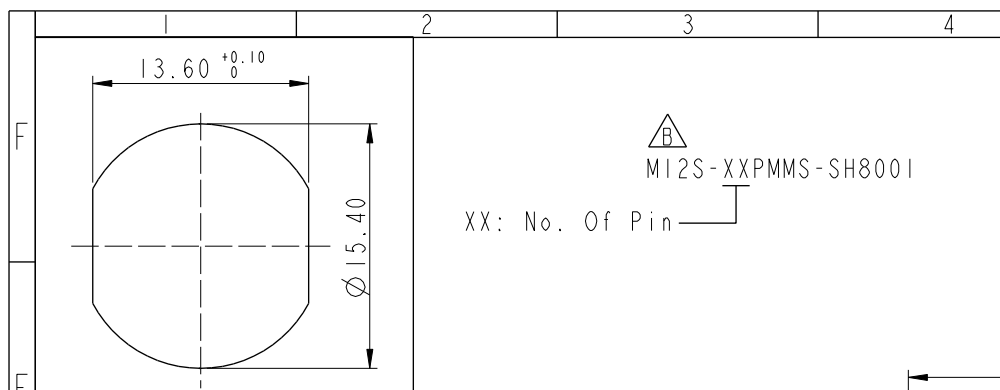
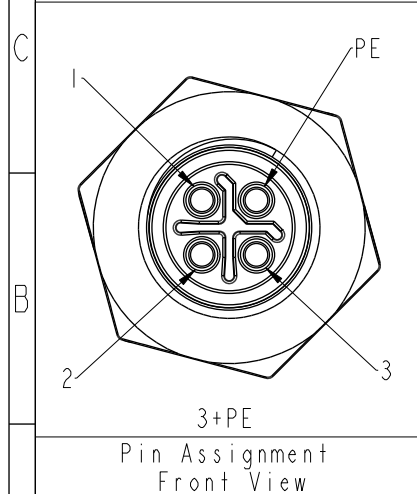
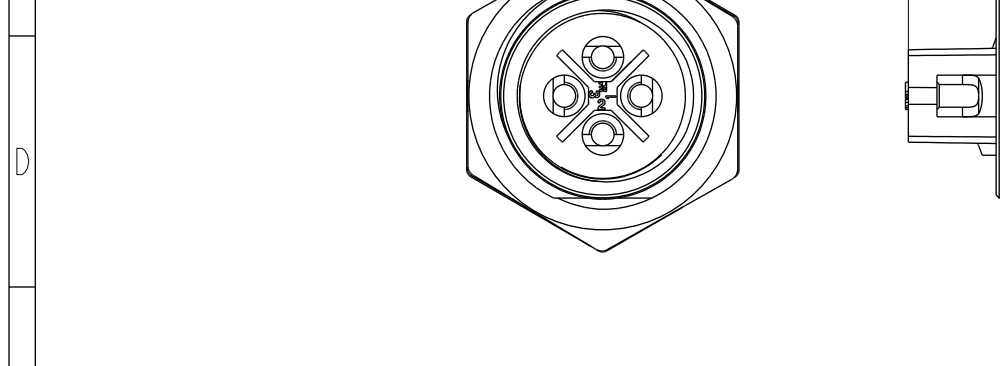


THIS DOCUMENT IS SUBJECT TO CHANGE WITHOUT NOTICE. IT IS CONFIDENTIAL AND A PROPERTY OF Amphenol LTW. DISCLOSURE TO THIRD PARTY HAS TO BE AUTHORIZED BY Amphenol LTW.

REV.	ECN NO.	DATE	SIGN	DESCRIPTION
C	C210309	2020/03/10	Ruru	XI
D	C221973	2022/12/26	Ruru	XI
E	C231034	2023/08/09	Ruru	XI



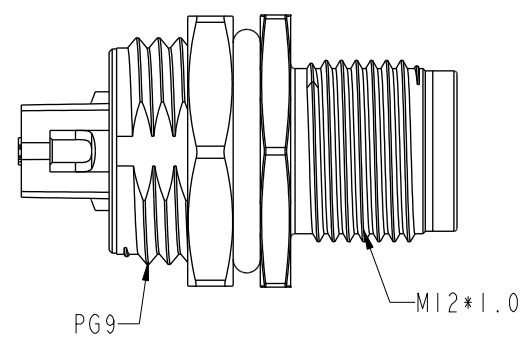
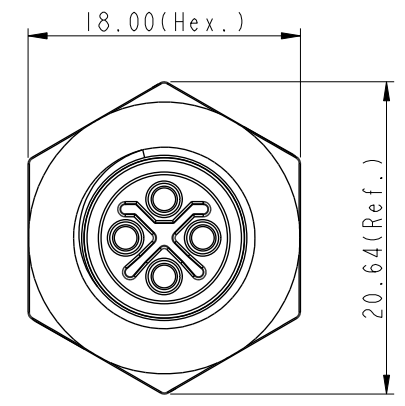
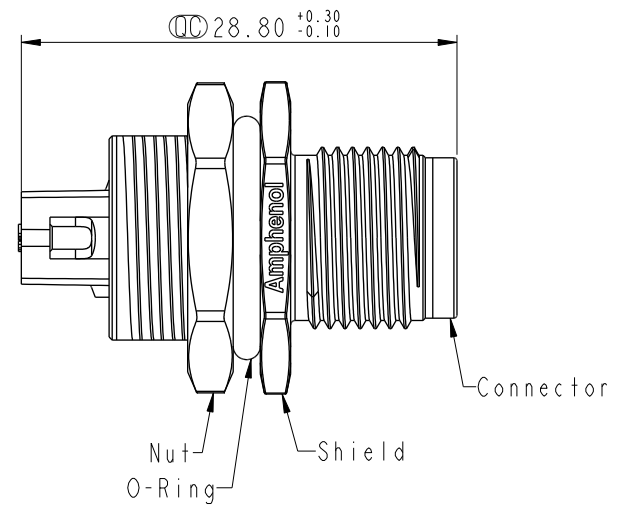
Recommended Panel Cut-Out



UNIT: mm		
TOLERANCE	.X ±0.25	
	.XX ±0.1	
	.XXX ±0.05	
ANGLES	±1°	

M12S-XXPMMS-SH8001

XX: No. Of Pin



- Note:
- * RoHS Compliant
 - * Important dimension
 - * Waterproof rate: IP68, unmated 1m/24h
 IP69K, mated
 - * Connector
 Housing: Thermoplastic, Black
 Pin: Copper alloy, Gold plated
 - * Shield: Metal
 - * Nut: Metal
 - * O-Ring: Rubber, Black
 - * For panel thickness max: 4.5mm
 - * Nut is packed separately in pe bag

TITLE N SEN, M12 S, SCREW RECEPTACLE, M, M, SOLDER			
SCALE 1:1	SIZE A4	SHEET 1 OF 1	
REV. E	WC-REV. A.1	: Inspection item	

Amphenol LTW
安費諾亮泰企業股份有限公司

ITEM NO.	DRAWN BY Jane	DATE 2018/06/28
DWG NO. M12S-XXPMMS-SH8001	CHECKED BY Neo	DATE 2018/06/28
CUSTOMER ALTW	APPROVED BY Max	DATE 2018/06/28