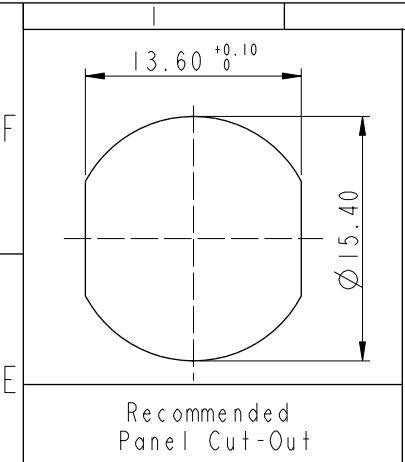
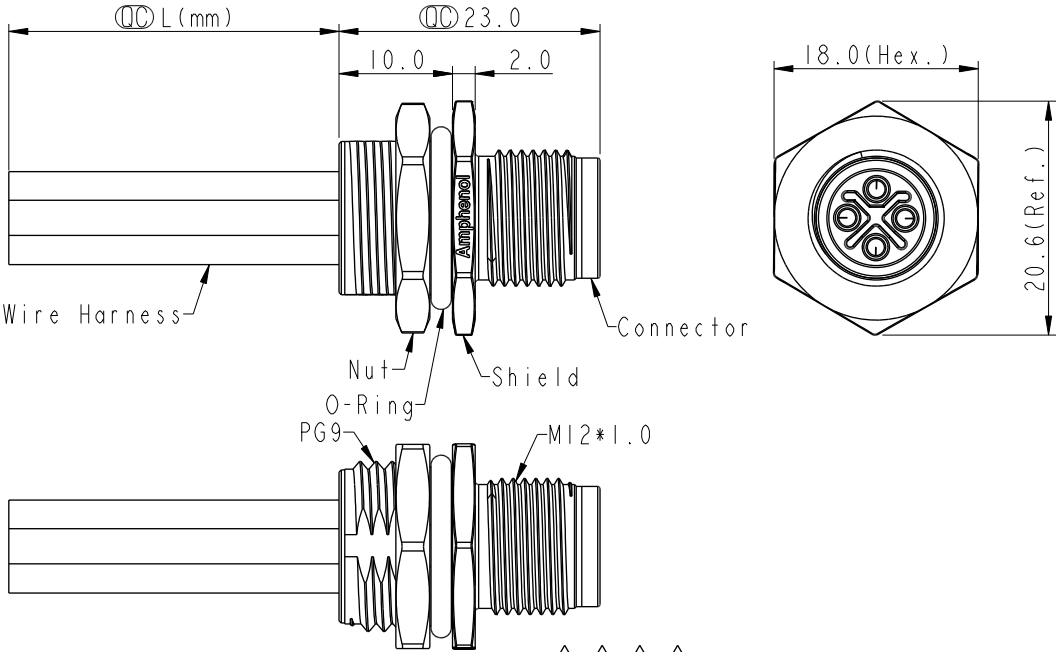
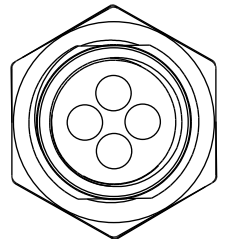


THIS DOCUMENT IS SUBJECT TO CHANGE WITHOUT NOTICE. IT IS CONFIDENTIAL AND A PROPERTY OF Amphenol LTW. DISCLOSURE TO THIRD PARTY HAS TO BE AUTHORIZED BY Amphenol LTW.

REV.	ECN NO.	DATE	SIGN	DESCRIPTION
F	C221879	2022/12/20	Ruru	△F X1
G	C231032	2023/08/07	Ruru	△G X1
H	C240701	2024/06/20	Ruru	△H X2

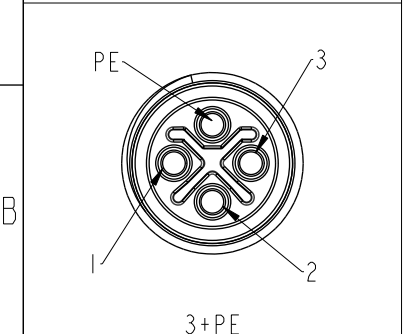


Recommended Panel Cut-Out



PE	Black	黑
3	Blue	藍
2	White	白
1	Brown	棕

Pin #	Wire	Pin Out
-------	------	---------



3+PE

Pin Assignments Front View

△C △D △E
M12S-XXPMMS-SH8BXX
 XX:No. Of Pin

△H
 15: 150mm
 20: 200mm
 95: 950mm
 Cable Pitch Unit: 50mm

A0: 1000mm
 A5: 1500mm
 Cable Pitch Unit: 100mm
 Wire Length(L): 150~1500mm

Note: △B △C △D △E
 * RoHS Compliant
 * Ⓞ Important dimension
 △F * Waterproof rate: IP68, unmated 1m/24h
 △G IP69K, mated

* Connector
 Housing: Thermoplastic, Black
 Pin: Copper alloy, Gold plated
 * Shield: Metal
 * Nut: Metal
 * O-Ring: Rubber, Black
 * Wire harness: UL1015, 16AWG
 * For panel thickness max: 4.5mm
 * O-Ring and nut are assembled on connectors

△H * Wire harness tolerance: 150mm < L ≤ 300mm: ±15mm
 300mm < L ≤ 1000mm: ±20mm
 1000mm < L ≤ 1500mm: +50/-0mm

UNIT:mm		
TOLERANCE	.X ±0.25	
	.XX ±0.1	
	.XXX ±0.05	
ANGLES	±1°	

TITLE N SEN, M12 S, SCREW RECEPTACLE, M, M, SOLDER △D			
SCALE 1:1	SIZE A4	SHEET 1 OF 1	
REV. H	WC-REV. A.3	Ⓞ: Inspection item	

Amphenol LTW
 安費諾亮泰企業股份有限公司

ITEM NO	DRAWN BY Ruru	DATE 2024-06-20
DWG NO △D M12S-XXPMMS-SH8BXX	CHECKED BY Rita	DATE 2024-06-20
CUSTOMER ALTW	APPROVED BY Fred	DATE 2024-06-20