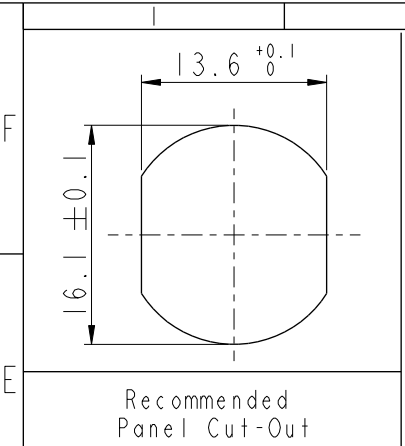
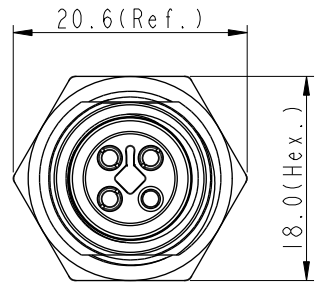
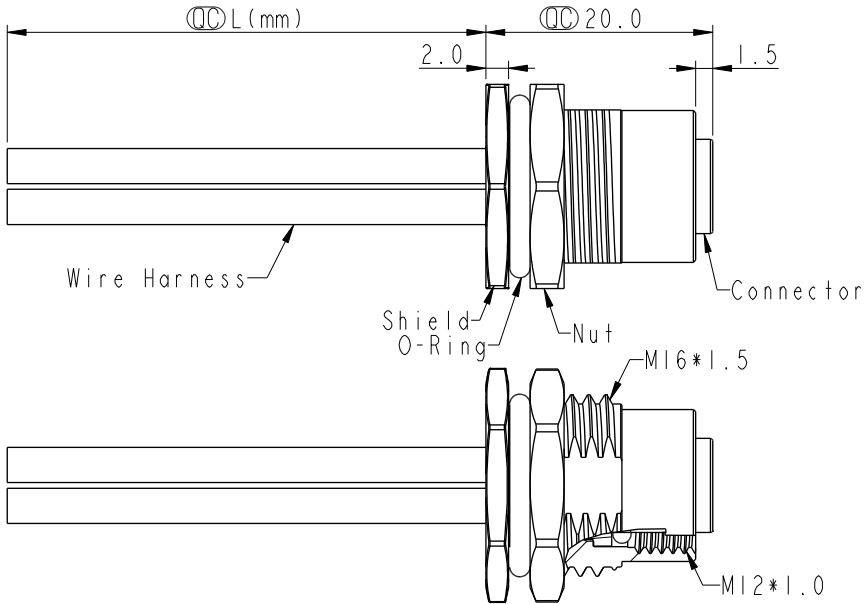
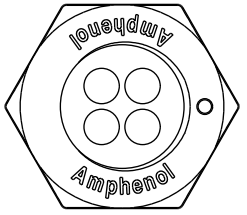


THIS DOCUMENT IS SUBJECT TO CHANGE WITHOUT NOTICE. IT IS CONFIDENTIAL AND A PROPERTY OF Amphenol LTW. DISCLOSURE TO THIRD PARTY HAS TO BE AUTHORIZED BY Amphenol LTW.

REV.	ECN NO.	DATE	SIGN	DESCRIPTION
F	C221890	2022/12/29	Vicky	F XI
G	C231037	2023/08/08	Vicky	G XI
H	C240699	2024/06/21	Vicky	H X2

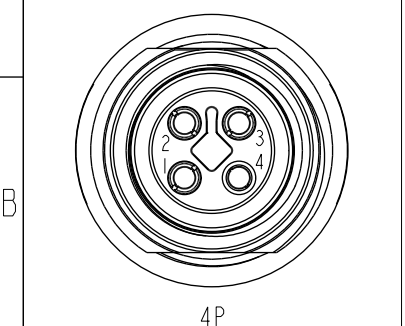


Recommended Panel Cut-Out



4	Black	黑
3	Blue	藍
2	White	白
1	Brown	棕

Pin #	Wire	Pin Out



Pin Assignments Front View

M12T-XXPFFS-SF8CXX

XX: No. Of Pin

△ H 15: 150mm
20: 200mm

95: 950mm

Cable Pitch Unit: 50mm

A0: 1000mm

A5: 1500mm

Cable Pitch Unit: 100mm

Wire Length(L): 150~1500mm

Note: △ B △ C △ D △ E

- * RoHS Compliant
- * △ C Important dimension
- * △ F Waterproof rate: IP68, unmated 1m/24h
- * △ G IP69K, mated
- * Connector
- * Housing: Thermoplastic, Black
- * Pin: Copper alloy, Gold plated
- * O-Ring: Rubber, Green
- * Shield: Metal
- * Nut: Metal
- * O-Ring: Rubber, Black
- * Wire harness: UL1015, 16AWG
- * For panel thickness max: 4.5mm
- * O-Ring and nut are assembled on connectors
- * △ H Wire harness tolerance: 150mm < L ≤ 300mm: ±15mm
300mm < L ≤ 1000mm: ±20mm
1000mm < L ≤ 1500mm: +50/-0mm

UNIT: mm	
TOLERANCE	
.X	±0.25
.XX	±0.1
.XXX	±0.05
ANGLES	±1°

TITLE N SEN, M12 T, SCREW RECEPTACLE, F, F, SOLDER △ C △ E			
SCALE 2:1	SIZE A4	SHEET 1 OF 1	
REV. H	WC-REV. A.1	⌀: Inspection item	

Amphenol LTW
安費諾亮泰企業股份有限公司

ITEM NO	DRAWN BY Vicky	DATE 2024-06-21
DWG NO △ C M12T-XXPFFS-SF8CXX	CHECKED BY Rita	DATE 2024-06-21
CUSTOMER ALTW	APPROVED BY Fred	DATE 2024-06-21