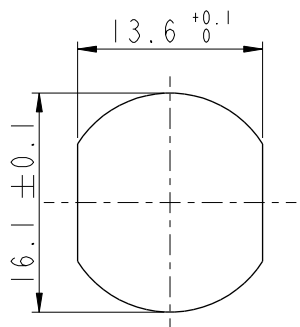
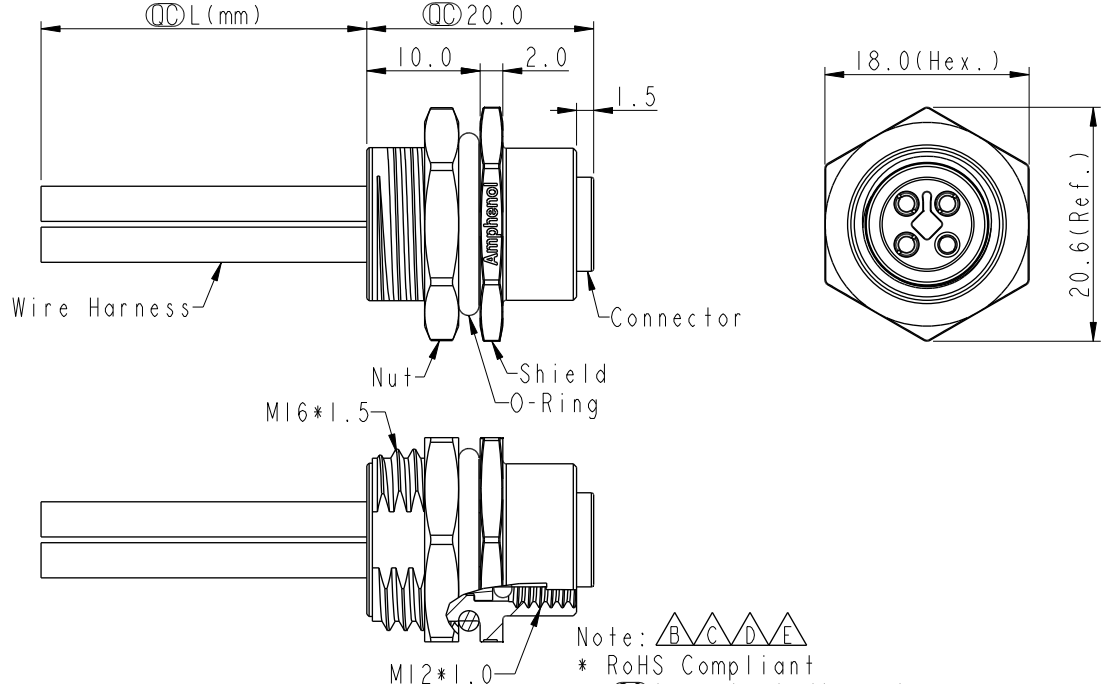
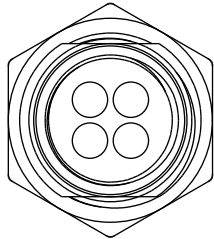


THIS DOCUMENT IS SUBJECT TO CHANGE WITHOUT NOTICE. IT IS CONFIDENTIAL AND A PROPERTY OF Amphenol LTW. DISCLOSURE TO THIRD PARTY HAS TO BE AUTHORIZED BY Amphenol LTW.

REV.	ECN NO.	DATE	SIGN	DESCRIPTION
F	C221890	2022/12/29	Vicky	△F XI
G	C231037	2023/08/08	Vicky	△G XI
H	C240699	2024/06/21	Vicky	△H X2

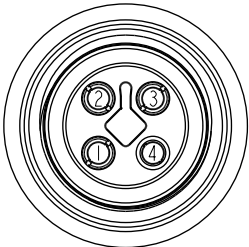


Recommended Panel Cut-Out



4	Black	黑
3	Blue	藍
2	White	白
1	Brown	棕

Pin #	Wire	Pin Out



4P

Pin Assignments Front View

△B △C △E
M12T-XXPFFS-SH8CXX
XX: No. Of Pin

- △H 15: 150mm
- 20: 200mm
- 95: 950mm
- Cable Pitch Unit: 50mm
- A0: 1000mm
- A5: 1500mm
- Cable Pitch Unit: 100mm
- Wire Length(L): 150~1500mm

- Note: △B △C △D △E
- * RoHS Compliant
 - * ∅ Important dimension
 - * Waterproof rate: IP68, unmated 1m/24h
 - △G IP69K, mated
 - * Connector
 - Housing: Thermoplastic, Black
 - Pin: Copper alloy, Gold plated
 - O-Ring: Rubber, Green
 - * Shield: Metal
 - * Nut: Metal
 - * O-Ring: Rubber, Black
 - * Wire harness: UL1015, 16AWG
 - * For panel thickness max: 4.5mm
 - * O-Ring and nut are assembled on connectors
 - △H * Wire harness tolerance: 150mm < L ≤ 300mm: ±15mm
 - 300mm < L ≤ 1000mm: ±20mm
 - 1000mm < L ≤ 1500mm: +50/-0mm

UNIT:mm	
TOLERANCE	
.X	±0.25
.XX	±0.1
.XXX	±0.05
ANGLES	±1°

TITLE N SEN, M12 T, SCREW RECEPTACLE, F, F, SOLDER △C △E			
SCALE 2:1	SIZE A4	SHEET 1 OF 1	
REV. H	WC-REV. A.1	∅ Inspection item	

Amphenol LTW
安費諾亮泰企業股份有限公司

ITEM NO	DRAWN BY Vicky	DATE 2024-06-21
DWG NO △C M12T-XXPFFS-SH8CXX	CHECKED BY Rita	DATE 2024-06-21
CUSTOMER ALTW	APPROVED BY Fred	DATE 2024-06-21