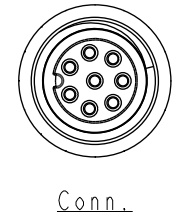
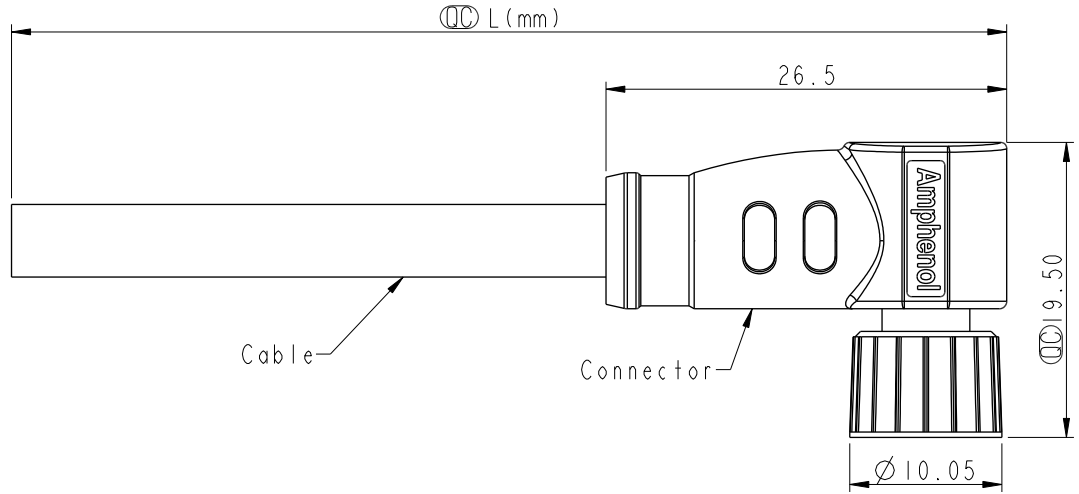


THIS DOCUMENT IS SUBJECT TO CHANGE WITHOUT NOTICE. IT IS CONFIDENTIAL AND A PROPERTY OF Amphenol LTW. DISCLOSURE TO THIRD PARTY HAS TO BE AUTHORIZED BY Amphenol LTW.

REV.	ECN NO.	DATE	SIGN	DESCRIPTION
A		2023/05/16	Aber	Rev.01 to Rev.A



Note:

- * RoHS Compliant
- * $\text{\textcircled{C}}$ Important dimension
- * Waterproof rate: IP67, mated.
- * Connector
 - Housing: Thermoplastic, Black.
 - Pin: Copper alloy, Gold plated.
 - O-Ring: Rubber, Gray.
 - Nut: Metal.
 - Outer mold: Thermoplastic, Black.
- * Cable: UL20549, PUR Jacket, Black.
- * Cable length tolerance: 1M: +50/-0 mm

1M < L ≤ 3M	+100/-0 mm
3M < L ≤ 5M	+150/-0 mm
5M < L ≤ 10M	±100 mm
10M < L ≤ 20M	±200 mm
20M < L ≤ 30M	±300 mm
30M < L ≤ 99M	±500 mm

UNIT: mm			TITLE N SEN, M8, SCREW CABLE W/O SR, F, F, MOLDING		
TOLERANCE	±0.5mm		SCALE 2:1	SIZE A4	SHEET 1 OF 2
REV. A	WC-REV. .0	$\text{\textcircled{C}}$: Inspection item	Amphenol LTW 安費諾亮泰企業股份有限公司		

ITEM NO	DRAWN BY Aber	DATE 2023/05/16
DWG NO M8-XXBFFM-SR7BXX	CHECKED BY Wen	DATE 2023/05/16
CUSTOMER ALTW	APPROVED BY Neo	DATE 2023/05/16

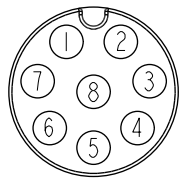
THIS DOCUMENT IS SUBJECT TO CHANGE WITHOUT NOTICE. IT IS CONFIDENTIAL AND A PROPERTY OF Amphenol LTW. DISCLOSURE TO THIRD PARTY HAS TO BE AUTHORIZED BY Amphenol LTW.

6	7	8
8P	4.8	24
Contacts	Cable OD	AWG
		M8-08BFFM-SR7BXX
		Item No.


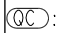
M8-XXBFFM-SR7BXX

XX: No. Of Pin

XX: 01~99Meters
 01: 01 Meter
 02: 02 Meters
 :
 99: 99 Meters

C	Pin Out	8 Red 紅 7 Blue 藍 6 Pink 粉 5 Gray 灰 4 Yellow 黃 3 Green 綠 2 Brown 棕 1 White 白
	Pin #	Wire
B	Conn.	 <p>8P</p>

Pin Assignments Front View

A	UNIT:mm		TITLE	N SEN, M8, SCREW CABLE W/O SR, F, F, MOLDING
	TOLERANCE	±0.5mm	SCALE	2:1
			SIZE	A4
			SHEET	2 OF 2
	REV.	A	WC-REV.	.0
				Inspection item

Amphenol LTW
 安費諾亮泰企業股份有限公司

ITEM NO	DRAWN BY	DATE
	Aber	2023/05/16
DWG NO	CHECKED BY	DATE
M8-XXBFFM-SR7BXX	Wen	2023/05/16
CUSTOMER	APPROVED BY	DATE
ALTW	Neo	2023/05/16