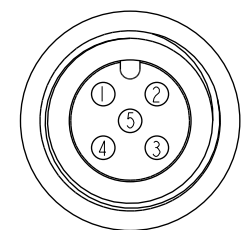
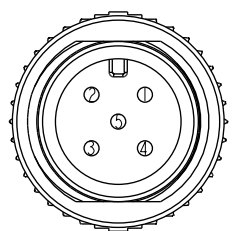
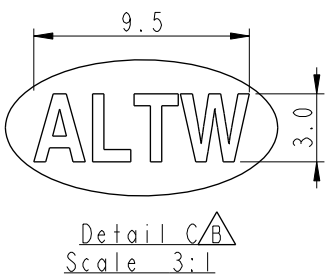
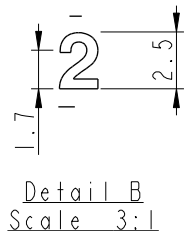
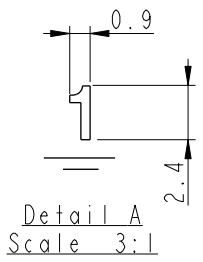
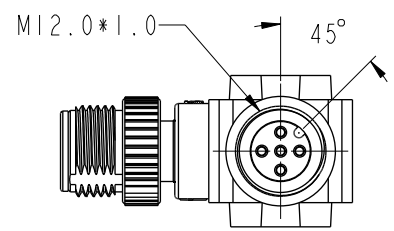
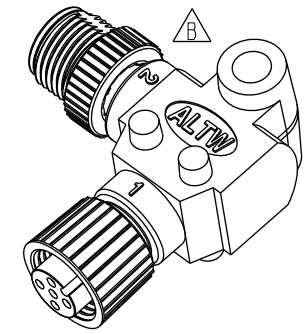
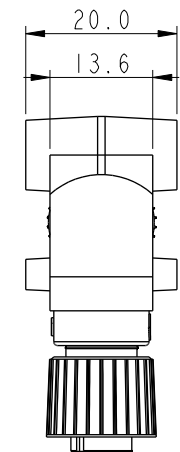
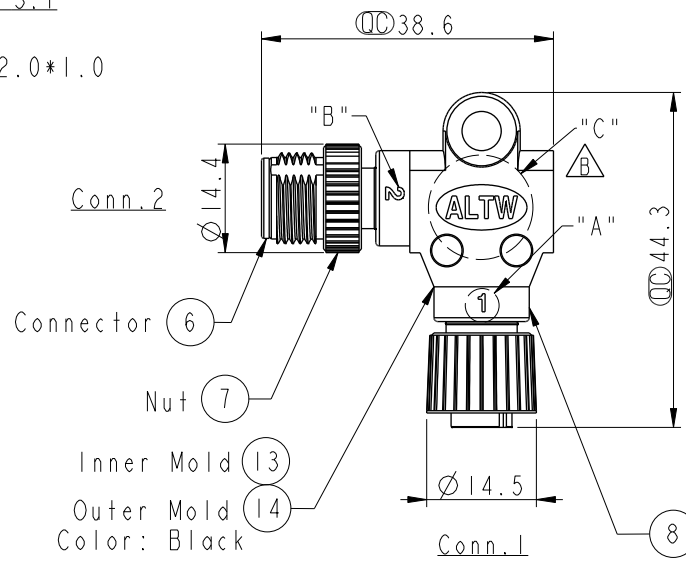
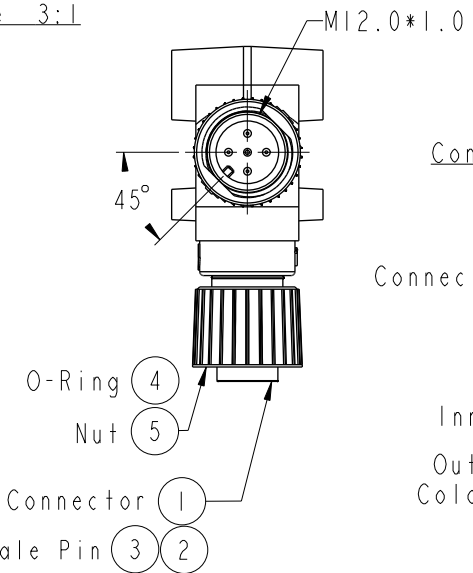


REV.	ECN NO.	DATE	SIGN	DESCRIPTION
B	C231132	2023/08/31	Ruru	$\triangle B$ X4



Blue 藍 (22AWG)	5	5
White 白 (22AWG)	4	4
Black 黑 (18AWG)	3	3
Red 紅 (18AWG)	2	2
Green 綠 (22AWG)	1	1
Wire Color	Conn. 1	Conn. 2
	Pin Out	



- Note:
- * \varnothing Important Dimension.
 - * Waterproof Rate: IP68.
 - * Connector: PU, Black
 - * O-Ring: Viton, Green
 - * Nut: Zinc Alloy, Nickel Plated.
 - * Pin: Copper Alloy, Gold Plated.
 - * Wire Harness: UL1007/TR64 22AWG, OD=0.76mm, Green, White, Blue.
 - * Wire Harness: UL1007/TR64 18AWG, OD=1.20mm, Red, Black.
 - * Text Depth : 0.3 mm

UNIT:mm	\varnothing	TITLE	ACC, NMEA, N-APVD, L ADA W/O CB FM, 55	
TOLERANCE		SCALE	SIZE	SHEET
.X ± 0.25		1:1	A4	1 OF 1
.XX ± 0.1		REV.	WC-REV.	
.XXX ± 0.05		B	A.1	
ANGLES $\pm 1^\circ$			\varnothing : Inspection item	

Amphenol LTW
安費諾亮泰企業股份有限公司

ITEM NO.	MC-000505-0FM-ES001	DRAWN BY	SamChang	DATE	2013-06-25
DWG NO.	MC-000505-0FM-ES001	CHECKED BY	Jeffrey	DATE	2013-12-17
CUSTOMER	ALTW	APPROVED BY	Rita	DATE	2013-12-17

THIS DOCUMENT IS SUBJECT TO CHANGE WITHOUT NOTICE. IT IS CONFIDENTIAL AND A PROPERTY OF Amphenol LTW. DISCLOSURE TO THIRD PARTY HAS TO BE AUTHORIZED BY Amphenol LTW.