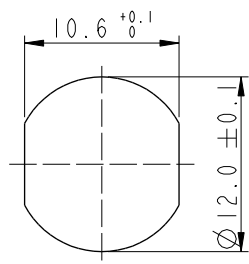


THIS DOCUMENT IS SUBJECT TO CHANGE WITHOUT NOTICE. IT IS CONFIDENTIAL AND A PROPERTY OF AMPHENOL LTW. DISCLOSURE TO THIRD PARTY HAS TO BE AUTHORIZED BY AMPHENOL LTW.

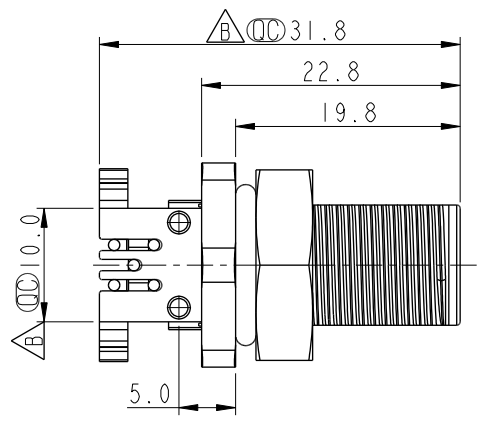
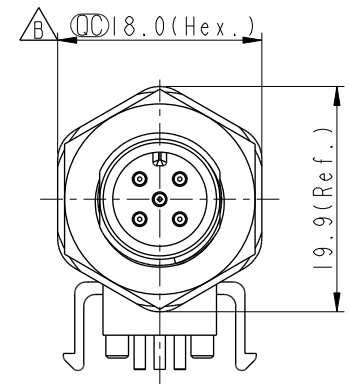
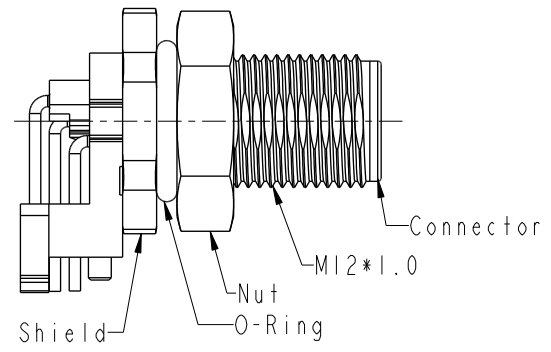
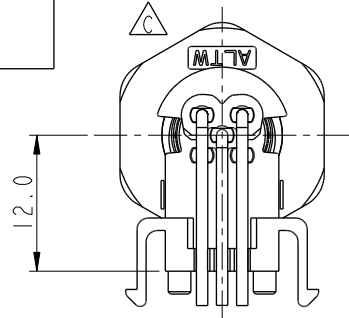
REV.	ECN NO.	DATE	SIGN	DESCRIPTION
C	C211126	2021/07/14	Ruru	△C XI
D	C230012	2023/01/05	Vicky	△D XI
E	C231037	2023/08/08	Vicky	△E XI



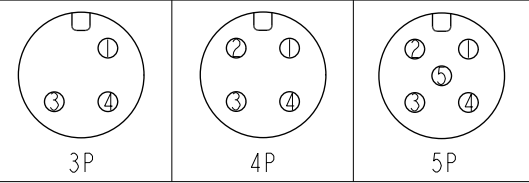
△B MSAP-XXPMMR-SF8003

XX: No. Of Pin

Recommended Panel Cut-Out



- △B Note:
- * RoHS Compliant
 - * ∅ Important dimension
 - △D * Waterproof rate: IP68, unmated 1m/24h
 - △E IP69K, mated
 - * Connector
 - Housing: Thermoplastic, Black
 - Pin: Copper alloy, Gold plated
 - * Shield: Thermoplastic, Black
 - * Nut: Thermoplastic, Black
 - * O-Ring: Rubber, Gray
 - * For panel thickness max: 4.0mm
 - * For pcb thickness max: 1.6mm
 - * Nut is packed separately in pe bag



Pin Assignment Front View

UNIT:mm		
TOLERANCE		
.X	±0.25	
.XX	±0.1	
.XXX	±0.05	
ANGLES	±1°	

TITLE N SEN, M12 A -PLASTIC, SCREW RECEPTACLE, M, M, PCB R △B			
SCALE 3:2	SIZE A4	SHEET 1 OF 2	
REV. E	WC-REV. A.2	∅∅: Inspection item	

Amphenol LTW
安費諾亮泰企業股份有限公司

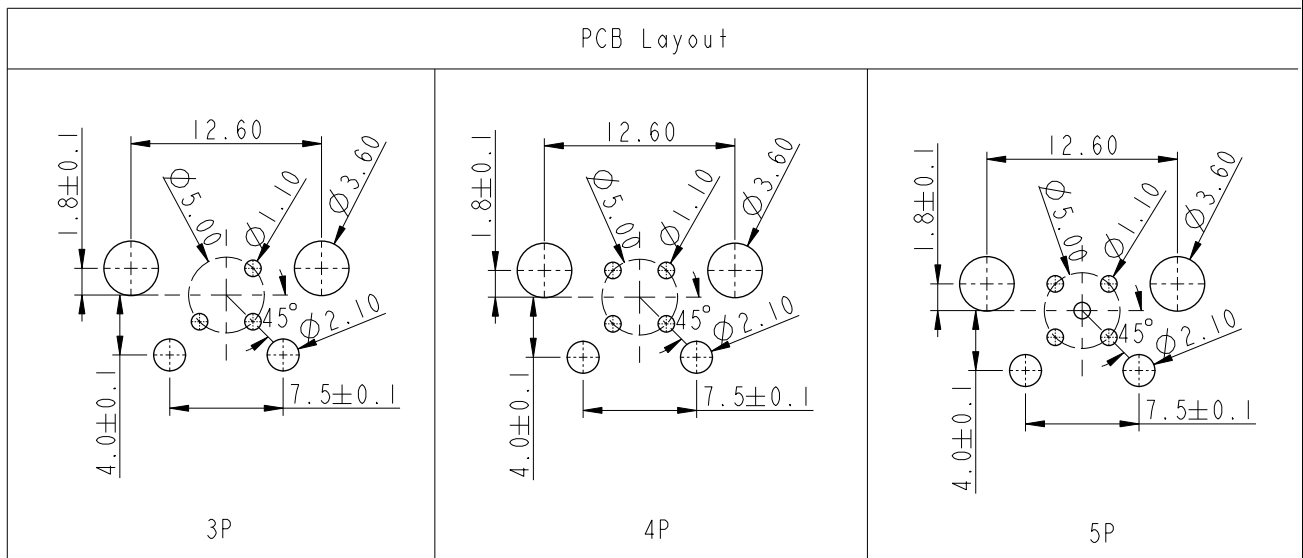
ITEM NO	DRAWN BY Yulong_wang	DATE 2016-12-07
DWG NO MSAP-XXPMMR-SF8003	CHECKED BY Jinhai	DATE 2016-12-07
CUSTOMER ALTW	APPROVED BY Jerry	DATE 2016-12-07

THIS DOCUMENT IS SUBJECT TO CHANGE WITHOUT NOTICE. IT IS CONFIDENTIAL AND A PROPERTY OF Amphenol LTW. DISCLOSURE TO THIRD PARTY HAS TO BE AUTHORIZED BY Amphenol LTW.

1 2 3 4 5 6 7 8

F
E
D
C
B
A

PCB Layout



UNIT: mm		
TOLERANCE	.X	±0.25
	.XX	±0.1
	.XXX	±0.05
ANGLES		±1°

TITLE N SEN, M12 A -PLASTIC, SCREW RECEPTACLE, M, M, PCB R			
SCALE	3:2	SIZE	A4
		SHEET	2 OF 2
REV.	E	WC-REV.	A.2
		: Inspection item	

Amphenol LTW
安費諾亮泰企業股份有限公司

ITEM NO	
DWG NO	MSAP-XXPMMR-SF8003
CUSTOMER	ALTW

DRAWN BY	Yulong_wang
CHECKED BY	Jinhai
APPROVED BY	jerry

DATE	2016-12-07
DATE	2016-12-07
DATE	2016-12-07