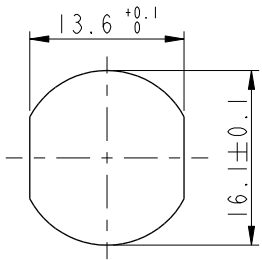


THIS DOCUMENT IS SUBJECT TO CHANGE WITHOUT NOTICE. IT IS CONFIDENTIAL AND A PROPERTY OF Amphenol LTW. DISCLOSURE TO THIRD PARTY HAS TO BE AUTHORIZED BY Amphenol LTW.

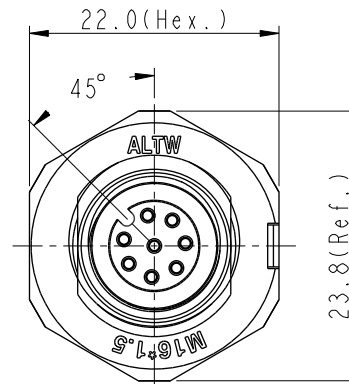
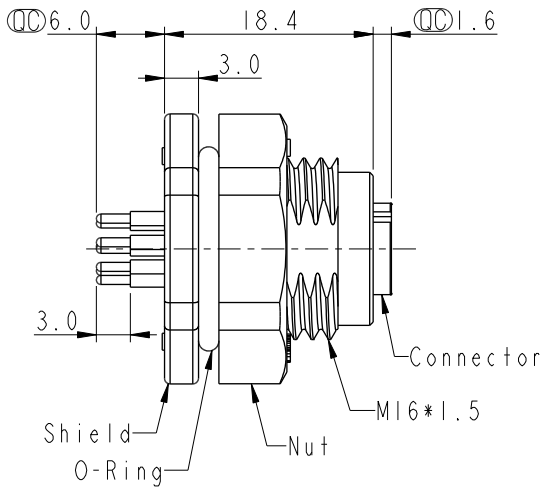
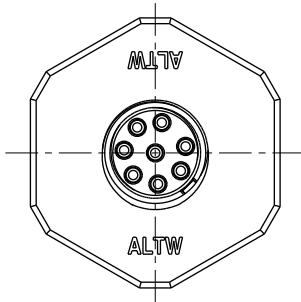
REV.	ECN NO.	DATE	SIGN	DESCRIPTION
D	C210309	2021/03/04	Ruru	$\triangle D$ X4
E	C230012	2023/01/05	Vicky	$\triangle E$ XI
F	C231037	2023/08/08	Vicky	$\triangle F$ XI



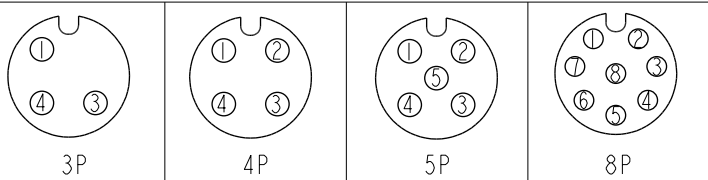
$\triangle D$
MSAP-XXPFFP-SF8002

XX: No. Of Pin

Recommended
Panel Cut-Out



- $\triangle D$ Note:
- * RoHS Compliant
 - * $\text{\textcircled{C}}$ Important dimension
 - $\triangle E$ * Waterproof rate: IP68, unmated 1m/24h
 $\triangle F$ IP69K, mated
 - * Connector
 - Housing: Thermoplastic, Black
 - Pin: Copper alloy, Gold plated
 - O-Ring: Rubber, Gray
 - * Shield: Thermoplastic, Black
 - * Nut: Thermoplastic, Black
 - * O-Ring: Rubber, Gray
 - * For panel thickness max: 4.0mm
 - * Nut is packed separately in pe bag



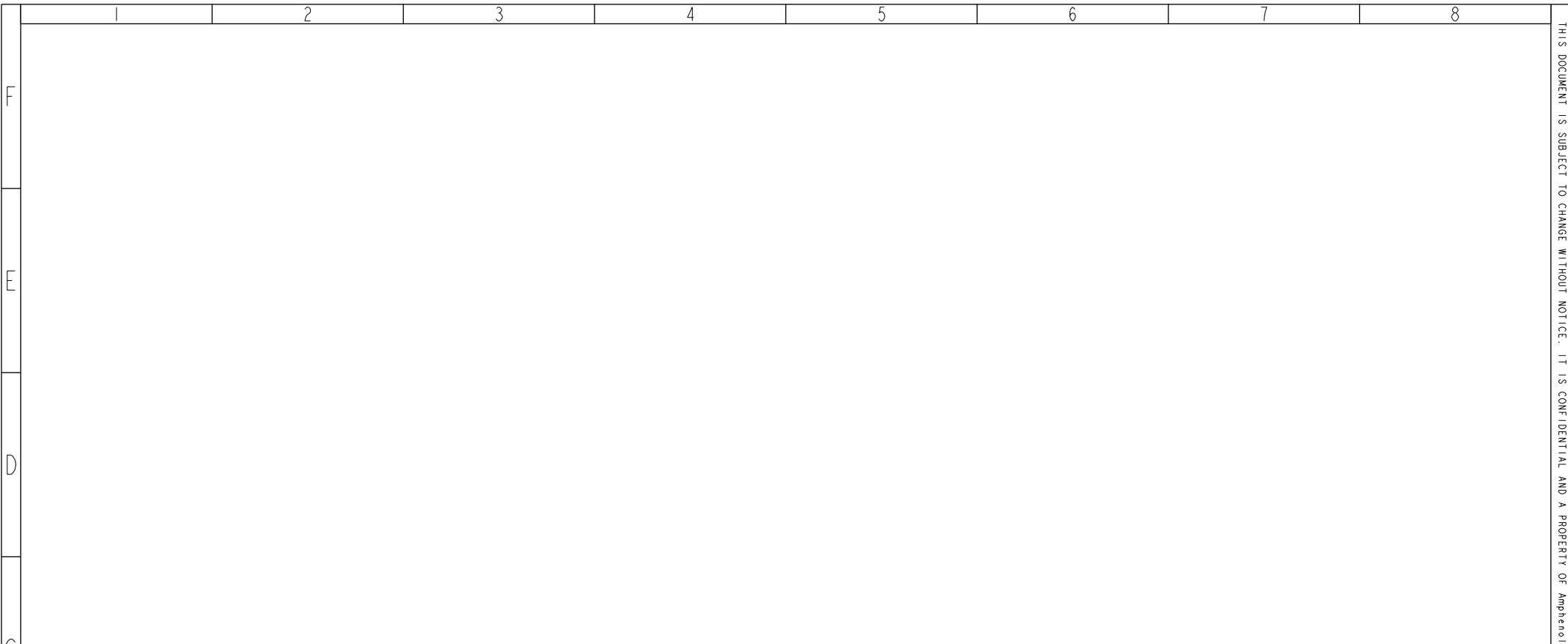
Pin Assignment Front View

UNIT: mm	$\text{\textcircled{C}}$	$\text{\textcircled{C}}$	TITLE N SEN, M12 A -PLASTIC, SCREW RECEPTACLE, F, F, PCB S $\triangle D$
TOLERANCE .X ±0.25 .XX ±0.1 .XXX ±0.05 ANGLES ±1°	SCALE 3:2	SIZE A4	SHEET 1 OF 2
REV. F	WC-REV. .0	$\text{\textcircled{C}}$: Inspection item	

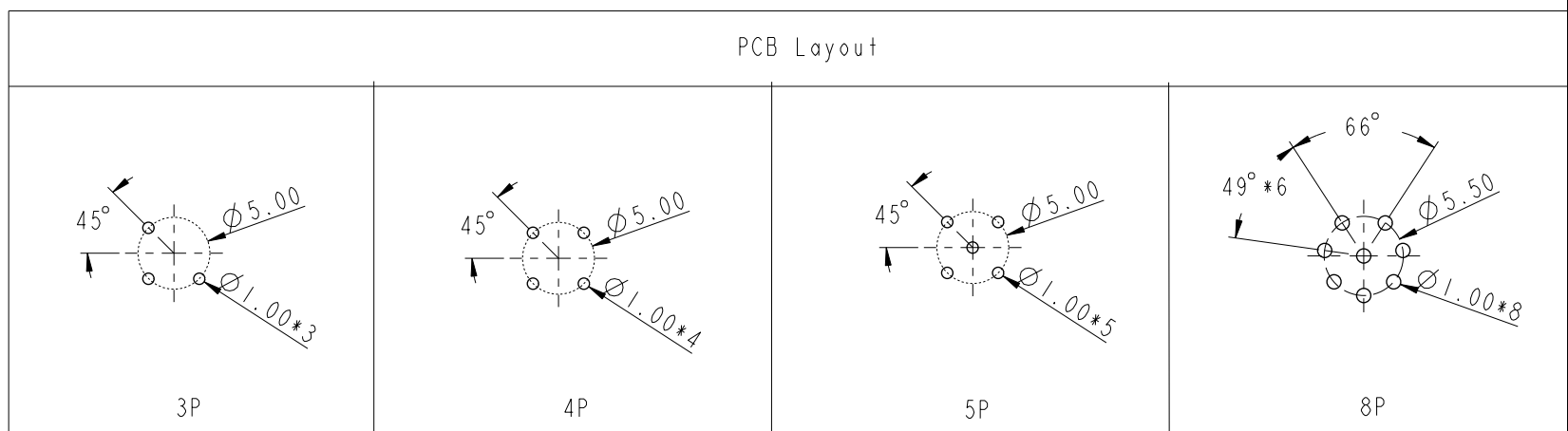
Amphenol LTW
安費諾亮泰企業股份有限公司

ITEM NO.	DRAWN BY Lingpeng	DATE 2017-09-19
DWG NO. MSAP-XXPFFP-SF8002	CHECKED BY Mafei	DATE 2017-09-19
CUSTOMER ALTW	APPROVED BY Jerry	DATE 2017-09-19

THIS DOCUMENT IS SUBJECT TO CHANGE WITHOUT NOTICE. IT IS CONFIDENTIAL AND A PROPERTY OF Amphenol LTW. DISCLOSURE TO THIRD PARTY HAS TO BE AUTHORIZED BY Amphenol LTW.



PCB Layout



UNIT: mm		TITLE N SEN, M12 A -PLASTIC, SCREW RECEPTACLE, F, F, PCB S	SCALE	SIZE	SHEET	OF
			3:2	A4	2	2
	TOLERANCE		REV.	WC-REV.	QC: Inspection item	
	.X ±0.25 .XX ±0.1 .XXX ±0.05 ANGLES ±1°		F	.0		

Amphenol LTW
安費諾亮泰企業股份有限公司

ITEM NO	DRAWN BY	DATE
DWG NO	CHECKED BY	DATE
CUSTOMER	APPROVED BY	DATE
MSAP-XXPFFP-SF8002	Lingpeng	2017-09-19
ALTW	Mafei	2017-09-19
	Jerry	2017-09-19