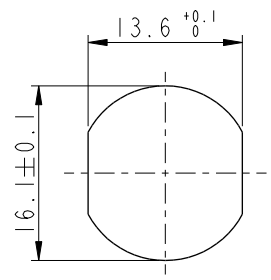


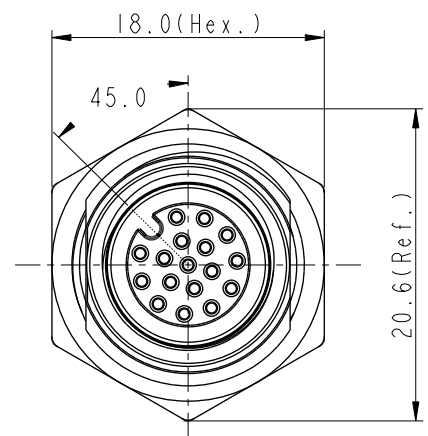
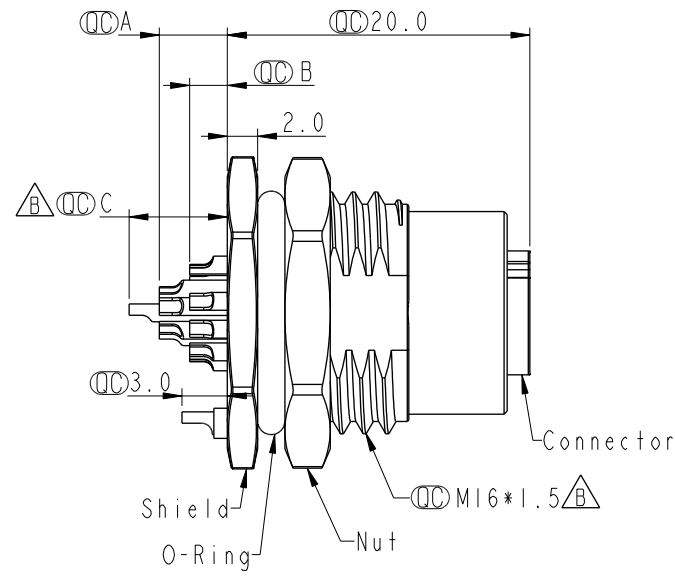
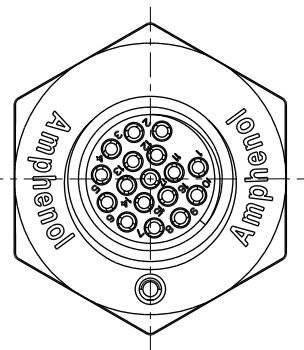
THIS DOCUMENT IS SUBJECT TO CHANGE WITHOUT NOTICE. IT IS CONFIDENTIAL AND A PROPERTY OF Amphenol LTW. DISCLOSURE TO THIRD PARTY HAS TO BE AUTHORIZED BY Amphenol LTW.

REV.	ECN NO.	DATE	SIGN	DESCRIPTION
C	C210309	2021/03/09	Ruru	X2
D	C221973	2022/12/26	Ruru	X1
E	C231034	2023/08/09	Ruru	X1



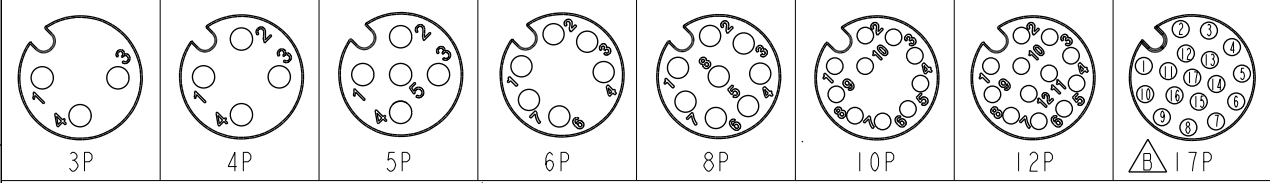
Recommended Panel Cut-Out

MSAS-XXPFFS-SF8002
 XX: No. Of Pin



Item No.	A	B	C
MSAS-03PFFS-SF8002		2.5	
MSAS-04PFFS-SF8002		2.5	
MSAS-05PFFS-SF8002		2.5	
MSAS-06PFFS-SF8002		2.5	
MSAS-08PFFS-SF8002		2.5	
MSAS-10PFFS-SF8002	4.5	2.5	
MSAS-12PFFS-SF8002	4.5	2.5	
MSAS-17PFFS-SF8002	4.5	2.5	6.5

- Note:
- * RoHS Compliant
 - * Important dimension
 - * Waterproof rate: IP68, unmated 1m/24h
IP69K, mated
 - * Connector Housing: Thermoplastic, Black
Pin: Copper alloy, Gold plated
O-Ring: Rubber, Green
 - * Shield: Metal
 - * Nut: Metal
 - * O-Ring: Rubber, Black
 - * For panel thickness max: 4.5mm
 - * Nut is packed separately in pe bag



Pin Assignment Front View

UNIT: mm			TITLE N SEN, M12 A -SHLD, SCREW RECEPTACLE, F, F, SOLDER
TOLERANCE .X ±0.25 .XX ±0.1 .XXX ±0.05 ANGLES ±1°	SCALE 3:2	SIZE A4	SHEET 1 OF 1
REV. E	WC-REV. A.5	◎: Inspection item	

Amphenol LTW
 安費諾亮泰企業股份有限公司

ITEM NO.	DRAWN BY Yulong_wang	DATE 2016-08-06
DWG NO. MSAS-XXPFFS-SF8002	CHECKED BY Jinhai	DATE 2016-08-06
CUSTOMER ALTW	APPROVED BY Jerry	DATE 2016-08-06