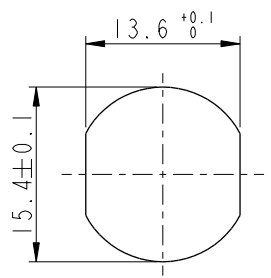
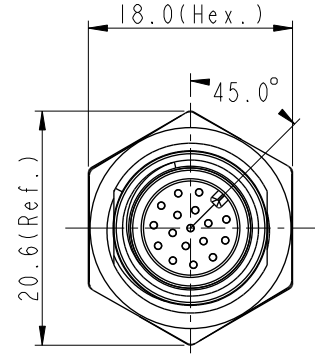
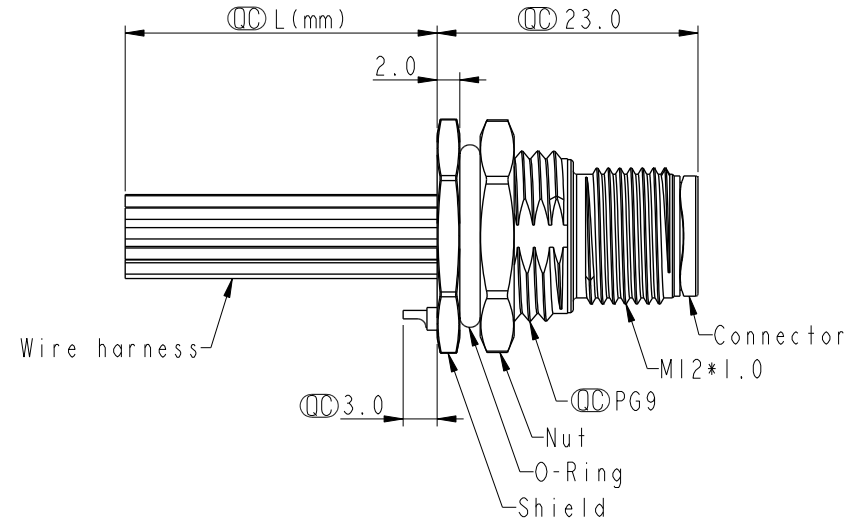
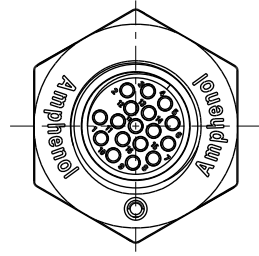


THIS DOCUMENT IS SUBJECT TO CHANGE WITHOUT NOTICE. IT IS CONFIDENTIAL AND A PROPERTY OF Amphenol LTW. DISCLOSURE TO THIRD PARTY HAS TO BE AUTHORIZED BY Amphenol LTW.

REV.	ECN NO.	DATE	SIGN	DESCRIPTION
G	C221928	2022/12/20	Ruru	$\triangle G$ X1
H	C231032	2023/08/07	Ruru	$\triangle H$ X1
I	C240701	2024/06/20	Ruru	$\triangle I$ X2



Recommended Panel Cut-Out

- Note: $\triangle B$ $\triangle D$ $\triangle E$ $\triangle F$
- * RoHS Compliant
 - * CC Important dimension
 - $\triangle G$ * Waterproof rate: IP68, unmated 1m/24h
 $\triangle H$ IP69K, mated
 - * Connector
Housing: Thermoplastic, Black
Pin: Copper alloy, Gold plated
 - * Shield: Metal
 - * Nut: Metal
 - * O-Ring: Rubber, Black
 - * Wire harness: UL1061
 - * For panel thickness max: 4.5mm
 - * O-Ring and nut are assembled on connectors
 - $\triangle I$ * Wire harness tolerance: 150mm < L ≤ 300mm: ±15mm
300mm < L ≤ 1000mm: ±20mm
1000mm < L ≤ 1500mm: +50/-0mm

UNIT: mm		
TOLERANCE		
.X	±0.25	
.XX	±0.1	
.XXX	±0.05	
ANGLES	±1°	

TITLE N SEN, M12 A -SHLD, SCREW RECEPTACLE, M, M, FI/PANEL CRIMP $\triangle F$			
SCALE 1:1	SIZE A4	SHEET 1 OF 2	
REV. I	WC-REV. A.5	CC : Inspection item	

Amphenol LTW
安費諾亮泰企業股份有限公司

ITEM NO	DRAWN BY Ruru	DATE 2024-06-20
DWG NO $\triangle G$ MSAS-XXPMMC-SF8BXX	CHECKED BY Rita	DATE 2024-06-20
CUSTOMER ALTW	APPROVED BY Fred	DATE 2024-06-20

THIS DOCUMENT IS SUBJECT TO CHANGE WITHOUT NOTICE. IT IS CONFIDENTIAL AND A PROPERTY OF AMPHENOL LTW. DISCLOSURE TO THIRD PARTY HAS TO BE AUTHORIZED BY AMPHENOL LTW.

△	17P	26	MSAS-17PMMC-SF8BXX
	5P	22	MSAS-05PMMC-SF8BXX
	4P		MSAS-04PMMC-SF8BXX
	3P		MSAS-03PMMC-SF8BXX
Contacts	AWG	Item No.	

△
MSAS-XXPMMC-SF8BXX

XX: No. Of Pin

△
15:150mm
20:200mm
∫
95:950mm
Cable Pitch Unit=50mm

A0:1000mm
∫
A5:1500mm
Cable Pitch Unit=100mm
Wire Length (L):150~1500 mm

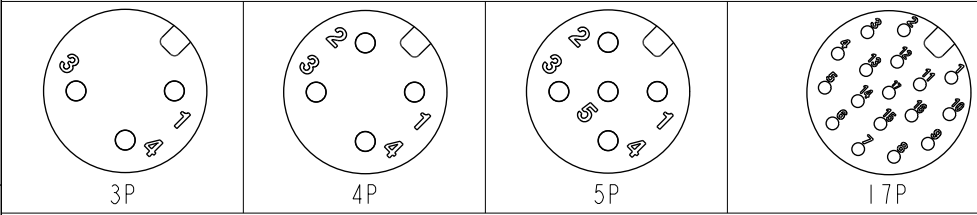
△

17	White/Gray	白/灰
16	Yellow/Brown	黃/棕
15	White/Yellow	白/黃
14	Brown/Green	棕/綠
13	White/Green	白/綠
12	Red/Blue	紅/藍
11	Gray/Pink	灰/粉
10	Violet	紫
9	Red	紅
8	Gray	灰
7	Black	黑
6	Yellow	黃
5	Pink	粉
4	Green	綠
3	White	白
2	Blue	藍
1	Brown	棕

5	--	黑	5	--	灰	5	Gray	灰
4	Black	黑	4	Black	黑	4	Black	黑
3	Blue	藍	3	Blue	藍	3	Blue	藍
2	--		2	White	白	2	White	白
1	Brown	棕	1	Brown	棕	1	Brown	棕

Pin # Wire Pin # Wire Pin # Wire Pin # Wire

Pin Out



Pin Assignments Front View

UNIT:mm			TITLE N SEN, M12 A -SHLD, SCREW RECEPTACLE, M, M, FI/PANEL CRIMP △
TOLERANCE .X ±0.25 .XX ±0.1 .XXX ±0.05 ANGLES ±1°	SCALE 1:1	SIZE A4	SHEET 2 OF 2
	REV. 1	WC-REV. A.5	QC: Inspection item

Amphenol LTW
安費諾亮泰企業股份有限公司

ITEM NO	DRAWN BY Ruru	DATE 2024-06-20
DWG NO △ MSAS-XXPMMC-SF8BXX	CHECKED BY Rita	DATE 2024-06-20
CUSTOMER ALTW	APPROVED BY Fred	DATE 2024-06-20