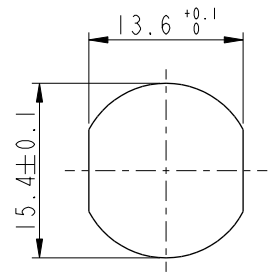


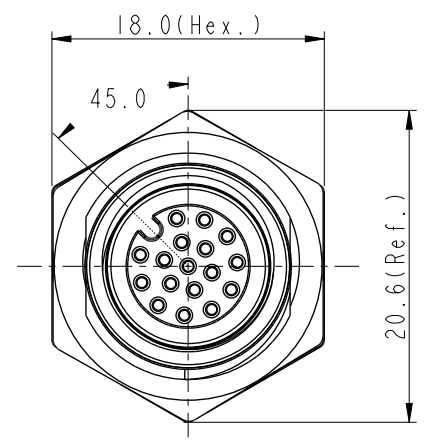
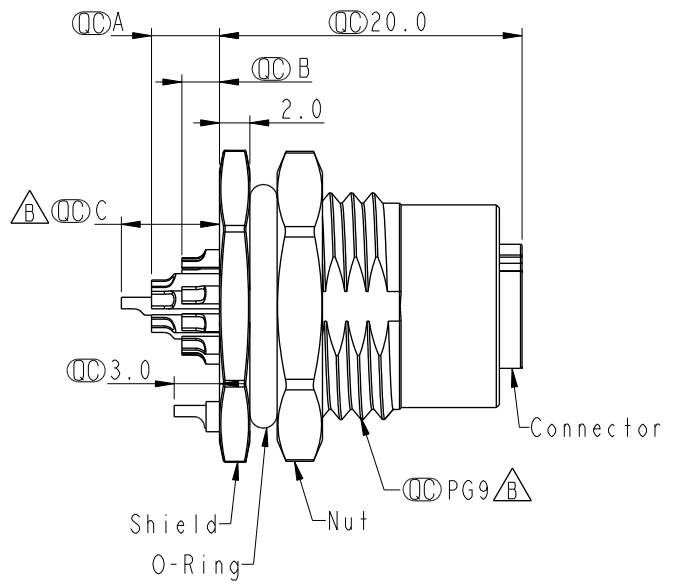
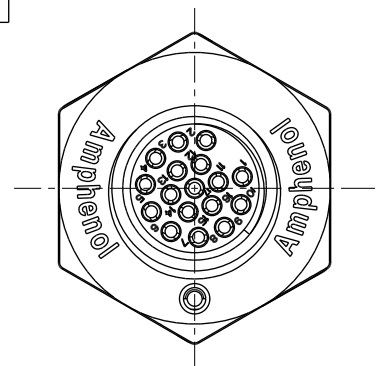
THIS DOCUMENT IS SUBJECT TO CHANGE WITHOUT NOTICE. IT IS CONFIDENTIAL AND A PROPERTY OF Amphenol LTW. DISCLOSURE TO THIRD PARTY HAS TO BE AUTHORIZED BY Amphenol LTW.

REV.	ECN NO.	DATE	SIGN	DESCRIPTION
C	C210309	2021/03/09	Ruru	X2
D	C221973	2022/12/26	Ruru	X1
E	C231034	2023/08/09	Ruru	X1



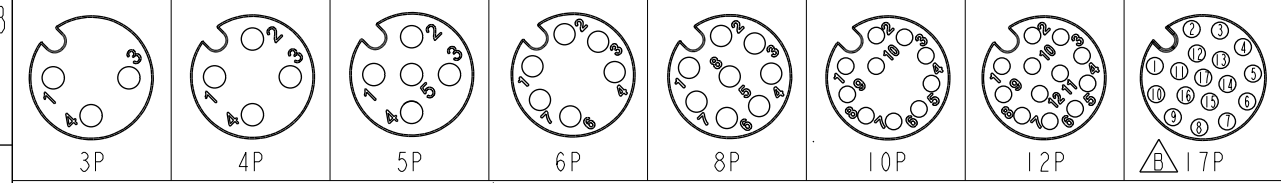
Recommended Panel Cut-Out

MSAS-XXPFFS-SF8001  
XX: No. Of Pin



MSAS-03PFFS-SF8001		2.5	
MSAS-04PFFS-SF8001		2.5	
MSAS-05PFFS-SF8001		2.5	
MSAS-06PFFS-SF8001		2.5	
MSAS-08PFFS-SF8001		2.5	
MSAS-10PFFS-SF8001	4.5	2.5	
MSAS-12PFFS-SF8001	4.5	2.5	
MSAS-17PFFS-SF8001	4.5	2.5	6.5
Item No.	A	B	C
	Pin伸出長度		

- Note:
- \* RoHS Compliant
  - \* Important dimension
  - \* Waterproof rate: IP68, unmated 1m/24h; IP69K, mated
  - \* Connector
    - Housing: Thermoplastic, Black
    - Pin: Copper alloy, Gold plated
    - O-Ring: Rubber, Green
  - \* Shield: Metal
  - \* Nut: Metal
  - \* O-Ring: Rubber, Black
  - \* For panel thickness max: 4.5mm
  - \* Nut is packed separately in pe bag



Pin Assignment Front View

UNIT: mm			TITLE N SEN, M12 A -SHLD, SCREW RECEPTACLE, F, F, SOLDER
TOLERANCE	.X ±0.25	.XX ±0.1	SCALE 3:2
.XXX ±0.05	ANGLES ±1°	REV. E	SIZE A4
		WC-REV. A.5	SHEET 1 OF 1
		CC: Inspection item	

**Amphenol LTW**  
安費諾亮泰企業股份有限公司

ITEM NO.	MSAS-XXPFFS-SF8001	DWG NO.	MSAS-XXPFFS-SF8001
DRAWN BY	Feng_Li	CHECKED BY	Jinhai
DATE	2017-05-22	DATE	2017-05-22
CUSTOMER	ALTW	APPROVED BY	Jerry
		DATE	2017-05-22