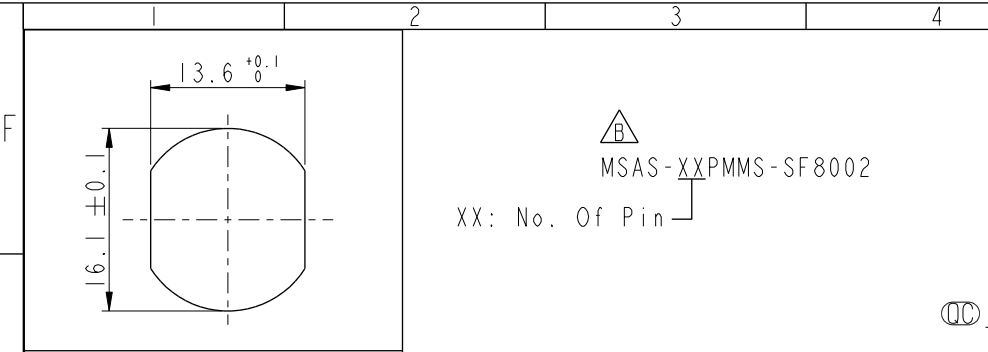


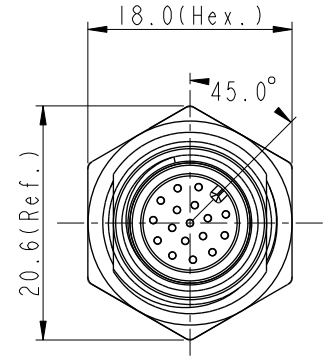
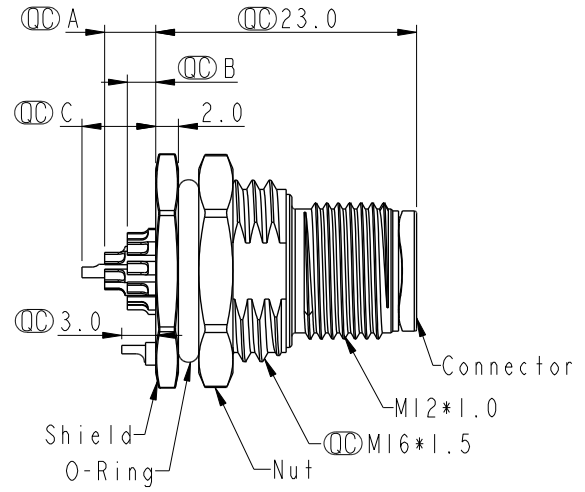
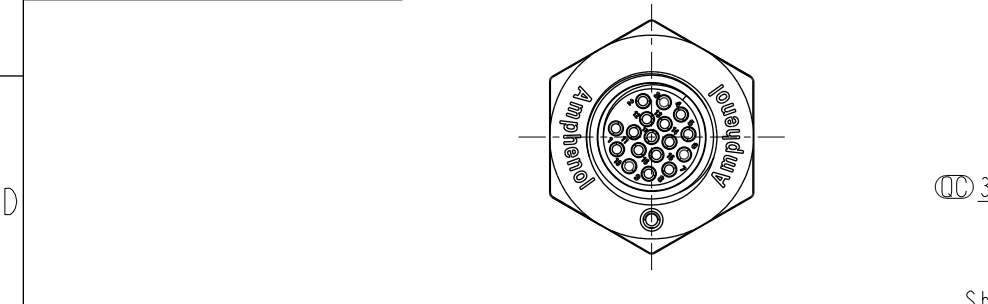
THIS DOCUMENT IS SUBJECT TO CHANGE WITHOUT NOTICE. IT IS CONFIDENTIAL AND A PROPERTY OF Amphenol LTW. DISCLOSURE TO THIRD PARTY HAS TO BE AUTHORIZED BY Amphenol LTW.

REV.	ECN NO.	DATE	SIGN	DESCRIPTION
E	C210309	2021/03/10	Ruru	△E X2
F	C221973	2022/12/26	Ruru	△F X1
G	C231034	2023/08/09	Ruru	△G X1



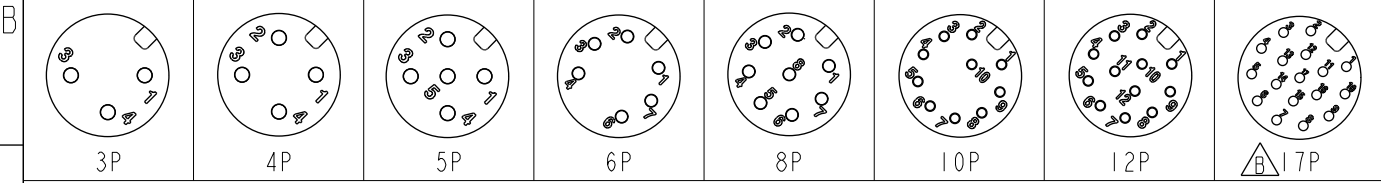
Recommended Panel Cut-Out

△B MSAS-XXPMMS-SF8002
XX: No. Of Pin



MSAS-03PMMS-SF8002		2.5	
MSAS-04PMMS-SF8002		2.5	
MSAS-05PMMS-SF8002		2.5	
MSAS-06PMMS-SF8002		2.5	
MSAS-08PMMS-SF8002		2.5	
MSAS-10PMMS-SF8002	4.5	2.5	
MSAS-12PMMS-SF8002	4.5	2.5	
MSAS-17PMMS-SF8002	4.5	2.5	6.5

△C Item No.	Pin伸出長度		
	A	B	C



Pin Assignment Front View

- △B△E Note:
- * RoHS Compliant
 - * (CC) Important dimension
 - △F * Waterproof rate: IP68, unmated 1m/24h
△G IP69K, mated
 - * Connector
 - Housing: Thermoplastic, Black
 - Pin: Copper alloy, Gold plated
 - Shield: Metal
 - Nut: Metal
 - O-Ring: Rubber, Black
 - For panel thickness max: 4.5mm
 - Nut is packed separately in pe bag

UNIT: mm			TITLE N SEN, M12 A -SHLD, SCREW RECEPTACLE, M, M, SOLDER △E
TOLERANCE .X ±0.25 .XX ±0.1 .XXX ±0.05 ANGLES ±1°	SCALE 1:1	SIZE A4	SHEET 1 OF 1
REV. G	WC-REV. .0	(CC): Inspection item	

Amphenol LTW
安費諾亮泰企業股份有限公司

ITEM NO.	DRAWN BY Feng_Li	DATE 2017-05-22
DWG NO. △B MSAS-XXPMMS-SF8002	CHECKED BY Jinhai	DATE 2017-05-22
CUSTOMER ALTW	APPROVED BY Jerry	DATE 2017-05-22