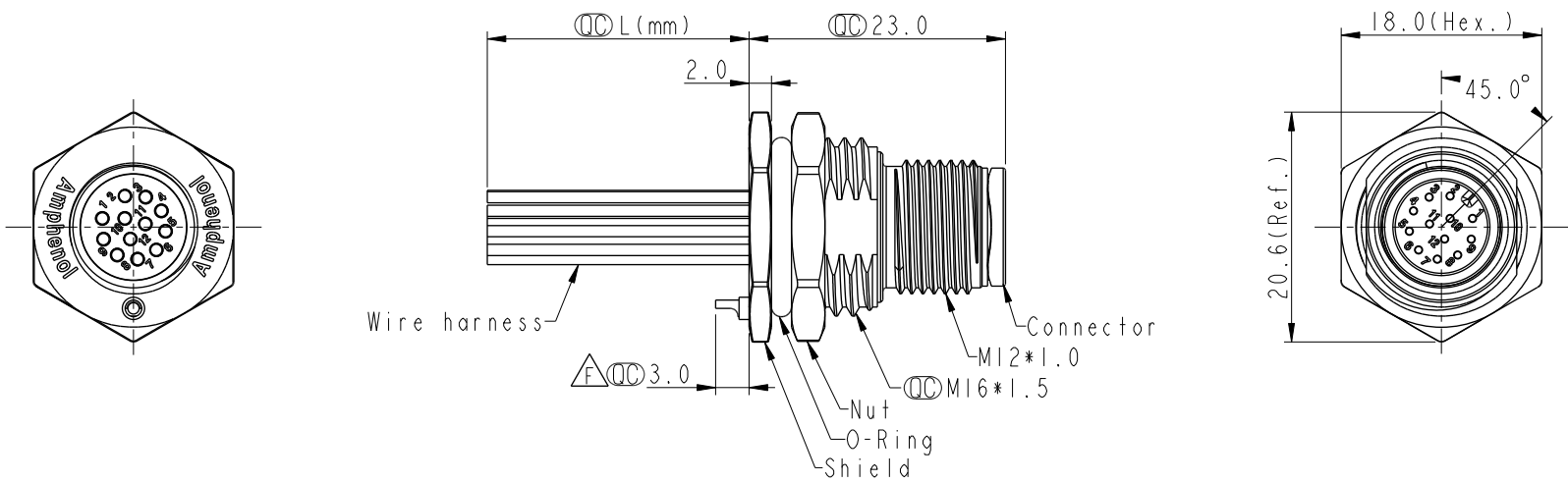
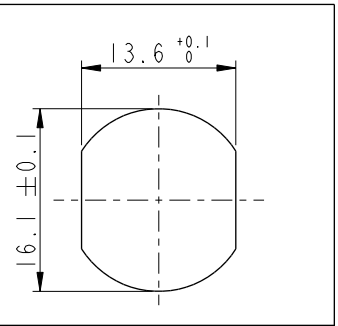


THIS DOCUMENT IS SUBJECT TO CHANGE WITHOUT NOTICE. IT IS CONFIDENTIAL AND A PROPERTY OF Amphenol LTW. DISCLOSURE TO THIRD PARTY HAS TO BE AUTHORIZED BY Amphenol LTW.

REV.	ECN NO.	DATE	SIGN	DESCRIPTION
G	C221928	2022/12/21	Ruru	$\triangle G$ X1
H	C231033	2023/08/08	Ruru	$\triangle H$ X1
I	C240701	2024/06/21	Ruru	$\triangle I$ X2



- Note: $\triangle B$ $\triangle C$ $\triangle D$ $\triangle E$ $\triangle F$
- * RoHS Compliant
 - * $\text{\textcircled{D}}$ Important dimension
 - $\triangle G$ * Waterproof rate: IP68, unmated 1m/24h
 $\triangle H$ IP69K, mated
 - * Connector
Housing: Thermoplastic, Black
Pin: Copper alloy, Gold plated
 - * Shield: Metal
 - * Nut: Metal
 - * O-Ring: Rubber, Black
 - * Wire harness: UL1061
 - * For panel thickness max: 4.5mm
 - * O-Ring and nut are assembled on connectors
 - $\triangle I$ * Wire harness tolerance: 150mm < L ≤ 300mm: ±15mm
300mm < L ≤ 1000mm: ±20mm
1000mm < L ≤ 1500mm: +50/-0mm



Recommended Panel Cut-Out

UNIT: mm	
TOLERANCE	
.X	±0.25
.XX	±0.1
.XXX	±0.05
ANGLES	±1°


TITLE N SEN, M12 A -SHLD, SCREW RECEPTACLE, M, M, SOLDER $\triangle F$			
SCALE 1:1	SIZE A4	SHEET 1 OF 2	
REV. 1	WC-REV. A.5	$\text{\textcircled{C}}$: Inspection item	


Amphenol LTW
安費諾亮泰企業股份有限公司

ITEM NO	DRAWN BY Ruru	DATE 2024-06-21
DWG NO $\triangle D$ MSAS-XXPMMS-SF8CXX	CHECKED BY Rita	DATE 2024-06-21
CUSTOMER ALTW	APPROVED BY Fred	DATE 2024-06-21

THIS DOCUMENT IS SUBJECT TO CHANGE WITHOUT NOTICE. IT IS CONFIDENTIAL AND A PROPERTY OF AMPHENOL LTW. DISCLOSURE TO THIRD PARTY HAS TO BE AUTHORIZED BY AMPHENOL LTW.

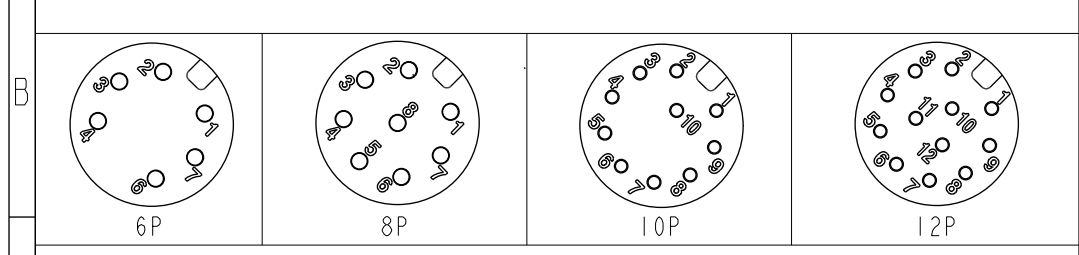
12P	26	MSAS-12PMMS-SF8CXX
10P		MSAS-10PMMS-SF8CXX
8P	24	MSAS-08PMMS-SF8CXX
6P		MSAS-06PMMS-SF8CXX
Contacts	AWG	Item No.


 MSAS-XXPMMS-SF8CXX
 XX: No. Of Pin


 15: 150mm
 20: 200mm
 }
 95: 950mm
 Cable Pitch Unit=50mm

 A0: 1000mm
 }
 A5: 1500mm
 Cable Pitch Unit=100mm
 Wire Length (L): 150~1500 mm

8	--	8	Red	紅	12	--	12	Red/Blue	紅/藍
7	Blue	7	Blue	藍	11	--	11	Gray/Pink	灰/粉
6	Pink	6	Pink	粉	10	Violet	10	Violet	紫
5	-	5	Gray	灰	9	Black	9	Black	黑
4	Yellow	4	Yellow	黃	8	Red	8	Red	紅
3	Green	3	Green	綠	7	Blue	7	Blue	藍
2	Brown	2	Brown	棕	6	Pink	6	Pink	粉
1	White	1	White	白	5	Gray	5	Gray	灰
Pin #	Wire	Pin #	Wire		Pin #	Wire	Pin #	Wire	



UNIT: mm  TOLERANCE .X ±0.25 .XX ±0.1 .XXX ±0.05 ANGLES ±1°	TITLE N SEN, M12 A -SHLD, SCREW RECEPTACLE, M, M, SOLDER 		<h1 style="margin: 0;">Amphenol LTW</h1> <h2 style="margin: 0;">安費諾亮泰企業股份有限公司</h2>		ITEM NO MSAS-XXPMMS-SF8CXX	DRAWN BY Ruru	DATE 2024-06-21
	SCALE 1:1 SIZE A4 SHEET 2 OF 2		 CUSTOMER ALTW		CHECKED BY Rita	DATE 2024-06-21	
	REV. 1 WC-REV. A.5  Inspection item			APPROVED BY Fred	DATE 2024-06-21		