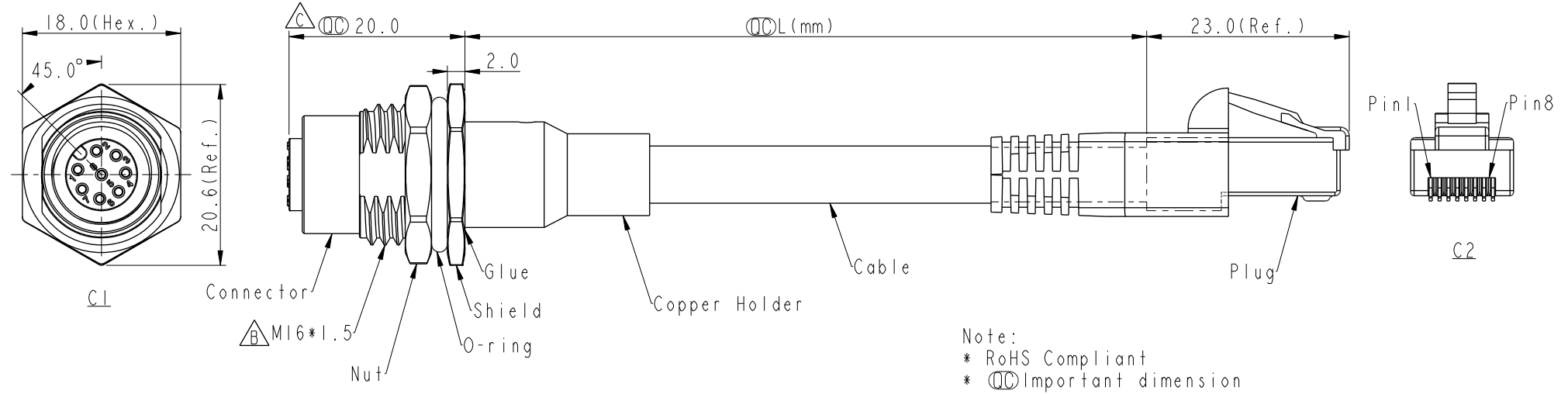


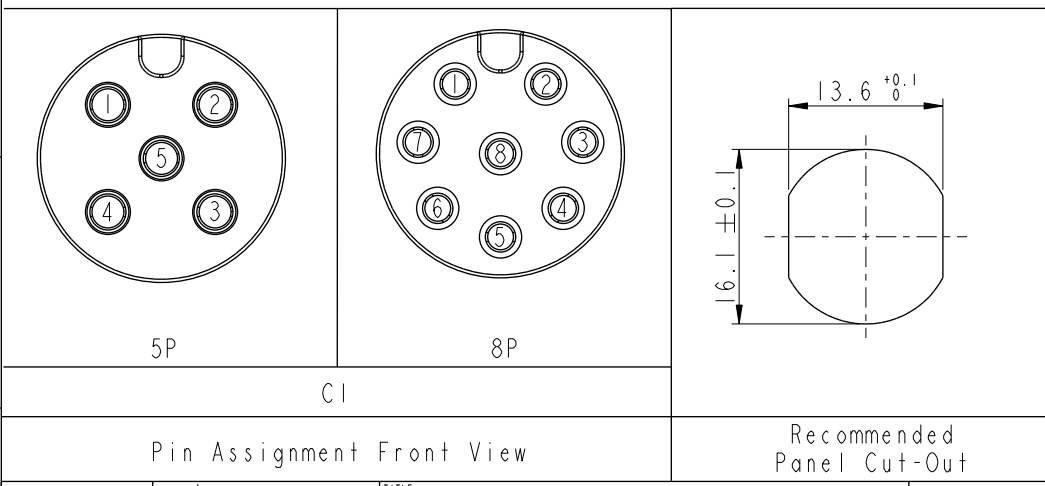
THIS DOCUMENT IS SUBJECT TO CHANGE WITHOUT NOTICE. IT IS CONFIDENTIAL AND A PROPERTY OF AMPHENOL LTW. DISCLOSURE TO THIRD PARTY HAS TO BE AUTHORIZED BY AMPHENOL LTW.

REV.	ECN NO.	DATE	SIGN	DESCRIPTION
D	C230018	2023/01/05	Vicky	$\triangle D$ XI
E	C230057	2023/01/18	Jiahe Lin	$\triangle E$ XI
F	C231037	2023/08/09	Vicky	$\triangle F$ XI

MSAS-XXPFFJ-SF8CXX
 XX: No. Of Pin
 XX: L=0~05Meters
 A5: L=0.5Meters
 01: L=1Meters
 02: L=2Meters
 :
 05: L=5Meters



- Note:
- * RoHS Compliant
 - * \odot Important dimension
 - * C1
 - $\triangle D$ Waterproof rate: IP68, unmated 1m/24h
 - $\triangle E$ IP69K, mated
 - Housing: Thermoplastic, Black
 - Pin: Copper alloy, Gold plated
 - O-Ring1: Rubber, Black
 - O-Ring2: Rubber, Green
 - Shield: Metal
 - Nut: Metal
 - * C2
 - Waterproof rate: Non-Waterproof
 - Plug: RJ45, Shielded
 - * For panel thickness max: 4.5mm
 - $\triangle E$ * O-Ring and nut are assembled on connectors
 - * Cable: Cat5E, PU Jacket, Black
 - * Cable length tolerance: 0.5M < L ≤ 1M: +60/-0 mm
 1M < L ≤ 3M: +120/-0 mm
 3M < L ≤ 5M: +160/-0 mm



UNIT: mm	\odot	∇	TITLE N SEN, M12 A -SHLD, SCREW RECEPTACLE, F, F, RJ PLUG
TOLERANCE .X ±0.25 .XX ±0.1 .XXX ±0.05 ANGLES ±1°	SCALE 2:1	SIZE A4	SHEET 1 OF 2
REV. F	WC-REV.	\odot : Inspection item	

Amphenol LTW
 安費諾亮泰企業股份有限公司

ITEM NO.	DRAWN BY Jiahe Lin	DATE 2022-06-22
DWG NO. MSAS-XXPFFJ-SF8CXX	CHECKED BY Allen Pan	DATE 2022-06-22
CUSTOMER ALTW	APPROVED BY Fred Lee	DATE 2022-06-22

THIS DOCUMENT IS SUBJECT TO CHANGE WITHOUT NOTICE. IT IS CONFIDENTIAL AND A PROPERTY OF Amphenol LTW. DISCLOSURE TO THIRD PARTY HAS TO BE AUTHORIZED BY Amphenol LTW.

5	6	7	8
8P	6.5	24#*4P+AL/MY+D	MSAS-08PFFJ-SF8CXX
5P	6.2	22#*2P+AL/MY+D	MSAS-05PFFJ-SF8CXX
Contacts	Cable OD	Cable Spec	Item No.

Shield	Drain	地線	Shield
3	Brown	棕	8
2	White/Brown	白/棕	7
8	Green	綠	6
5	White/Green	白/綠	3
7	Blue	藍	4
1	White/Blue	白/藍	5
4	Orange	橘	2
6	White/Orange	白/橘	1
CI	Wire Color		C2

Shield	Drain	地線	Shield
5	Green	綠	6
4	White/Green	白/綠	3
2	Orange	橘	2
3	White/Orange	白/橘	1
CI	Wire Color		C2

5P Pin Out

8P Pin Out

UNIT:mm

TOLERANCE
 .X ±0.25
 .XX ±0.1
 .XXX ±0.05
 ANGLES ±1°

TITLE
N SEN, M12 A -SHLD, SCREW RECEPTACLE, F, F, RJ PLUG

SCALE 2:1 SIZE A4 SHEET 2 OF 2

REV. F WC-REV. Inspection item

Amphenol LTW
 安費諾亮泰企業股份有限公司

ITEM NO
MSAS-XXPFFJ-SF8CXX

DWG NO
ALTW

CUSTOMER

DRAWN BY
Jiahe Lin

CHECKED BY
Allen Pan

APPROVED BY
Fred Lee

DATE
2022-06-22

DATE
2022-06-22

DATE
2022-06-22