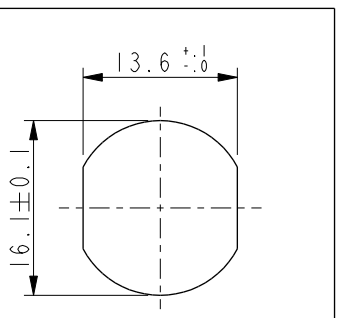
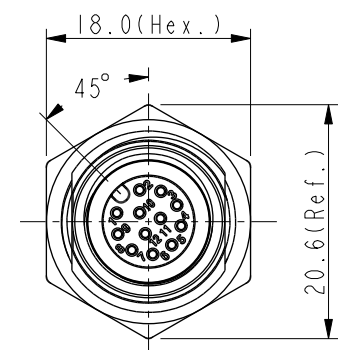
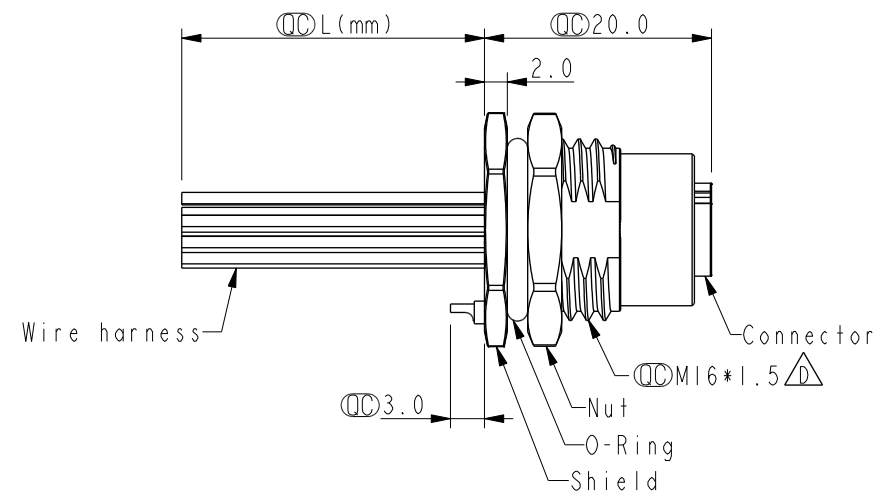
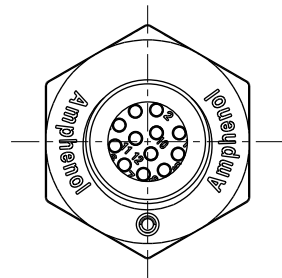


THIS DOCUMENT IS SUBJECT TO CHANGE WITHOUT NOTICE. IT IS CONFIDENTIAL AND A PROPERTY OF Amphenol LTW. DISCLOSURE TO THIRD PARTY HAS TO BE AUTHORIZED BY Amphenol LTW.

REV.	ECN NO.	DATE	SIGN	DESCRIPTION
F	C221928	2022/12/20	Ruru	$\triangle F$ XI
G	C231033	2023/08/08	Ruru	$\triangle G$ XI
H	C240701	2024/06/20	Ruru	$\triangle H$ X2



Recommended Panel Cut-Out

- Note: $\triangle B$ $\triangle C$ $\triangle D$ $\triangle E$
- * RoHS Compliant
 - * \odot Important dimension
 - $\triangle F$ * Waterproof rate: IP68, unmated 1m/24h
 $\triangle G$ IP69K, mated
 - * Connector
 - Housing: Thermoplastic, Black
 - Pin: Copper alloy, Gold plated
 - O-Ring: Rubber, Green
 - * Shield: Metal
 - * Nut: Metal
 - * O-Ring: Rubber, Black
 - * Wire harness: UL1061
 - * For panel thickness max: 4.5mm
 - * O-Ring and nut are assembled on connectors
 - $\triangle H$ * Wire harness tolerance: 150mm < L ≤ 300mm: ±15mm
300mm < L ≤ 1000mm: ±20mm
1000mm < L ≤ 1500mm: +50/-0mm

UNIT: mm	\odot	∇	TITLE	N SEN, M12 A -SHLD, SCREW RECEPTACLE, F, F, SOLDER $\triangle D$		
TOLERANCE	.X ±0.25	.XX ±0.1	SCALE	3:2	SIZE	A4
	.XXX ±0.05	ANGLES ±1°	REV.	H	WC-REV.	A.3
					\odot : Inspection item	SHEET 1 OF 2

Amphenol LTW
安費諾亮泰企業股份有限公司

ITEM NO	DWG NO	CHECKED BY	DATE
	$\triangle D$ MSAS-XXPFFS-SF8CXX	Rita	2024-06-20
CUSTOMER	APPROVED BY	Fred	DATE
ALTW			2024-06-20

THIS DOCUMENT IS SUBJECT TO CHANGE WITHOUT NOTICE. IT IS CONFIDENTIAL AND A PROPERTY OF AMPHENOL LTW. DISCLOSURE TO THIRD PARTY HAS TO BE AUTHORIZED BY AMPHENOL LTW.

12P	26	MSAS-12PFFS-SF8CXX
10P		MSAS-10PFFS-SF8CXX
8P	24	MSAS-08PFFS-SF8CXX
6P		MSAS-06PFFS-SF8CXX
Contacts	AWG	Item No.



MSAS-XXPFFS-SF8CXX

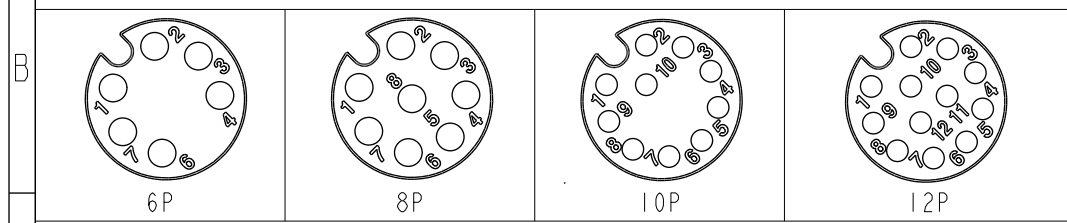
XX: No. Of Pin



15: 150mm
 20: 200mm
 ↓
 95: 950mm
 Cable Pitch Unit: 50mm

 A0: 1000mm
 ↓
 A5: 1500mm
 Cable Pitch Unit: 100mm
 Wire Length(L): 150~1500mm

8	--		8	Red	紅	8	Red	紅	8	Red	紅	8	Red	紅	8	Red	紅	12	--		12	Red/Blue	紅/藍
7	Blue	藍	7	Blue	藍	7	Blue	藍	7	Blue	藍	7	Blue	藍	7	Blue	藍	11	--		11	Gray/Pink	灰/粉
6	Pink	粉	6	Pink	粉	6	Pink	粉	6	Pink	粉	6	Pink	粉	6	Pink	粉	10	Violet	紫	10	Violet	紫
5	--		5	Gray	灰	5	Gray	灰	5	Gray	灰	5	Gray	灰	5	Gray	灰	9	Black	黑	9	Black	黑
4	Yellow	黃	4	Yellow	黃	4	Yellow	黃	4	Yellow	黃	4	Yellow	黃	4	Yellow	黃	8	Red	紅	8	Red	紅
3	Green	綠	3	Green	綠	3	Green	綠	3	Green	綠	3	Green	綠	3	Green	綠	7	Blue	藍	7	Blue	藍
2	Brown	棕	2	Brown	棕	2	Brown	棕	2	Brown	棕	2	Brown	棕	2	Brown	棕	6	Pink	粉	6	Pink	粉
1	White	白	1	White	白	1	White	白	1	White	白	1	White	白	1	White	白	5	Gray	灰	5	Gray	灰
																		4	Yellow	黃	4	Yellow	黃
																		3	Green	綠	3	Green	綠
																		2	Brown	棕	2	Brown	棕
																		1	White	白	1	White	白



UNIT: mm		TITLE
TOLERANCE		N SEN, M12 A -SHLD, SCREW RECEPTACLE, F, F, SOLDER
.X ±0.25		SCALE 3:2
.XX ±0.1		SIZE A4
.XXX ±0.05		SHEET 2 OF 2
ANGLES ±1°		REV. H
		WC-REV. A.3
		QC: Inspection item

Amphenol LTW
 安費諾亮泰企業股份有限公司

ITEM NO	DRAWN BY	DATE
	Ruru	2024-06-20
DWG NO	CHECKED BY	DATE
MSAS-XXPFFS-SF8CXX	Rita	2024-06-20
CUSTOMER	APPROVED BY	DATE
ALTW	Fred	2024-06-20