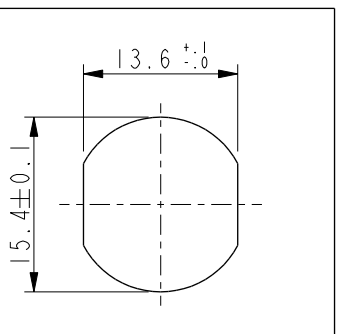
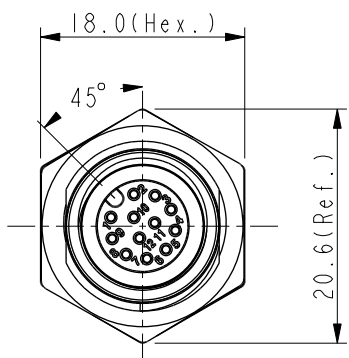
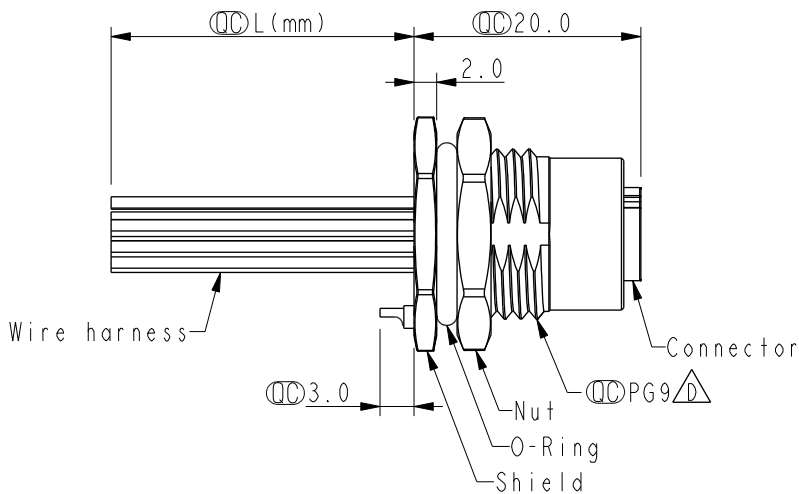
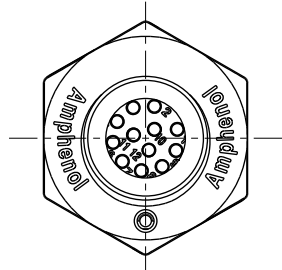


REV.	ECN NO.	DATE	SIGN	DESCRIPTION
F	C221928	2022/12/20	Ruru	△ F XI
G	C231033	2023/08/08	Ruru	△ G XI
H	C240701	2024/06/20	Ruru	△ H X2



- Note: △ B △ C △ D △ E
- \* RoHS Compliant
  - \* ∅ Important dimension
  - △ \* Waterproof rate: IP68, unmated 1m/24h  
△ G IP69K, mated
  - \* Connector  
Housing: Thermoplastic, Black  
Pin: Copper alloy, Gold plated  
O-Ring: Rubber, Green  
Shield: Metal
  - \* Nut: Metal
  - \* O-Ring: Rubber, Black
  - \* Wire harness: UL1061
  - \* For panel thickness max: 4.5mm
  - \* O-Ring and nut are assembled on connectors
  - △ H \* Wire harness tolerance: 150mm < L ≤ 300mm: ±15mm  
300mm < L ≤ 1000mm: ±20mm  
1000mm < L ≤ 1500mm: +50/-0mm

Recommended Panel Cut-Out

UNIT: mm	
TOLERANCE	
.X	±0.25
.XX	±0.1
.XXX	±0.05
ANGLES	±1°


TITLE N SEN, M12 A -SHLD, SCREW RECEPTACLE, F, F, SOLDER △ D			
SCALE 3:2	SIZE A4	SHEET 1 OF 2	
REV. H	WC-REV. A.3	∅: Inspection item	

**Amphenol LTW**  
安費諾亮泰企業股份有限公司

ITEM NO	DRAWN BY Ruru	DATE 2024-06-20
DWG NO △ MSAS-XXPFFS-SF8BXX	CHECKED BY Rita	DATE 2024-06-20
CUSTOMER ALTW	APPROVED BY Fred	DATE 2024-06-20

THIS DOCUMENT IS SUBJECT TO CHANGE WITHOUT NOTICE. IT IS CONFIDENTIAL AND A PROPERTY OF Amphenol LTW. DISCLOSURE TO THIRD PARTY HAS TO BE AUTHORIZED BY Amphenol LTW.

THIS DOCUMENT IS SUBJECT TO CHANGE WITHOUT NOTICE. IT IS CONFIDENTIAL AND A PROPERTY OF Amphenol LTW. DISCLOSURE TO THIRD PARTY HAS TO BE AUTHORIZED BY Amphenol LTW.

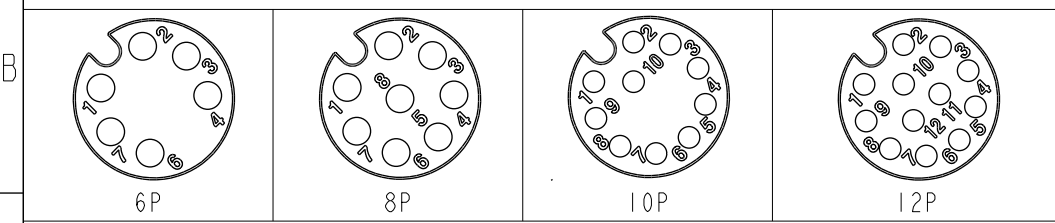
	12P	26	MSAS-12PFFS-SF8BXX
	10P		MSAS-10PFFS-SF8BXX
	8P	24	MSAS-08PFFS-SF8BXX
	6P		MSAS-06PFFS-SF8BXX
Contacts	AWG	Item No.	

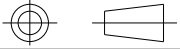

  
 MSAS-XXPFFS-SF8BXX

XX: No. Of Pin


  
 15:150mm  
 20:200mm  
 }  
 95:950mm  
 Cable Pitch Unit:50mm  
  
 A0:1000mm  
 }  
 A5:1500mm  
 Cable Pitch Unit:100mm  
 Wire Length(L):150~1500mm

8	--		8	Red	紅	8	--		12	--		12	Red/Blue	紅/藍
7	Blue	藍	7	Blue	藍	7	Blue	藍	11	--		11	Gray/Pink	灰/粉
6	Pink	粉	6	Pink	粉	6	Pink	粉	10	Violet	紫	10	Violet	紫
5	--		5	Gray	灰	5	Gray	灰	9	Black	黑	9	Black	黑
4	Yellow	黃	4	Yellow	黃	4	Yellow	黃	8	Red	紅	8	Red	紅
3	Green	綠	3	Green	綠	3	Green	綠	7	Blue	藍	7	Blue	藍
2	Brown	棕	2	Brown	棕	2	Brown	棕	6	Pink	粉	6	Pink	粉
1	White	白	1	White	白	1	White	白	5	Gray	灰	5	Gray	灰
									4	Yellow	黃	4	Yellow	黃
									3	Green	綠	3	Green	綠
									2	Brown	棕	2	Brown	棕
									1	White	白	1	White	白
Pin #	Wire		Pin #	Wire		Pin #	Wire		Pin #	Wire		Pin #	Wire	



UNIT:mm		TITLE N SEN, M12 A -SHLD, SCREW RECEPTACLE, F, F, SOLDER 
TOLERANCE .X ±0.25 .XX ±0.1 .XXX ±0.05 ANGLES ±1°	SCALE 3:2 SIZE A4 SHEET 2 OF 2	REV. H WC-REV. A.3 QC: Inspection item

**Amphenol LTW**  
 安費諾亮泰企業股份有限公司

ITEM NO	DRAWN BY	DATE
	Ruru	2024-06-20
DWG NO	CHECKED BY	DATE
 MSAS-XXPFFS-SF8BXX	Rita	2024-06-20
CUSTOMER	APPROVED BY	DATE
ALTW	Fred	2024-06-20