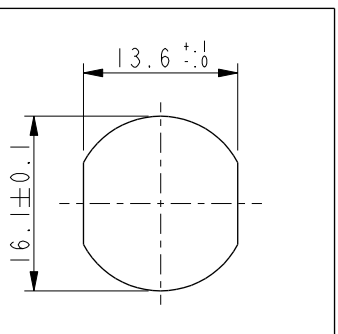
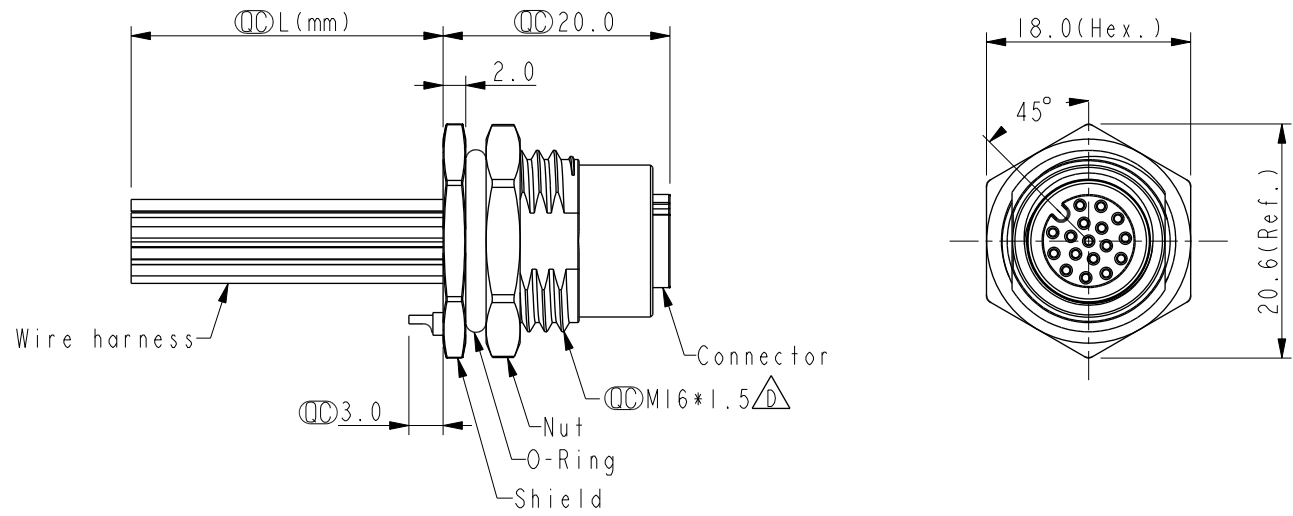
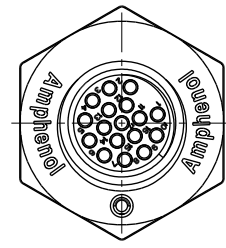


THIS DOCUMENT IS SUBJECT TO CHANGE WITHOUT NOTICE. IT IS CONFIDENTIAL AND A PROPERTY OF Amphenol LTW. DISCLOSURE TO THIRD PARTY HAS TO BE AUTHORIZED BY Amphenol LTW.

REV.	ECN NO.	DATE	SIGN	DESCRIPTION
F	C221879	2022/12/20	Ruru	$\triangle F$ X1
G	C231032	2023/08/07	Ruru	$\triangle G$ X1
H	C240701	2024/06/20	Ruru	$\triangle H$ X2



- Note: $\triangle B \triangle C \triangle D \triangle E$
- * RoHS Compliant
 - * CC Important dimension
 - $\triangle F$ * Waterproof rate: IP68, unmated 1m/24h
 $\triangle G$ IP69K, mated
 - * Connector
 - Housing: Thermoplastic, Black
 - Pin: Copper alloy, Gold plated
 - O-Ring: Rubber, Green
 - * Shield: Metal
 - * Nut: Metal
 - * O-Ring: Rubber, Black
 - * Wire harness: UL1061
 - * For panel thickness max: 4.5mm
 - * O-Ring and nut are assembled on connectors
 - $\triangle H$ * Wire harness tolerance: 150mm < L ≤ 300mm: ±15mm
 300mm < L ≤ 1000mm: ±20mm
 1000mm < L ≤ 1500mm: +50/-0mm

Recommended Panel Cut-Out


UNIT: mm		
TOLERANCE		
.X	±0.25	
.XX	±0.1	
.XXX	±0.05	
ANGLES	±1°	

TITLE N SEN, M12 A -SHLD, SCREW RECEPTACLE, F, F, FI/PANEL CRIMP			$\triangle D$ $\triangle E$
SCALE 3:2	SIZE A4	SHEET 1 OF 2	
REV. H	WC-REV. A.3	CC : Inspection item	

Amphenol LTW
安費諾亮泰企業股份有限公司

ITEM NO	DRAWN BY Ruru	DATE 2024-06-20
DWG NO $\triangle A$ MSAS-XXPFCC-SF8CXX	CHECKED BY Rita	DATE 2024-06-20
CUSTOMER ALTW	APPROVED BY Fred	DATE 2024-06-20

THIS DOCUMENT IS SUBJECT TO CHANGE WITHOUT NOTICE. IT IS CONFIDENTIAL AND A PROPERTY OF Amphenol LTW. DISCLOSURE TO THIRD PARTY HAS TO BE AUTHORIZED BY Amphenol LTW.

		7	8
	17P	26	MSAS-17PFFC-SF8CXX
	5P	22	MSAS-05PFFC-SF8CXX
	4P		MSAS-04PFFC-SF8CXX
	3P		MSAS-03PFFC-SF8CXX
Contacts	AWG	Item No.	


 MSAS-XXPFFC-SF8CXX

XX: No. Of Pin


 15: 150mm
 20: 200mm
 95: 950mm
 Cable Pitch Unit: 50mm

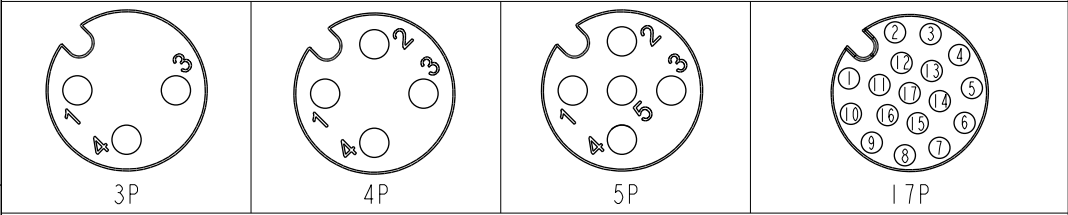
A0: 1000mm
 A5: 1500mm
 Cable Pitch Unit: 100mm
 Wire Length(L): 150~1500mm

17	White/Gray	白/灰
16	Yellow/Brown	黃/棕
15	White/Yellow	白/黃
14	Brown/Green	棕/綠
13	White/Green	白/綠
12	Red/Blue	紅/藍
11	Gray/Pink	灰/粉
10	Violet	紫
9	Red	紅
8	Gray	灰
7	Black	黑
6	Yellow	黃
5	Pink	粉
4	Green	綠
3	White	白
2	Blue	藍
1	Brown	棕



5	--	5	--	5	Gray	灰
4	Black	4	Black	4	Black	黑
3	Blue	3	Blue	3	Blue	藍
2	--	2	White	2	White	白
1	Brown	1	Brown	1	Brown	棕

Pin # Wire Pin # Wire Pin # Wire Pin # Wire

Pin Out



Pin Assignments Front View

UNIT: mm			TITLE N SEN, M12 A -SHLD, SCREW RECEPTACLE, F, F, FI/PANEL CRIMP
TOLERANCE .X ±0.25 .XX ±0.1 .XXX ±0.05 ANGLES ±1°	SCALE 3:2	SIZE A4	SHEET 2 OF 2
	REV. H	WC-REV. A.3	QC: Inspection item

Amphenol LTW
 安費諾亮泰企業股份有限公司

ITEM NO	DRAWN BY Ruru	DATE 2024-06-20
DWG NO MSAS-XXPFFC-SF8CXX	CHECKED BY Rita	DATE 2024-06-20
CUSTOMER ALTW	APPROVED BY Fred	DATE 2024-06-20