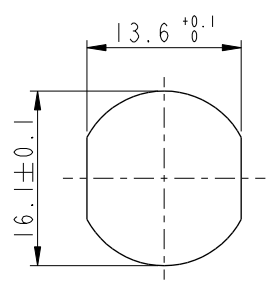


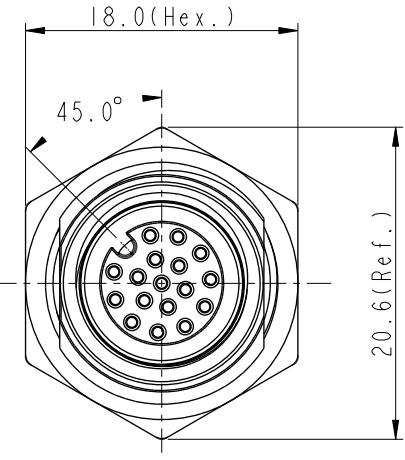
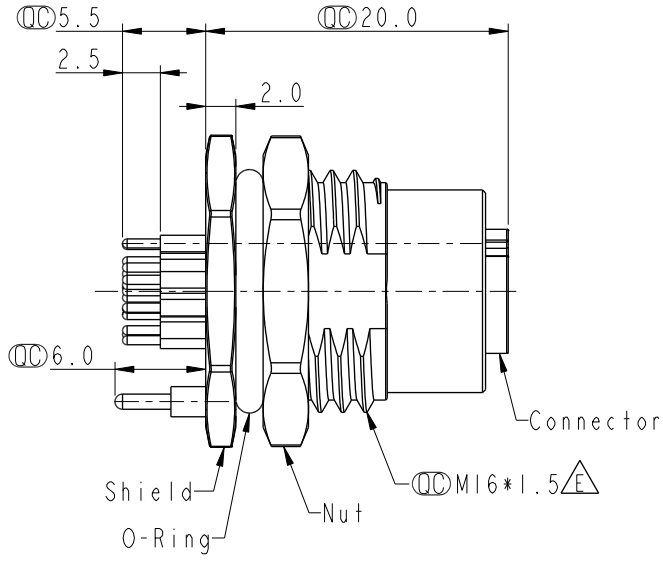
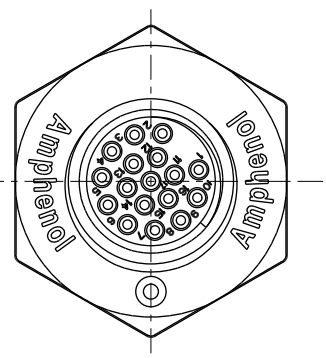
THIS DOCUMENT IS SUBJECT TO CHANGE WITHOUT NOTICE. IT IS CONFIDENTIAL AND A PROPERTY OF Amphenol LTW. DISCLOSURE TO THIRD PARTY HAS TO BE AUTHORIZED BY Amphenol LTW.

REV.	ECN NO.	DATE	SIGN	DESCRIPTION
F	C210309	2021/03/09	Ruru	X3
G	C221973	2022/12/26	Ruru	X1
H	C231034	2023/08/09	Ruru	X1

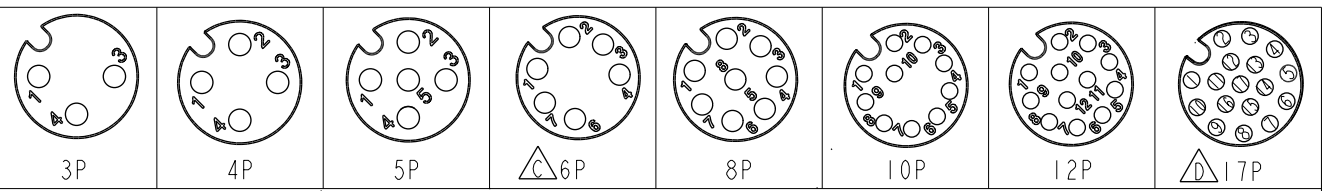


Recommended Panel Cut-Out

MSAS-XXPFFP-SF8002  
 XX: No. Of Pin



- Note:**
- \* RoHS Compliant
  - \*  $\varnothing$  Important dimension
  - \*  $\triangle$  Waterproof rate: IP68, unmated 1m/24h  
 $\triangle$  IP69K, mated
  - \* Connector
    - Housing: Thermoplastic, Black
    - Pin: Copper alloy, Gold plated
    - O-Ring: Rubber, Green
  - \* Shield: Metal
  - \* Nut: Metal
  - \* O-Ring: Rubber, Black
  - \* For panel thickness max: 4.5mm
  - \* Nut is packed separately in pe bag



Pin Assignment Front View

UNIT: mm

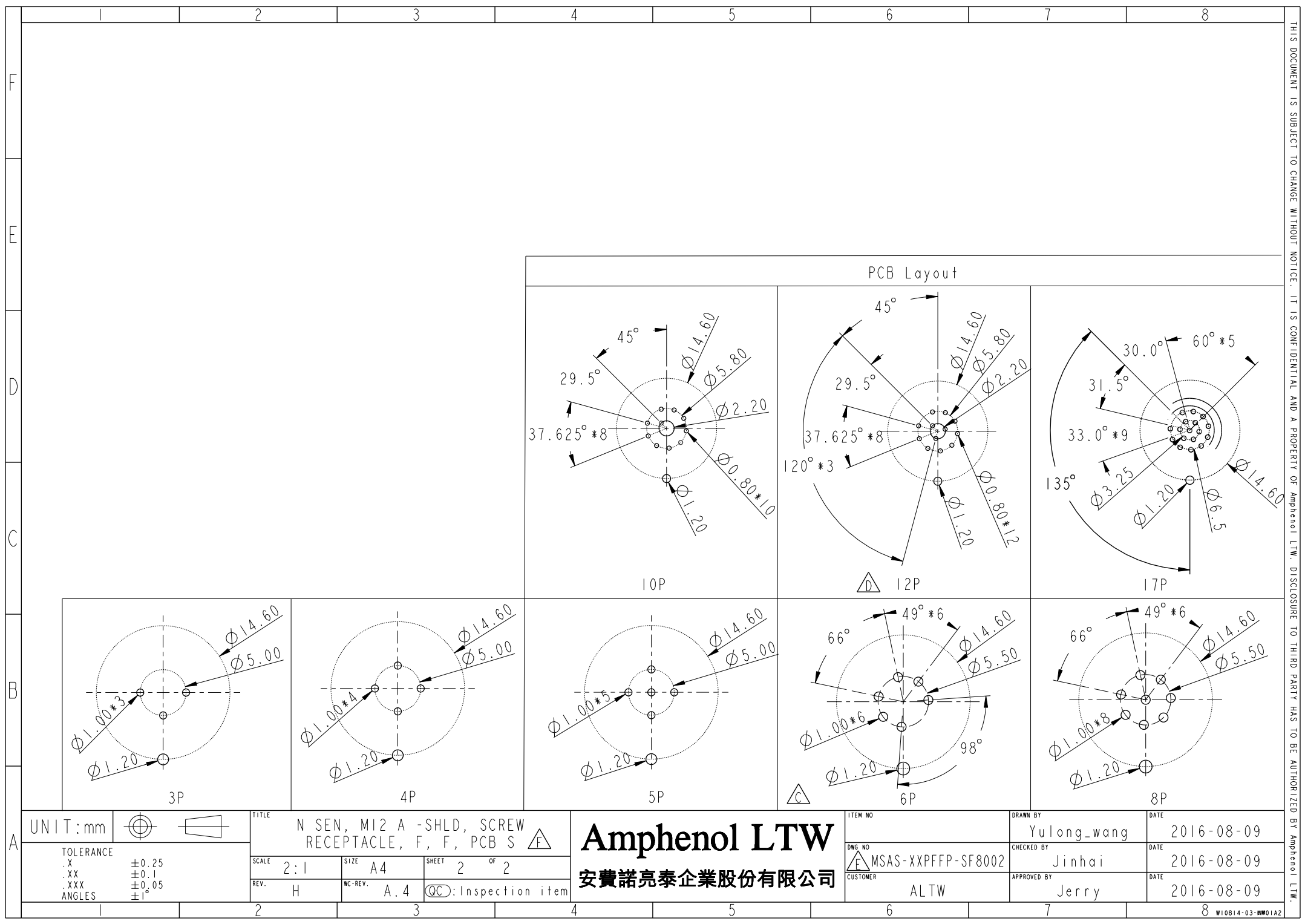
TOLERANCE	
.X	±0.25
.XX	±0.1
.XXX	±0.05
ANGLES	±1°

TITLE N SEN, M12 A -SHLD, SCREW RECEPTACLE, F, F, PCB S			
SCALE	SIZE	SHEET OF	
2:1	A4	1 OF 2	
REV.	WC-REV.	$\varnothing$ : Inspection item	
H	A.5		

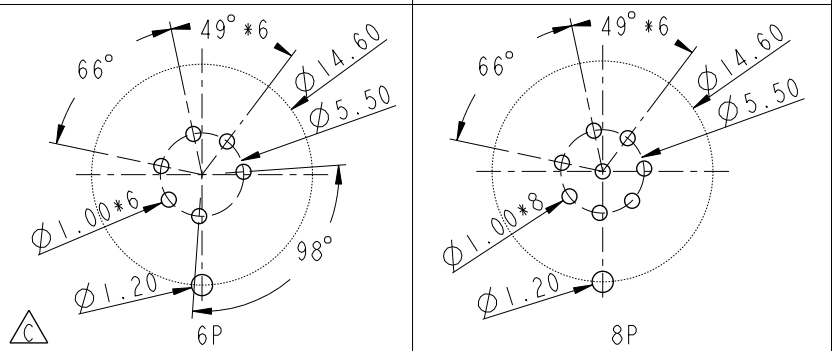
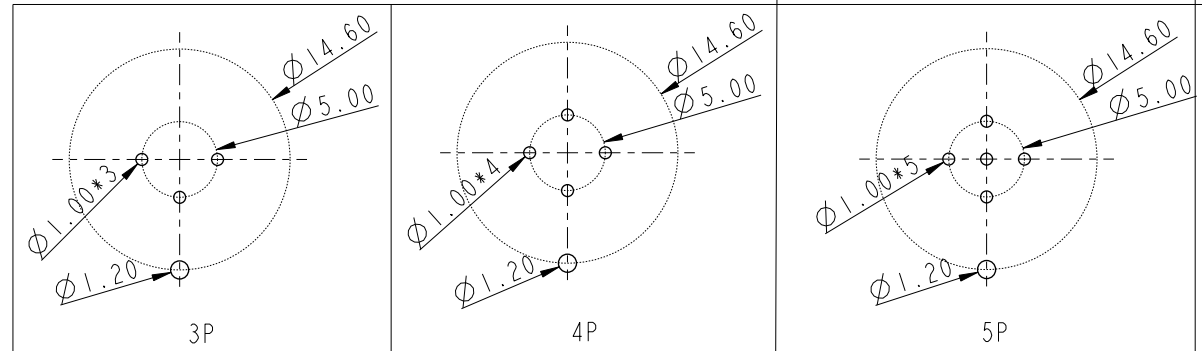
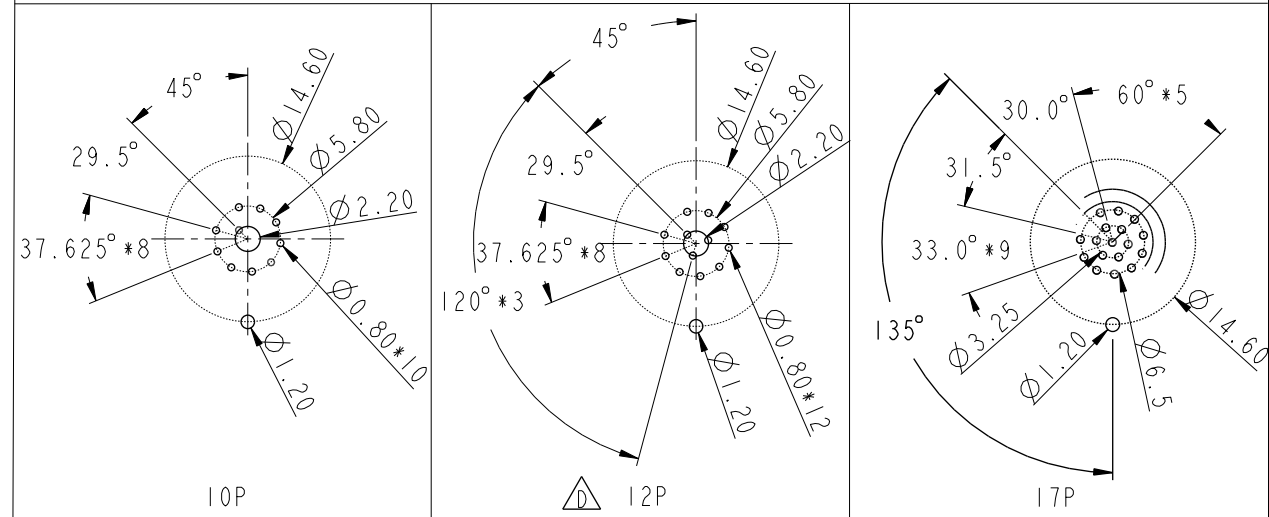
**Amphenol LTW**  
 安費諾亮泰企業股份有限公司

ITEM NO	DRAWN BY	DATE
	Yulong_wang	2016-08-09
DWG NO	CHECKED BY	DATE
MSAS-XXPFFP-SF8002	Jinhai	2016-08-09
CUSTOMER	APPROVED BY	DATE
ALTW	Jerry	2016-08-09

THIS DOCUMENT IS SUBJECT TO CHANGE WITHOUT NOTICE. IT IS CONFIDENTIAL AND A PROPERTY OF Amphenol LTW. DISCLOSURE TO THIRD PARTY HAS TO BE AUTHORIZED BY Amphenol LTW.



PCB Layout



UNIT: mm			TITLE N SEN, M12 A -SHLD, SCREW RECEPTACLE, F, F, PCB S		
TOLERANCE	.X ±0.25	.XX ±0.1	SCALE 2:1	SIZE A4	SHEET 2 OF 2
ANGLES	.XXX ±0.05	±1°	REV. H	WC-REV. A.4	

**Amphenol LTW**  
安費諾亮泰企業股份有限公司

ITEM NO	DRAWN BY Yulong_wang	DATE 2016-08-09
DWG NO 	CHECKED BY Jinhai	DATE 2016-08-09
CUSTOMER ALTW	APPROVED BY Jerry	DATE 2016-08-09