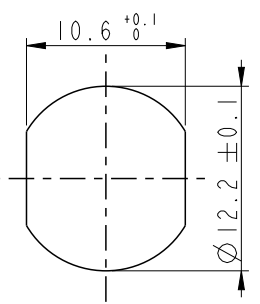
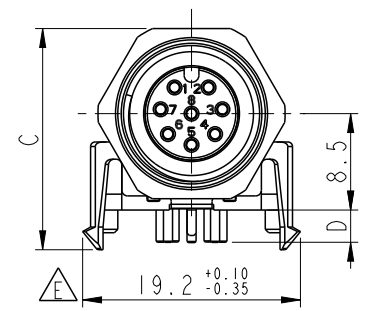
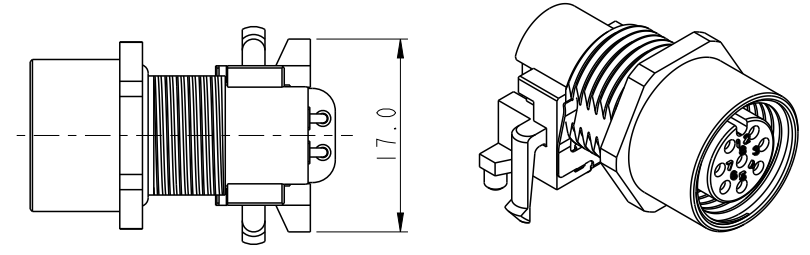


THIS DOCUMENT IS SUBJECT TO CHANGE WITHOUT NOTICE. IT IS CONFIDENTIAL AND A PROPERTY OF Amphenol LTW. DISCLOSURE TO THIRD PARTY HAS TO BE AUTHORIZED BY Amphenol LTW.

REV.	ECN NO.	DATE	SIGN	DESCRIPTION
C	C230018	2023/01/05	Vicky	X1
D	C230840	2023/06/26	Aber	X2
E	C231052	2023/08/11	Jack Liu	X9



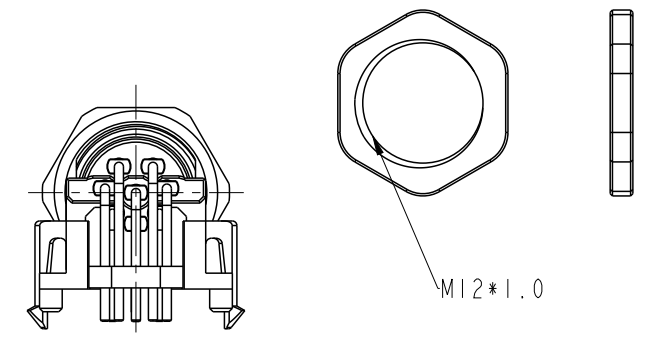
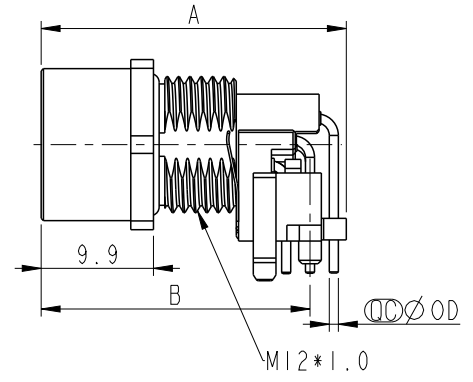
Recommended Panel Cut-Out



MSAS-XXPFFR-SH7003

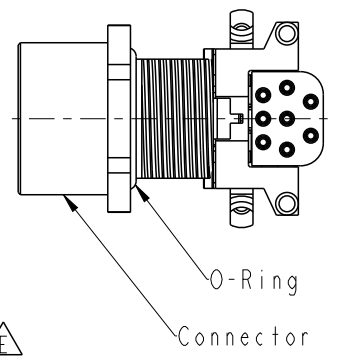
XX: No. Of Pin

This connector design is for pin: 3 ~ 8



- Note:
- * RoHS Compliant
 - * Important dimension
 - * Waterproof rate: IP67, mated
 - * Connector
 - Housing: Thermoplastic, Black
 - Pin: Copper alloy, Gold plated
 - Gasket: Rubber, Black
 - Shield: Metal
 - Nut: Metal
 - O-Ring: Rubber, Gray
 - * For panel thickness max: 3.0mm
 - * For pcb thickness max: 1.6mm
 - * Nut is packed separately in pe bag

MSAS-03PFFR-SH7003	26.9	23.7	19.2	2.52	1.0
MSAS-04PFFR-SH7003	26.9	23.7	19.2	2.52	1.0
MSAS-05PFFR-SH7003	26.9	23.7	19.2	2.52	1.0
MSAS-08PFFR-SH7003	26.7	23.7	19.2	2.87	0.8
MSAS-17PFFR-SH7003	30.4	25.5	19.6	3.7	0.6
Item No.	A	B	C	D	OD

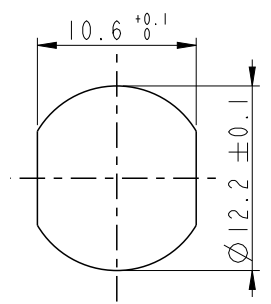


UNIT: mm			TITLE N SEN, M12 A, SCREW RECEPTACLE, F, F, PCB R		
TOLERANCE	.X ±0.25	.XX ±0.1	SCALE 3:2	SIZE A4	SHEET 1 OF 3
.XXX ±0.05	ANGLES ±1°		REV. E	WC-REV. A.3	Inspection item

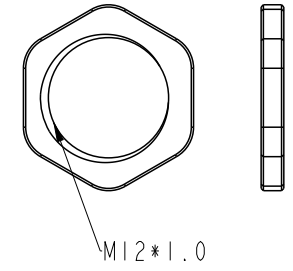
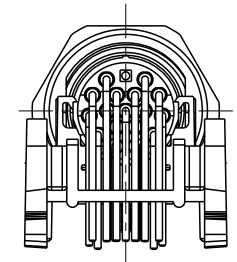
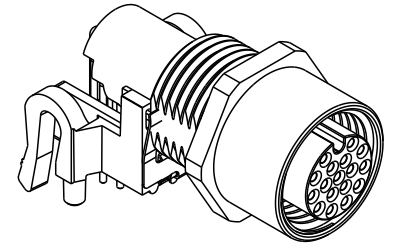
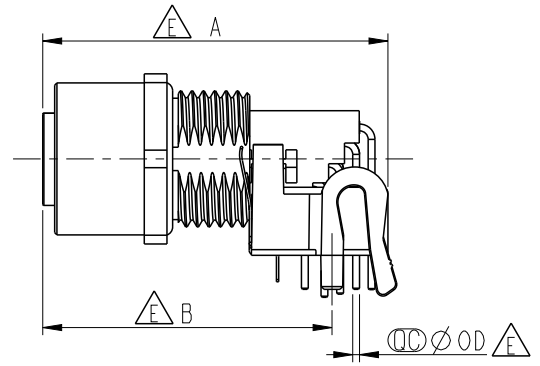
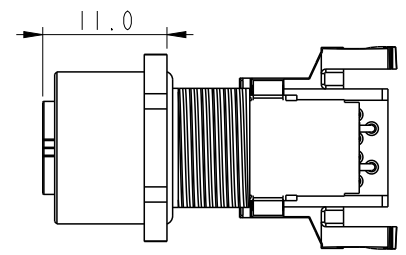
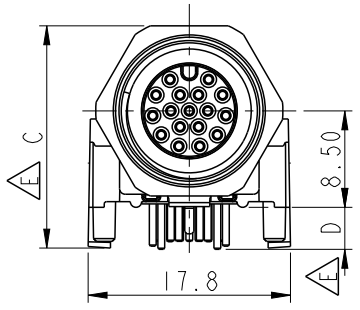
Amphenol LTW
安費諾亮泰企業股份有限公司

ITEM NO.	DRAWN BY	DATE
DWG NO.	CHECKED BY	DATE
CUSTOMER	APPROVED BY	DATE
ALTW	Neo	2022/03/07

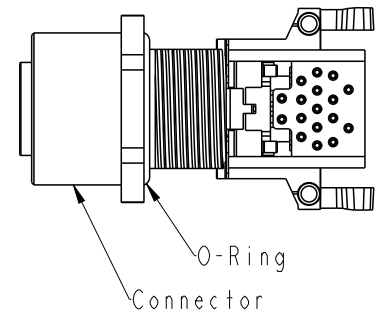
THIS DOCUMENT IS SUBJECT TO CHANGE WITHOUT NOTICE. IT IS CONFIDENTIAL AND A PROPERTY OF Amphenol LTW. DISCLOSURE TO THIRD PARTY HAS TO BE AUTHORIZED BY Amphenol LTW.



Recommended Panel Cut-Out



MSAS-XXPFFR-SH7003
 XX: No. Of Pin
 This connector design is for pin: 13 ~ 17



- Note:
- * RoHS Compliant
 - * ⌀ Important dimension
 - * Waterproof rate: IP67, mated
 - * Connector
- Housing: Thermoplastic, Black
 Pin: Copper alloy, Gold plated
 Gasket: Rubber, Black
 Shield: Metal
 Nut: Metal
 O-Ring: Rubber, Gray
- * For panel thickness max: 3.0mm
 - * For pcb thickness max: 1.6mm
 - * Nut is packed separately in pe bag

UNIT:mm		
TOLERANCE	.X ±0.25	
	.XX ±0.1	
	.XXX ±0.05	
ANGLES	±1°	

TITLE N SEN, M12 A, SCREW RECEPTACLE, F, F, PCB R			
SCALE 3:2	SIZE A4	SHEET 2 OF 3	
REV. E	WC-REV. A.3	⌀ : Inspection item	

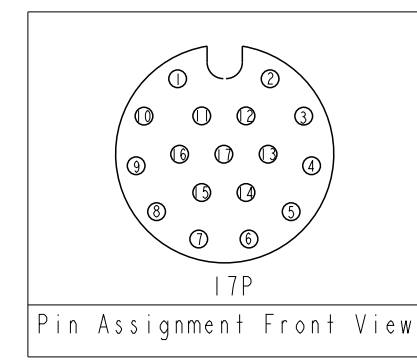
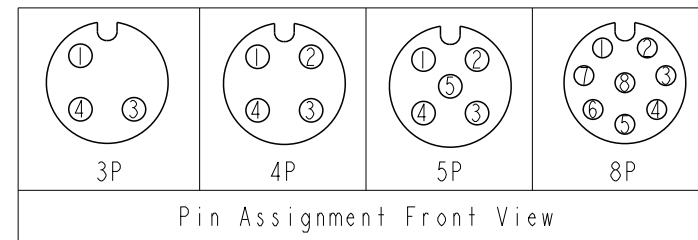
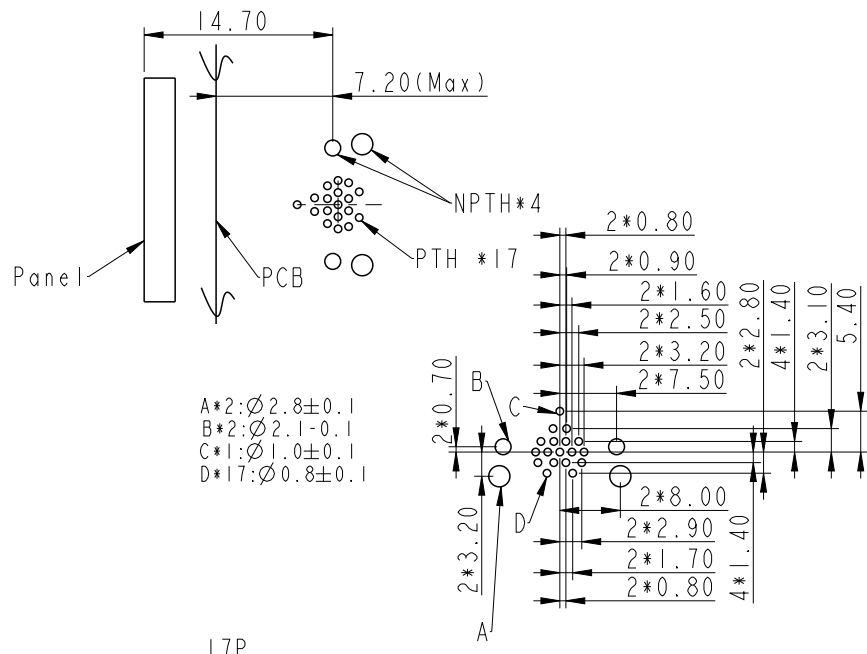
Amphenol LTW
 安費諾亮泰企業股份有限公司

ITEM NO	DRAWN BY Leon	DATE 2022/03/07
DWG NO MSAS-XXPFFR-SH7003	CHECKED BY Wen	DATE 2022/03/07
CUSTOMER ALTW	APPROVED BY Neo	DATE 2022/03/07

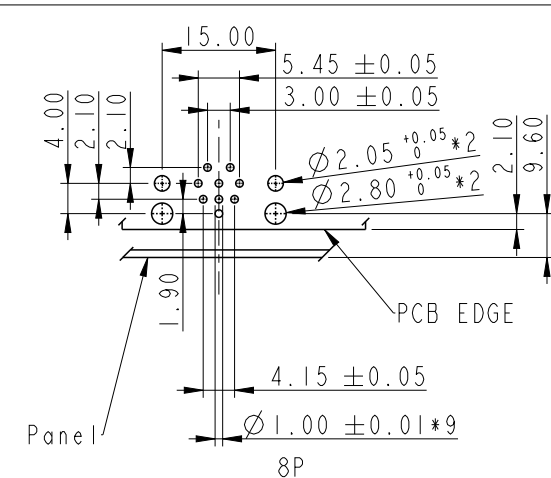
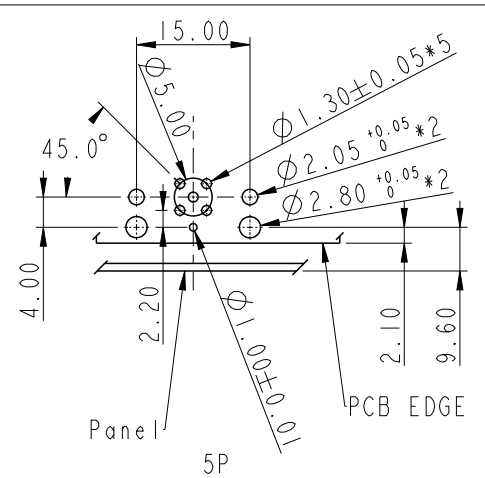
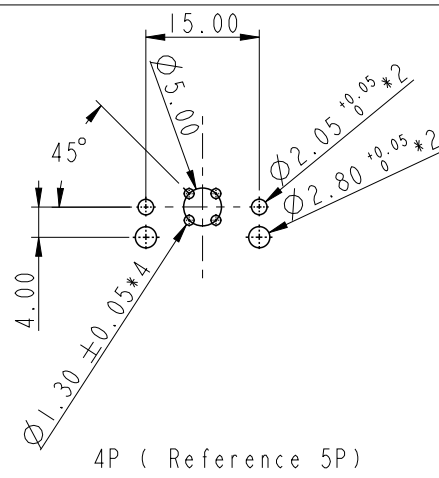
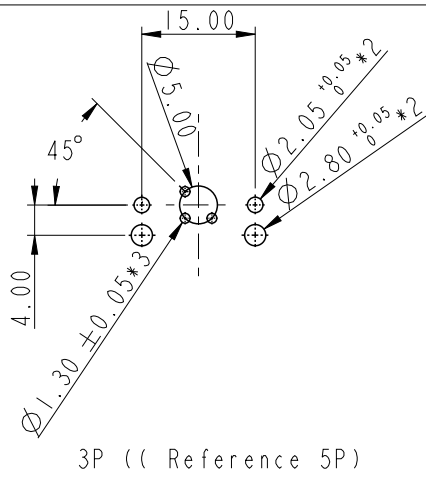
THIS DOCUMENT IS SUBJECT TO CHANGE WITHOUT NOTICE. IT IS CONFIDENTIAL AND A PROPERTY OF Amphenol LTW. DISCLOSURE TO THIRD PARTY HAS TO BE AUTHORIZED BY Amphenol LTW.

△E

PCB Layout

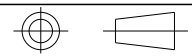


PCB Layout



UNIT:mm

TOLERANCE
.X ±0.25
.XX ±0.1
.XXX ±0.05
ANGLES ±1°



TITLE
N SEN, M12 A, SCREW
RECEPTACLE, F, F, PCB R

SCALE 3:2
SIZE A4
SHEET 3 OF 3

REV. E
WC-REV. A.3
Ⓞ: Inspection item

Amphenol LTW
安費諾亮泰企業股份有限公司

ITEM NO
DWG NO MSAS-XXPFFR-SH7003
CUSTOMER ALTW

DRAWN BY Leon
CHECKED BY Wen
APPROVED BY Neo

DATE 2022/03/07
DATE 2022/03/07
DATE 2022/03/07