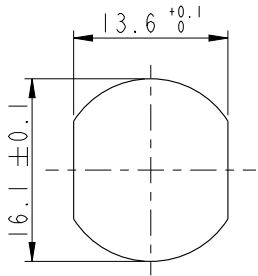


THIS DOCUMENT IS SUBJECT TO CHANGE WITHOUT NOTICE. IT IS CONFIDENTIAL AND A PROPERTY OF Amphenol LTW. DISCLOSURE TO THIRD PARTY HAS TO BE AUTHORIZED BY Amphenol LTW.

REV.	ECN NO.	DATE	SIGN	DESCRIPTION
I	C221973	2022/12/26	Ruru	△ XI
J	C231034	2023/08/09	Ruru	△ J XI
K	C240382	2024/04/15	Lavy	△ K XI



Recommended Panel Cut-Out

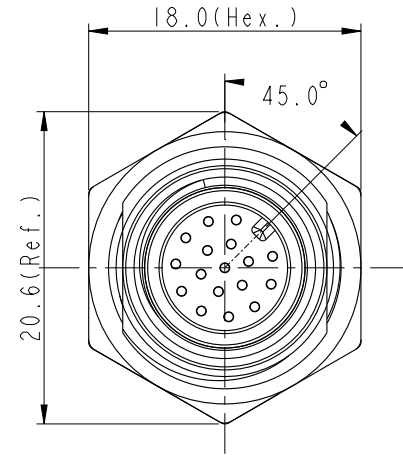
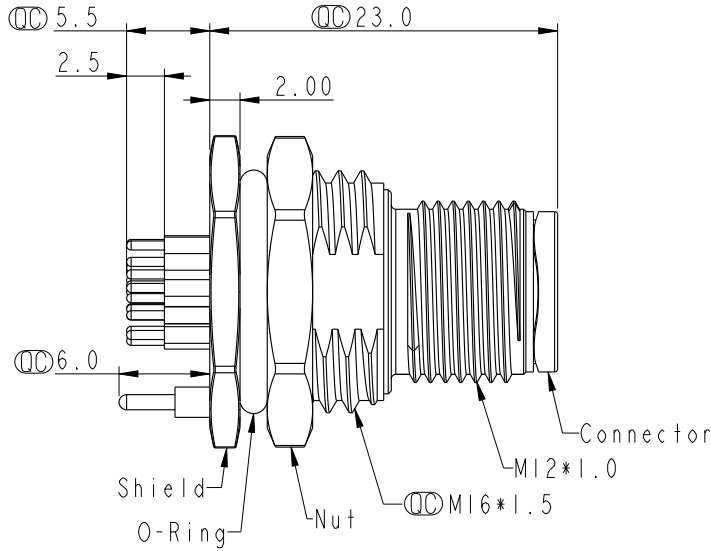
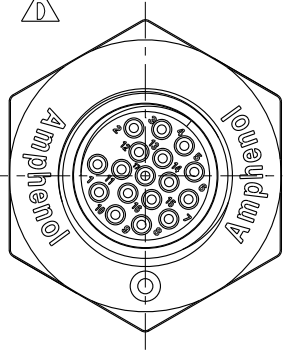
△ B

△ E

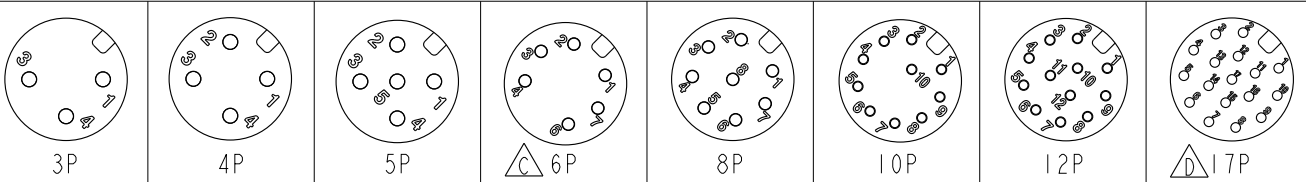
MSAS-XXPMMP-SF8002

XX: No. Of Pin

△ D



- △ H △ E △ G Note:
- * RoHS Compliant
 - * ⌀ Important dimension
 - △ I △ C * Waterproof rate: IP68, unmated 1m/24h
△ J IP69K, mated
 - * Connector
Housing: Thermoplastic, Black
Pin: Copper alloy, Gold plated
 - △ F * Shield: Metal
 - △ F * Nut: Metal
 - * O-Ring: Rubber, Black
 - * For panel thickness max: 4.5mm
 - * Nut is packed separately in pe bag



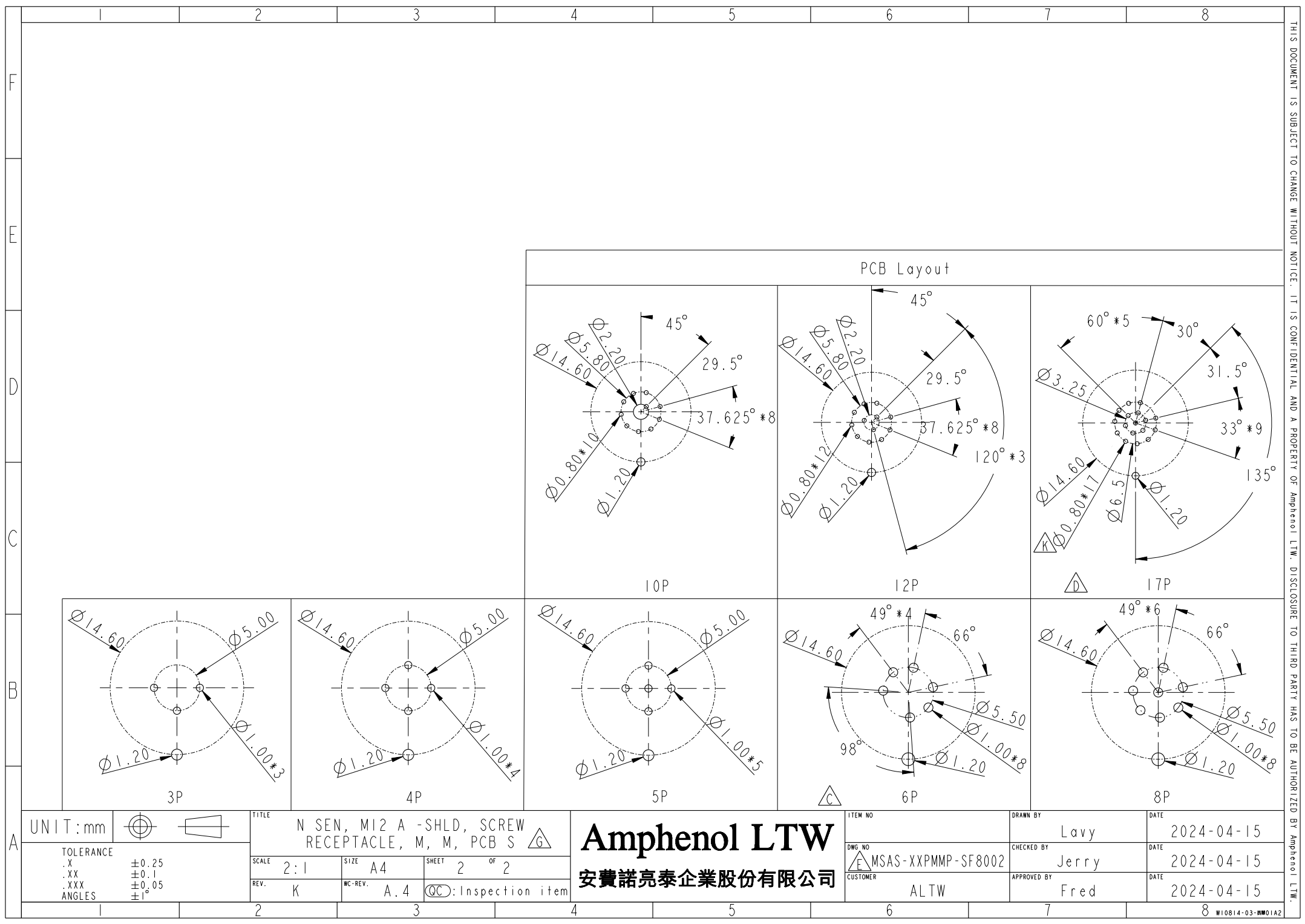
Pin Assignment Front View

UNIT: mm			TITLE N SEN, M12 A -SHLD, SCREW RECEPTACLE, M, M, PCB S △ G
TOLERANCE	.X ±0.25	.XX ±0.1	SCALE 2:1
.XXX ±0.05	ANGLES ±1°	SIZE A4	SHEET 1 OF 2
		REV. K	WC-REV. A.5
			⌀: Inspection item

Amphenol LTW
安費諾亮泰企業股份有限公司

ITEM NO	DRAWN BY Lavy	DATE 2024-04-15
DWG NO △ E MSAS-XXPMMP-SF8002	CHECKED BY Jerry	DATE 2024-04-15
CUSTOMER ALTW	APPROVED BY Fred	DATE 2024-04-15

THIS DOCUMENT IS SUBJECT TO CHANGE WITHOUT NOTICE. IT IS CONFIDENTIAL AND A PROPERTY OF Amphenol LTW. DISCLOSURE TO THIRD PARTY HAS TO BE AUTHORIZED BY Amphenol LTW.



UNIT: mm	
TOLERANCE	
.X	±0.25
.XX	±0.1
.XXX	±0.05
ANGLES	±1°

TITLE N SEN, M12 A -SHLD, SCREW RECEPTACLE, M, M, PCB S		
SCALE 2:1	SIZE A4	SHEET 2 OF 2
REV. K	WC-REV. A.4	: Inspection item

Amphenol LTW
安費諾亮泰企業股份有限公司

ITEM NO	DWG NO
	MSAS-XXPMMP-SF8002
CUSTOMER	ALTW

DRAWN BY Lavy	CHECKED BY Jerry
APPROVED BY Fred	

DATE 2024-04-15	DATE 2024-04-15
DATE 2024-04-15	