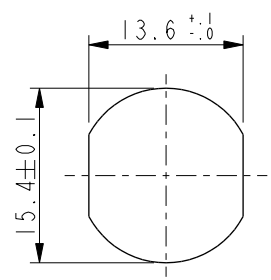
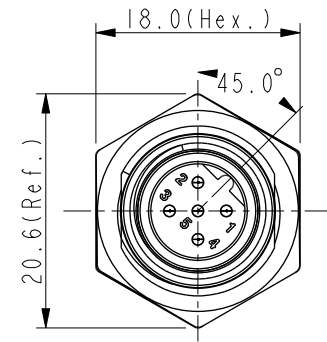
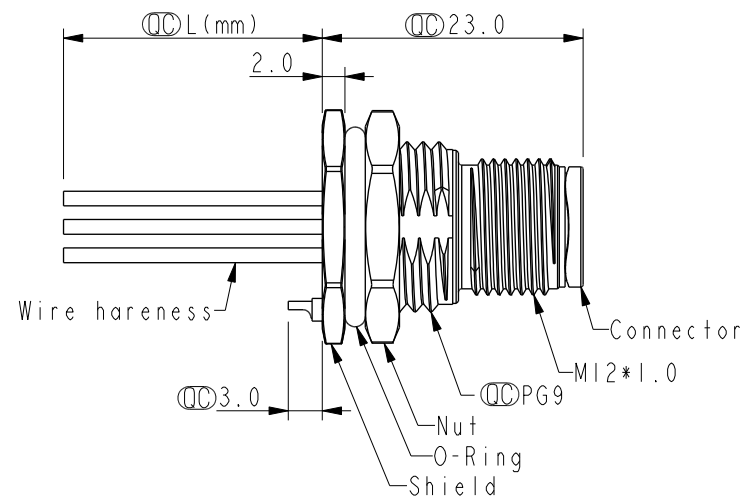
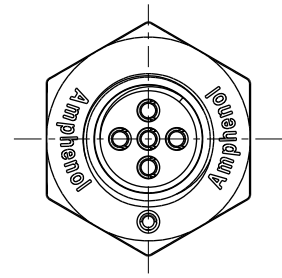


THIS DOCUMENT IS SUBJECT TO CHANGE WITHOUT NOTICE. IT IS CONFIDENTIAL AND A PROPERTY OF Amphenol LTW. DISCLOSURE TO THIRD PARTY HAS TO BE AUTHORIZED BY Amphenol LTW.

| REV. | ECN NO. | DATE | SIGN | DESCRIPTION |
|------|---------|------------|-------|------------------|
| F | C221928 | 2022/12/21 | Ruru | $\triangle F$ X1 |
| G | C231032 | 2023/08/07 | Ruru | $\triangle G$ X1 |
| H | C240699 | 2024/06/21 | Vicky | $\triangle H$ X2 |



Recommended Panel Cut-Out



$\triangle B \triangle C \triangle E$
MSBS-XXPMMC-SF8BXX

XX: No. Of Pin

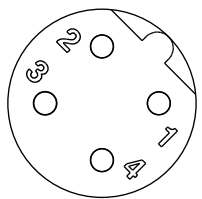
- $\triangle H$ 15: 150mm
- 20: 200mm
- 95: 950mm
- Cable Pitch Unit=50mm
- A0: 1000mm
- A5: 1500mm
- Cable Pitch Unit=100mm
- Wire Length (L): 150~1500mm

- Note: $\triangle B \triangle C \triangle D \triangle E$
- * RoHS Compliant
 - * CC Important dimension
 - $\triangle F$ * Waterproof rate: IP68, unmated 1m/24h
 - $\triangle G$ IP69K, mated
 - * Connector
 - Housing: Thermoplastic, Black
 - Pin: Copper alloy, Gold plated
 - * Shield: Metal
 - * Nut: Metal
 - * O-Ring: Rubber, Black
 - * Wire harness: UL1061, 22AWG
 - * For panel thickness max: 4.5mm
 - * O-Ring and nut are assembled on connectors
 - $\triangle H$ * Wire harness tolerance: 150mm < L ≤ 300mm: ±15mm
 - 300mm < L ≤ 1000mm: ±20mm
 - 1000mm < L ≤ 1500mm: +50/-0mm

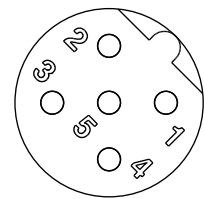
| | | | | |
|---|-------|---|-------|---|
| 5 | -- | 5 | Gray | 灰 |
| 4 | Black | 4 | Black | 黑 |
| 3 | Blue | 3 | Blue | 藍 |
| 2 | White | 2 | White | 白 |
| 1 | Brown | 1 | Brown | 棕 |

Pin # Wire Pin # Wire

Pin Out



4P



5P

Pin Assignments Front View

| | | |
|-----------|----------|--|
| UNIT:mm | | |
| TOLERANCE | .X ±0.25 | |
| .XX | ±0.1 | |
| .XXX | ±0.05 | |
| ANGLES | ±1° | |

| | | | |
|---|-----|---------|-----|
| TITLE N SEN, M12 B -SHLD, SCREW RECEPTACLE, M, M, FI/PANEL CRIMP $\triangle E$ | | | |
| SCALE | 3:2 | SIZE | A4 |
| SHEET | 1 | OF | 1 |
| REV. | H | WC-REV. | A.1 |
| CC : Inspection item | | | |

Amphenol LTW
安費諾亮泰企業股份有限公司

| | | |
|----------------------------------|-------------|------------|
| ITEM NO | DRAWN BY | DATE |
| DWG NO | Vicky | 2024-06-21 |
| $\triangle E$ MSBS-XXPMMC-SF8BXX | CHECKED BY | DATE |
| CUSTOMER | Rita | 2024-06-21 |
| ALTW | APPROVED BY | DATE |
| | Fred | 2024-06-21 |