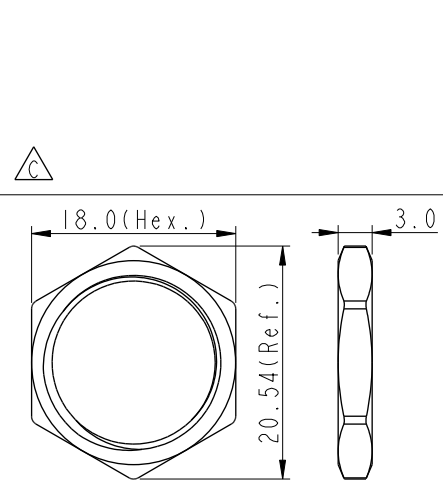
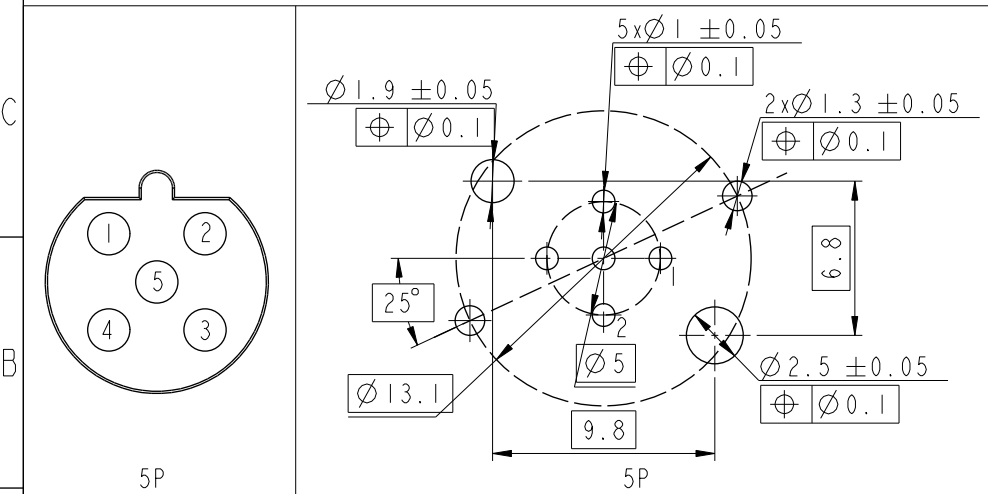
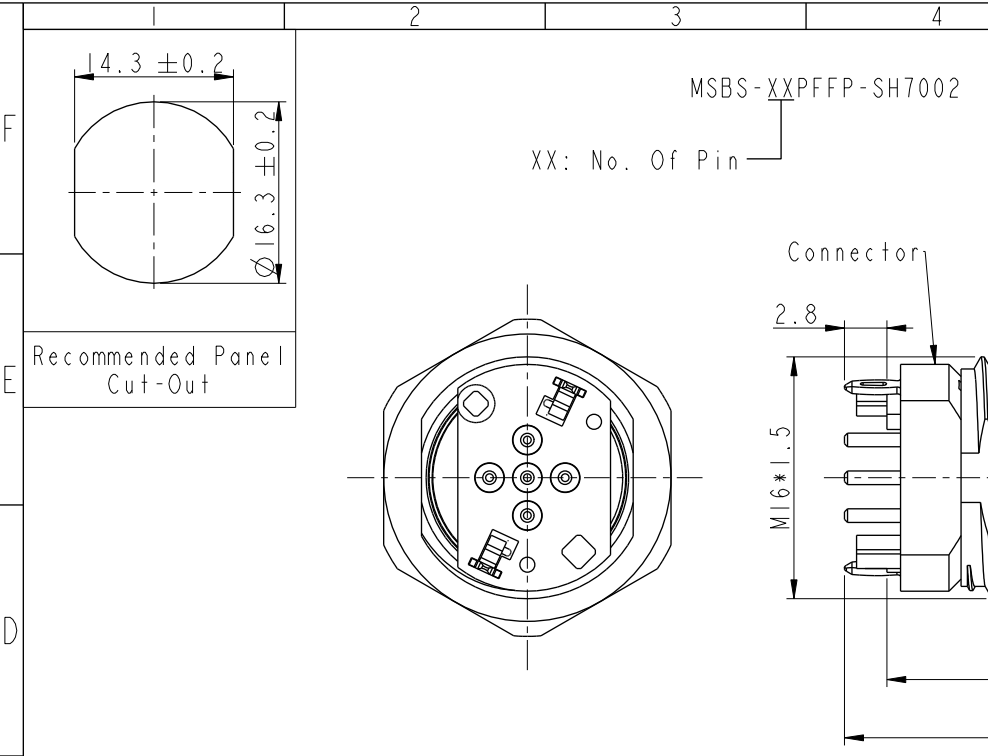


THIS DOCUMENT IS SUBJECT TO CHANGE WITHOUT NOTICE. IT IS CONFIDENTIAL AND A PROPERTY OF Amphenol LTW. DISCLOSURE TO THIRD PARTY HAS TO BE AUTHORIZED BY Amphenol LTW.

REV.	ECN NO.	DATE	SIGN	DESCRIPTION
B	C230018	2023/01/05	Vicky	$\triangle B$ XI
C	C230815	2023/06/30	Jiahe Lin	$\triangle C$ X3
D	C230927	2023/07/20	Jiahe Lin	$\triangle D$ XI



Note:

- * RoHS Compliant
- * ⌀ Important dimension
- $\triangle B$ * Waterproof rate: IP67, Mated
- * Connector
- Housing: Thermoplastic, Black
- Pin: Copper alloy, Gold plated
- Spring: Metal
- * Shield: Metal
- * Nut: Metal
- * Panel Gasket: Rubber, Black
- * Mating Gasket: Rubber, Black
- * For Panel Thickness max: 2.5mm
- * For PCB Thickness max: 2.5mm
- * Nut is packed separately in PE bag

Pin Assignment Front View PCB Layout

UNIT:mm		TITLE N SEN, M12 B -SHLD, RECEPTACLE, F, F, PCB S
TOLERANCE .X ±0.25 .XX ±0.1 .XXX ±0.05 ANGLES ±1°	SCALE 2:1	SIZE A4
	REV. D	SHEET 1 OF 1
	WC-REV. A.1	⌀ : Inspection item

Amphenol LTW
安費諾亮泰企業股份有限公司

ITEM NO	DRAWN BY Jiahe Lin	DATE 2022-08-04
DWG NO MSBS-XXPFFP-SH7002	CHECKED BY Allen Pan	DATE 2022-08-04
CUSTOMER ALTW	APPROVED BY Fred Lee	DATE 2022-08-04