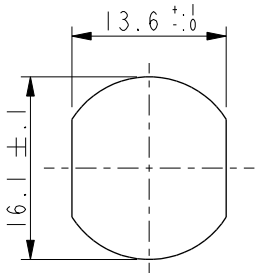
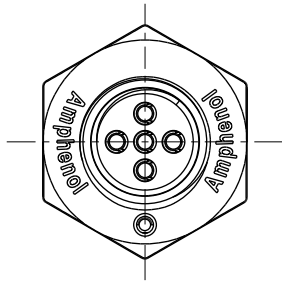


THIS DOCUMENT IS SUBJECT TO CHANGE WITHOUT NOTICE. IT IS CONFIDENTIAL AND A PROPERTY OF Amphenol LTW. DISCLOSURE TO THIRD PARTY HAS TO BE AUTHORIZED BY Amphenol LTW.

REV.	ECN NO.	DATE	SIGN	DESCRIPTION
F	C221928	2022/12/21	Ruru	$\triangle F$ X1
G	C231032	2023/08/07	Ruru	$\triangle G$ X1
H	C240699	2024/06/21	Vicky	$\triangle H$ X2



Recommended Panel Cut-Out



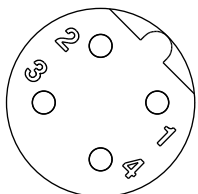
$\triangle B \triangle C \triangle E$
MSBS-XXPMC-SF8CXX

XX: No. Of Pin

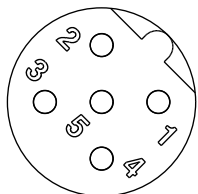
5	--	5	Gray	灰
4	Black	4	Black	黑
3	Blue	3	Blue	藍
2	White	2	White	白
1	Brown	1	Brown	棕

Pin # Wire Pin # Wire

Pin Out

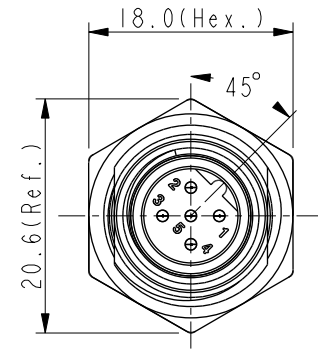
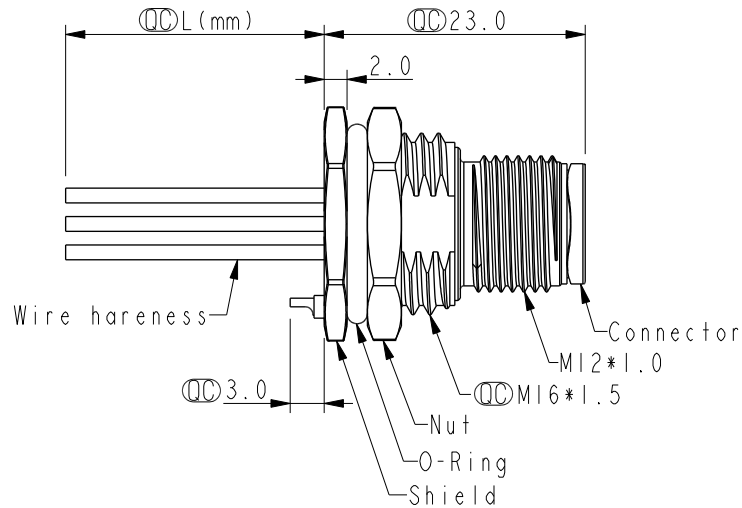


4P



5P

Pin Assignments Front View



$\triangle H$
15: 150mm
20: 200mm
§
95: 950mm
Cable Pitch Unit=50mm

A0: 1000mm
§
A5: 1500mm
Cable Pitch Unit=100mm
Wire Length (L): 150~1500mm

- Note: $\triangle B \triangle C \triangle D \triangle E$
- * RoHS Compliant
 - * CC Important dimension
 - $\triangle F$ * Waterproof rate: IP68, unmated 1m/24h
 $\triangle G$ IP69K, mated
 - * Connector
Housing: Thermoplastic, Black
Pin: Copper alloy, Gold plated
 - * Shield: Metal
 - * Nut: Metal
 - * O-Ring: Rubber, Black
 - * Wire harness: UL1061, 22AWG
 - * For panel thickness max: 4.5mm
 - * O-Ring and nut are assembled on connectors
 - $\triangle H$ * Wire harness tolerance: 150mm < L ≤ 300mm: ±15mm
300mm < L ≤ 1000mm: ±20mm
1000mm < L ≤ 1500mm: +50/-0mm

UNIT:mm		
TOLERANCE	.X ±0.25	
.XX ±0.1		
.XXX ±0.05		
ANGLES	±1°	

TITLE N SEN, M12 B -SHLD, SCREW RECEPTACLE, M, M, FI/PANEL CRIMP $\triangle E$			
SCALE 3:2	SIZE A4	SHEET 1 OF 1	
REV. H	WC-REV. A.1	CC : Inspection item	

Amphenol LTW
安費諾亮泰企業股份有限公司

ITEM NO	DRAWN BY Vicky	DATE 2024-06-21
DWG NO $\triangle C$ MSBS-XXPMC-SF8CXX	CHECKED BY Rita	DATE 2024-06-21
CUSTOMER ALTW	APPROVED BY Fred	DATE 2024-06-21