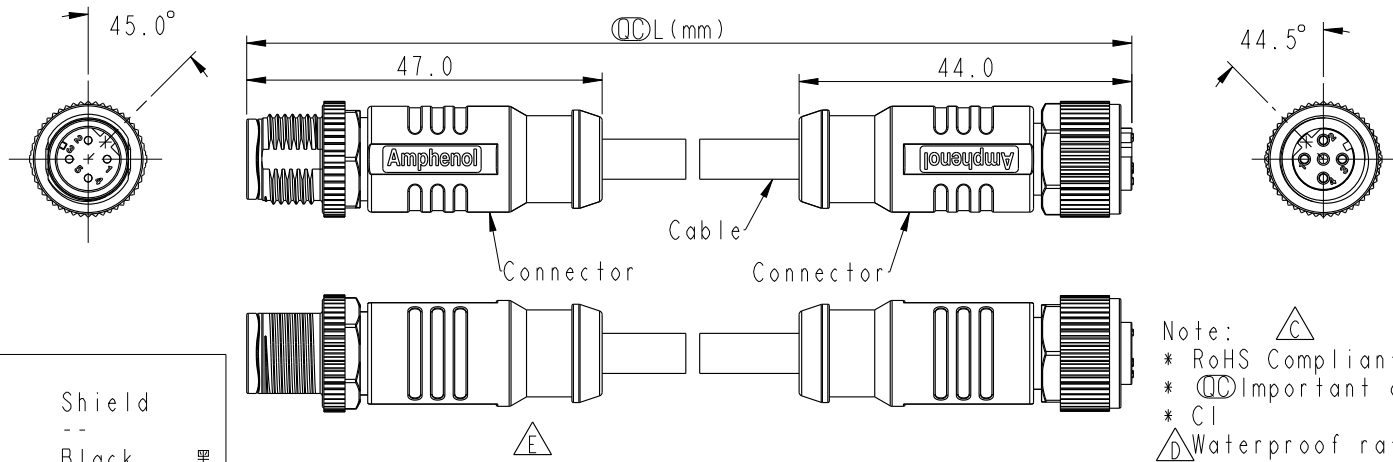
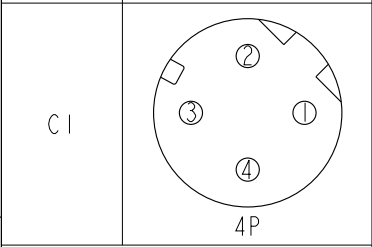
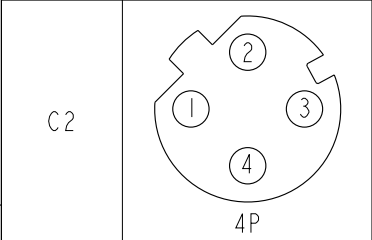


THIS DOCUMENT IS SUBJECT TO CHANGE WITHOUT NOTICE. IT IS CONFIDENTIAL AND A PROPERTY OF Amphenol LTW. DISCLOSURE TO THIRD PARTY HAS TO BE AUTHORIZED BY Amphenol LTW.

REV.	ECN NO.	DATE	SIGN	DESCRIPTION
C	C210237	2021/03/29	Ruru	$\triangle C$ X2
D	C222007	2022/12/28	Ruru	$\triangle D$ X2
E	C230829	2023/07/10	JC Chen	$\triangle E$ X1



Pin Out	Shield	Wire
5	--	
4	Black	黑
3	Blue	藍
2	White	白
1	Brown	棕



Pin Assignments Front View

MSDSXXML-SDSFL-SBXXX

XX: No. Of Pin

XXX: 0.5~99Meters
 A05: 0.5 Meter
 1: 01 Meter
 2: 02 Meters
 ...
 99: 99 Meters

Note: $\triangle C$

- * RoHS Compliant
- * \varnothing Important dimension
- * CI

$\triangle D$ Waterproof rate: IP68, mated 1m/24h
 IP69K, mated
 Housing: Thermoplastic, Black
 Pin: Copper alloy, Gold plated
 Nut: Metal
 Shield: Metal
 Outer mold: Thermoplastic, Black

* C2

$\triangle D$ Waterproof rate: IP68, mated 1m/24h
 IP69K, mated
 Housing: Thermoplastic, Black
 Pin: Copper alloy, Gold plated
 O-Ring: Rubber, Gray
 Nut: Metal
 Shield: Metal
 Outer mold: Thermoplastic, Black

* Cable: UL20549, Shield, 22#*4C+AL/MY+B, OD=5.3mm, PU Jacket, Black

* Cable length tolerance: 0.5M < L ≤ 1M: +60/-0 mm
 1M < L ≤ 3M: +120/-0 mm
 3M < L ≤ 5M: +160/-0 mm
 5M < L ≤ 10M: ±100 mm
 10M < L ≤ 20M: ±200 mm
 20M < L ≤ 30M: ±300 mm
 30M < L ≤ 99M: ±500 mm

UNIT:mm		TITLE	ACC, SEN, D Code, DB-ENDED MF $\triangle C$	
TOLERANCE	± 0.5mm	SCALE	1:1	SIZE A4
REV.	E	WC-REV.	A	SHEET 1 OF 1
				\varnothing : Inspection item

Amphenol LTW
 安費諾亮泰企業股份有限公司

ITEM NO	DRAWN BY	DATE
DWG NO	Brady	2019/01/24
CUSTOMER	CHECKED BY	DATE
ALTW	Eagle	2019/01/24
	APPROVED BY	DATE
	Neo	2019/01/24