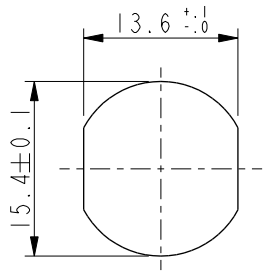
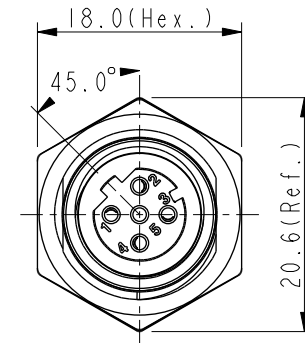
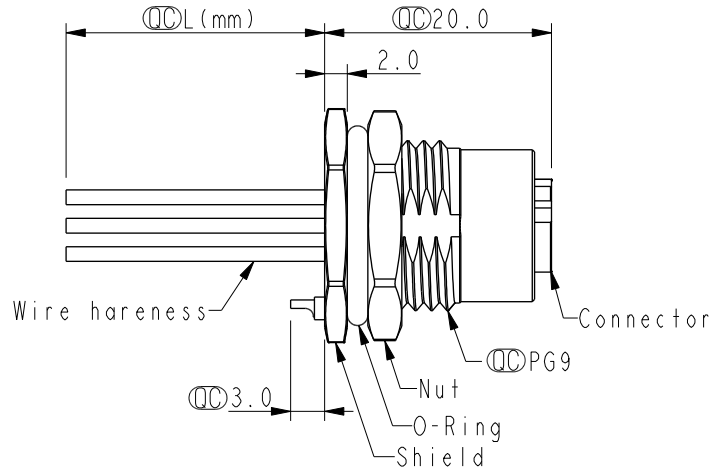
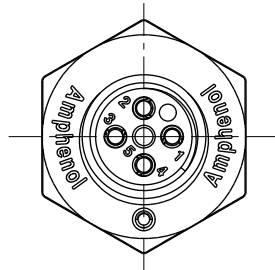


THIS DOCUMENT IS SUBJECT TO CHANGE WITHOUT NOTICE. IT IS CONFIDENTIAL AND A PROPERTY OF Amphenol LTW. DISCLOSURE TO THIRD PARTY HAS TO BE AUTHORIZED BY Amphenol LTW.

REV.	ECN NO.	DATE	SIGN	DESCRIPTION
F	C221928	2022/12/21	Ruru	△F X1
G	C231032	2023/08/07	Ruru	△G X1
H	C240699	2024/06/21	Vicky	△H X2

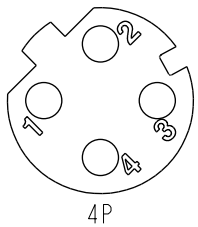


Recommended Panel Cut-Out



4	Black	黑
3	Blue	藍
2	White	白
1	Brown	棕

Pin # Wire
Pin Out



Pin Assignments Front View

MSDS-XXPFFC-SF8BXX

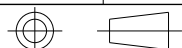
XX: No. Of Pin

- △H 15: 150mm
- 20: 200mm
- 95: 950mm
- Cable Pitch Unit=50mm
- A0: 1000mm
- A5: 1500mm
- Cable Pitch Unit=100mm
- Wire Length (L): 150~1500mm

Note: △B △C △D △E

- * RoHS Compliant
- * △C Important dimension
- △F * Waterproof rate: IP68, unmated 1m/24h
- △G IP69K, mated
- * Connector
- Housing: Thermoplastic, Black
- Pin: Copper alloy, Gold plated
- O-Ring: Rubber, Green
- * Shield: Metal
- * Nut: Metal
- * O-Ring: Rubber, Black
- * Wire harness: UL1061, 22AWG
- * For panel thickness max: 4.5mm
- * O-Ring and nut are assembled on connectors
- △H * Wire harness tolerance: 150mm < L ≤ 300mm: ±15mm
- 300mm < L ≤ 1000mm: ±20mm
- 1000mm < L ≤ 1500mm: +50/-0mm

UNIT:mm



TITLE			
N SEN, M12 D -SHLD, SCREW RECEPTACLE, F, F, FI/PANEL CRIMP △E			
SCALE	SIZE	SHEET	OF
3:2	A4	1	1
REV.	WC-REV.	QC: Inspection item	
H	A.1		

Amphenol LTW
安費諾亮泰企業股份有限公司

ITEM NO	DRAWN BY	DATE
MSDS-XXPFFC-SF8BXX	Vicky	2024-06-21
DWG NO	CHECKED BY	DATE
MSDS-XXPFFC-SF8BXX	Rita	2024-06-21
CUSTOMER	APPROVED BY	DATE
ALTW	Fred	2024-06-21