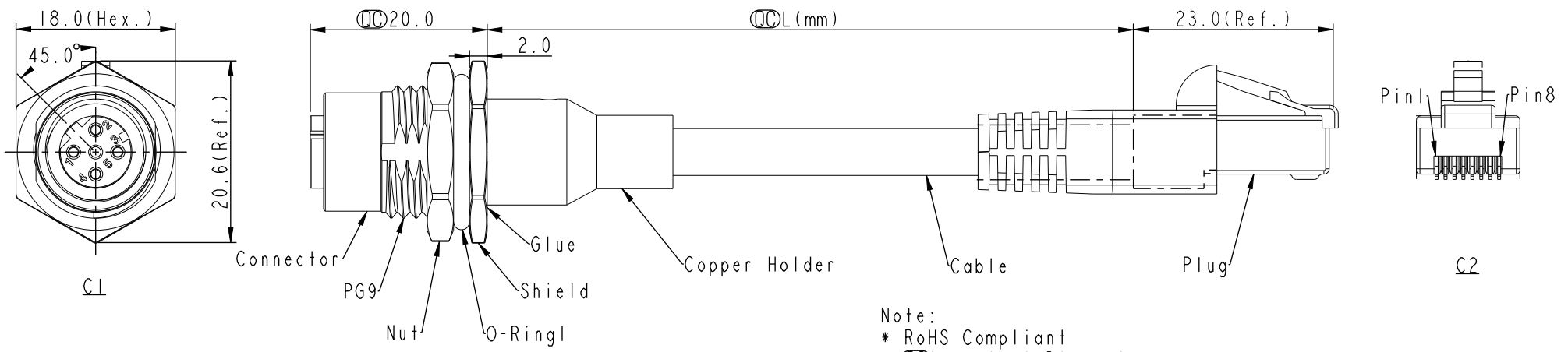


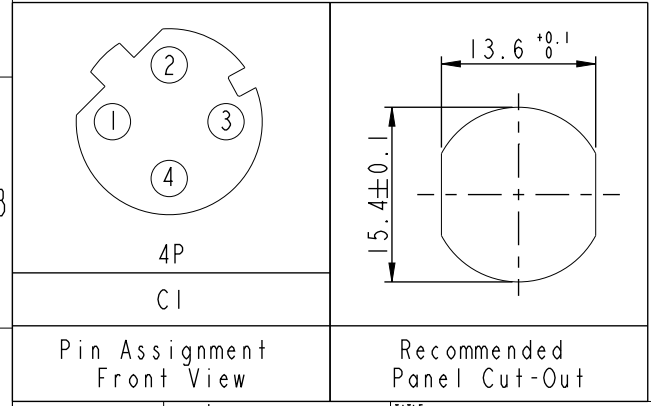
THIS DOCUMENT IS SUBJECT TO CHANGE WITHOUT NOTICE. IT IS CONFIDENTIAL AND A PROPERTY OF AMPHENOL LTW. DISCLOSURE TO THIRD PARTY HAS TO BE AUTHORIZED BY AMPHENOL LTW.

REV.	ECN NO.	DATE	SIGN	DESCRIPTION
D	C230057	2023-01-18	Jiahe Lin	$\triangle D$ XI
E	C231031	2023-08-07	Ruru	$\triangle E$ XI
F	C240594	2024/05/29	Hubert	$\triangle F$ xI

MSDS-XXPFFJ-SF8AXX
 XX: No. Of Pin
 XX: L=0~5Meters
 A5: L=0.5Meters
 01: L=1Meters
 02: L=2Meters
 ...
 05: L=5Meters



- Note:
- * RoHS Compliant
 - * CC Important Dimension
 - * C1
 - $\triangle A$ * Waterproof rate: IP68, unmated 1m/24h
 - $\triangle E$ IP69K, mated
 - Housing: Thermoplastic, Black
 - Pin: Copper Alloy, Gold plated
 - O-Ring1: Rubber, Black
 - O-Ring2: Rubber, Green
 - Shield: Metal
 - Nut: Metal
 - * C2
 - Waterproof Rate: Non-Waterproof
 - Plug: RJ45, Shielded
 - * For panel thickness max: 4.5mm
 - $\triangle F$ $\triangle D$ * O-Ring and nut are assembled on connectors
 - $\triangle B$ * Cable: CAT-5E, 22#*2P+AL/MY+D, OD=6.2mm, PU Jacket, Black
 - * Cable length tolerance: 0.5M < L ≤ 1M: +60/-0 mm
 1M < L ≤ 3M: +120/-0 mm
 3M < L ≤ 5M: +160/-0 mm



UNIT:mm		TITLE N SEN, M12 D -SHLD, SCREW RECEPTACLE, F, F, RJ PLUG
TOLERANCE .X ±0.25 .XX ±0.1 .XXX ±0.05 ANGLES ±1°	SCALE 2:1	SIZE A4
	REV. F	SHEET 1 OF 2
	WC-REV.	CC : Inspection item

Amphenol LTW
 安費諾亮泰企業股份有限公司

ITEM NO	DRAWN BY Hubert	DATE 2024/05/29
DWG NO MSDS-XXPFFJ-SF8AXX	CHECKED BY Aric	DATE 2024/05/29
CUSTOMER ALTW	APPROVED BY Fred	DATE 2024/05/29

THIS DOCUMENT IS SUBJECT TO CHANGE WITHOUT NOTICE. IT IS CONFIDENTIAL AND A PROPERTY OF Amphenol LTW. DISCLOSURE TO THIRD PARTY HAS TO BE AUTHORIZED BY Amphenol LTW.

	1	2	3	4	5	6	7	8																																																
F																																																								
E																																																								
D																																																								
C																																																								
B	<table border="1" style="width: 100%; border-collapse: collapse;"> <tr> <td style="width: 12.5%;">Shield</td> <td style="width: 37.5%;">Drain</td> <td style="width: 12.5%;">地線</td> <td style="width: 12.5%;">Shield</td> <td colspan="4"></td> </tr> <tr> <td>4</td> <td>Green</td> <td>綠</td> <td>6</td> <td colspan="4" rowspan="2">Twist</td> </tr> <tr> <td>2</td> <td>White/Green</td> <td>白/綠</td> <td>3</td> </tr> <tr> <td>3</td> <td>Orange</td> <td>橘</td> <td>2</td> <td colspan="4" rowspan="2">Twist</td> </tr> <tr> <td>1</td> <td>White/Orange</td> <td>白/橘</td> <td>1</td> </tr> <tr> <td>C1</td> <td colspan="2">Wire Color</td> <td>C2</td> <td colspan="4"></td> </tr> <tr> <td colspan="8" style="text-align: center;">Pin Out</td> </tr> </table>								Shield	Drain	地線	Shield					4	Green	綠	6	Twist				2	White/Green	白/綠	3	3	Orange	橘	2	Twist				1	White/Orange	白/橘	1	C1	Wire Color		C2					Pin Out							
Shield	Drain	地線	Shield																																																					
4	Green	綠	6	Twist																																																				
2	White/Green	白/綠	3																																																					
3	Orange	橘	2	Twist																																																				
1	White/Orange	白/橘	1																																																					
C1	Wire Color		C2																																																					
Pin Out																																																								
A	<table border="1" style="width: 100%; border-collapse: collapse;"> <tr> <td style="width: 12.5%;">UNIT:mm</td> <td style="width: 12.5%; text-align: center;"></td> <td style="width: 25%;">TITLE N SEN, M12 D -SHLD, SCREW RECEPTACLE, F, F, RJ PLUG</td> <td colspan="2" style="width: 25%; text-align: center;">Amphenol LTW 安費諾亮泰企業股份有限公司</td> <td style="width: 12.5%;">ITEM NO</td> <td style="width: 12.5%;">DRAWN BY Hubert</td> <td style="width: 12.5%;">DATE 2024/05/29</td> </tr> <tr> <td colspan="2">TOLERANCE .X ±0.25 .XX ±0.1 .XXX ±0.05 ANGLES ±1°</td> <td>SCALE 2:1</td> <td>SIZE A4</td> <td>SHEET 2 OF 2</td> <td>DWG NO MSDS-XXPFFJ-SF8AXX</td> <td>CHECKED BY Aric</td> <td>DATE 2024/05/29</td> </tr> <tr> <td colspan="2"></td> <td>REV. F</td> <td>WC-REV.</td> <td>: Inspection item</td> <td>CUSTOMER ALTW</td> <td>APPROVED BY Fred</td> <td>DATE 2024/05/29</td> </tr> </table>								UNIT:mm		TITLE N SEN, M12 D -SHLD, SCREW RECEPTACLE, F, F, RJ PLUG	Amphenol LTW 安費諾亮泰企業股份有限公司		ITEM NO	DRAWN BY Hubert	DATE 2024/05/29	TOLERANCE .X ±0.25 .XX ±0.1 .XXX ±0.05 ANGLES ±1°		SCALE 2:1	SIZE A4	SHEET 2 OF 2	DWG NO MSDS-XXPFFJ-SF8AXX	CHECKED BY Aric	DATE 2024/05/29			REV. F	WC-REV.	: Inspection item	CUSTOMER ALTW	APPROVED BY Fred	DATE 2024/05/29																								
UNIT:mm		TITLE N SEN, M12 D -SHLD, SCREW RECEPTACLE, F, F, RJ PLUG	Amphenol LTW 安費諾亮泰企業股份有限公司		ITEM NO	DRAWN BY Hubert	DATE 2024/05/29																																																	
TOLERANCE .X ±0.25 .XX ±0.1 .XXX ±0.05 ANGLES ±1°		SCALE 2:1	SIZE A4	SHEET 2 OF 2	DWG NO MSDS-XXPFFJ-SF8AXX	CHECKED BY Aric	DATE 2024/05/29																																																	
		REV. F	WC-REV.	: Inspection item	CUSTOMER ALTW	APPROVED BY Fred	DATE 2024/05/29																																																	
	2	3	4	5	6	7	8	W10814-03-0001A2																																																