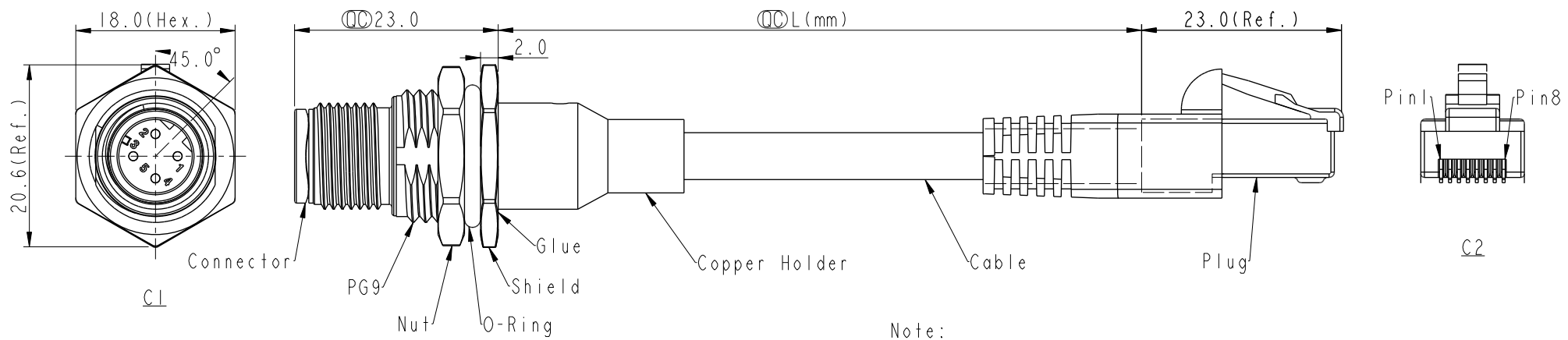


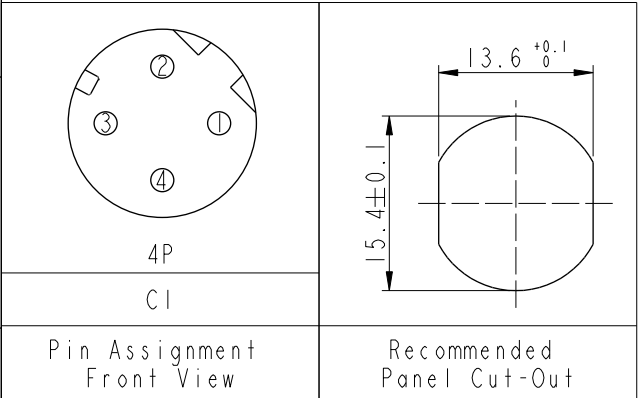
THIS DOCUMENT IS SUBJECT TO CHANGE WITHOUT NOTICE. IT IS CONFIDENTIAL AND A PROPERTY OF AMPHENOL LTW. DISCLOSURE TO THIRD PARTY HAS TO BE AUTHORIZED BY AMPHENOL LTW.

REV.	ECN NO.	DATE	SIGN	DESCRIPTION
C	C221928	2022-12-21	Ruru	$\triangle C$ XI
D	C230057	2023-01-18	Jiahe Lin	$\triangle D$ XI
E	C231031	2023-08-07	Ruru	$\triangle E$ XI

MSDS-XXPMMJ-SF8AXX  
 XX: No. Of Pin  
 XX: L=0~5Meters  
 A5: L=0.5Meters  
 01: L=1Meters  
 02: L=2Meters  
 ...  
 05: L=5Meters



- Note:
- \* RoHS Compliant
  - \*  $\text{⌀}$  Important Dimension
  - \* C1
  - $\triangle C$ \* Waterproof rate: IP68, unmated 1m/24h
  - $\triangle E$  IP69K, mated
  - Housing: Thermoplastic, Black
  - Pin: Copper Alloy, Gold Plated
  - O-Ring: Rubber, Black
  - Shield: Metal
  - Nut: Metal
  - \* C2
  - Waterproof Rate: Non-Waterproof
  - Plug: RJ45, Shielded
  - \* For panel thickness max: 4.5mm
  - $\triangle D$ \* O-Ring and nut are assembled on connectors
  - $\triangle B$ \* Cable: CAT-5E, 22#\*2P+AL/MY+D, OD=6.2mm, PU Jacket, Black
  - \* Cable length tolerance: 0.5M < L ≤ 1M: +60/-0 mm
  - 1M < L ≤ 3M: +120/-0 mm
  - 3M < L ≤ 5M: +160/-0 mm



UNIT:mm	$\text{⌀}$	TITLE N SEN, M12 D -SHLD, SCREW RECEPTACLE, M, M, RJ PLUG	
TOLERANCE .X ±0.25 .XX ±0.1 .XXX ±0.05 ANGLES ±1°	SCALE 2:1	SIZE A4	SHEET 1 OF 2
REV. E	WC-REV.	$\text{⌀}$ : Inspection item	

<b>Amphenol LTW</b> 安費諾亮泰企業股份有限公司		ITEM NO	DRAWN BY	DATE
		DWG NO MSDS-XXPMMJ-SF8AXX	Jiahe Lin	2022-06-22
		CUSTOMER ALTW	CHECKED BY Allen Pan	DATE 2022-06-22
			APPROVED BY Fred Lee	DATE 2022-06-22

THIS DOCUMENT IS SUBJECT TO CHANGE WITHOUT NOTICE. IT IS CONFIDENTIAL AND A PROPERTY OF Amphenol LTW. DISCLOSURE TO THIRD PARTY HAS TO BE AUTHORIZED BY Amphenol LTW.

	2	3	4	5	6	7	8																																											
F																																																		
E																																																		
D																																																		
C																																																		
B	<table border="1" style="width: 100%; border-collapse: collapse;"> <tr> <td style="width: 12.5%;">Shield</td> <td style="width: 12.5%;">Drain</td> <td style="width: 12.5%;">地線</td> <td style="width: 12.5%;">Shield</td> <td colspan="3"></td> </tr> <tr> <td>4</td> <td>Green</td> <td>綠</td> <td>6</td> <td rowspan="2" style="text-align: center;">Twist</td> <td colspan="2"></td> </tr> <tr> <td>2</td> <td>White/Green</td> <td>白/綠</td> <td>3</td> </tr> <tr> <td>3</td> <td>Orange</td> <td>橘</td> <td>2</td> <td rowspan="2" style="text-align: center;">Twist</td> <td colspan="2"></td> </tr> <tr> <td>1</td> <td>White/Orange</td> <td>白/橘</td> <td>1</td> </tr> <tr> <td>C1</td> <td colspan="2" style="text-align: center;">Wire Color</td> <td>C2</td> <td colspan="3"></td> </tr> <tr> <td colspan="7" style="text-align: center;">Pin Out</td> </tr> </table>							Shield	Drain	地線	Shield				4	Green	綠	6	Twist			2	White/Green	白/綠	3	3	Orange	橘	2	Twist			1	White/Orange	白/橘	1	C1	Wire Color		C2				Pin Out						
Shield	Drain	地線	Shield																																															
4	Green	綠	6	Twist																																														
2	White/Green	白/綠	3																																															
3	Orange	橘	2	Twist																																														
1	White/Orange	白/橘	1																																															
C1	Wire Color		C2																																															
Pin Out																																																		
A	<table border="1" style="width: 100%; border-collapse: collapse;"> <tr> <td style="width: 12.5%;">UNIT:mm</td> <td style="width: 12.5%; text-align: center;"></td> <td style="width: 12.5%; text-align: center;"></td> <td style="width: 12.5%;">TITLE N SEN, M12 D -SHLD, SCREW RECEPTACLE, M, M, RJ PLUG</td> <td style="width: 12.5%; text-align: center;"><b>Amphenol LTW</b> 安費諾亮泰企業股份有限公司</td> <td style="width: 12.5%;">ITEM NO</td> <td style="width: 12.5%;">DRAWN BY Jiahe Lin</td> <td style="width: 12.5%;">DATE 2022-06-22</td> </tr> <tr> <td colspan="3">           TOLERANCE            .X ±0.25            .XX ±0.1            .XXX ±0.05            ANGLES ±1°         </td> <td>           SCALE 2:1            SIZE A4            SHEET 2 OF 2         </td> <td rowspan="2" style="text-align: center;">QC: Inspection item</td> <td>DWG NO MSDS-XXPMMJ-SF8AXX</td> <td>CHECKED BY Allen Pan</td> <td>DATE 2022-06-22</td> </tr> <tr> <td colspan="3"></td> <td>REV. E</td> <td>WC-REV.</td> <td>CUSTOMER ALTW</td> <td>APPROVED BY Fred Lee</td> <td>DATE 2022-06-22</td> </tr> </table>							UNIT:mm			TITLE N SEN, M12 D -SHLD, SCREW RECEPTACLE, M, M, RJ PLUG	<b>Amphenol LTW</b> 安費諾亮泰企業股份有限公司	ITEM NO	DRAWN BY Jiahe Lin	DATE 2022-06-22	TOLERANCE .X ±0.25 .XX ±0.1 .XXX ±0.05 ANGLES ±1°			SCALE 2:1 SIZE A4 SHEET 2 OF 2	QC: Inspection item	DWG NO MSDS-XXPMMJ-SF8AXX	CHECKED BY Allen Pan	DATE 2022-06-22				REV. E	WC-REV.	CUSTOMER ALTW	APPROVED BY Fred Lee	DATE 2022-06-22																			
UNIT:mm			TITLE N SEN, M12 D -SHLD, SCREW RECEPTACLE, M, M, RJ PLUG	<b>Amphenol LTW</b> 安費諾亮泰企業股份有限公司	ITEM NO	DRAWN BY Jiahe Lin	DATE 2022-06-22																																											
TOLERANCE .X ±0.25 .XX ±0.1 .XXX ±0.05 ANGLES ±1°			SCALE 2:1 SIZE A4 SHEET 2 OF 2	QC: Inspection item	DWG NO MSDS-XXPMMJ-SF8AXX	CHECKED BY Allen Pan	DATE 2022-06-22																																											
			REV. E		WC-REV.	CUSTOMER ALTW	APPROVED BY Fred Lee	DATE 2022-06-22																																										
	2	3	4	5	6	7	8																																											