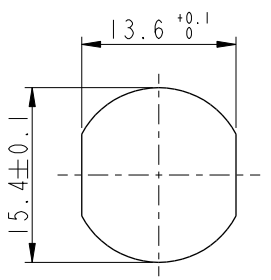


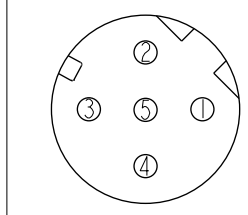
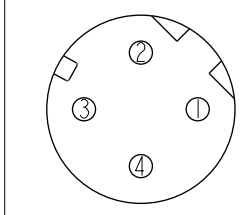
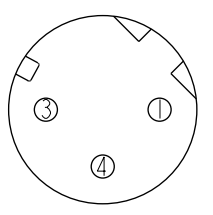
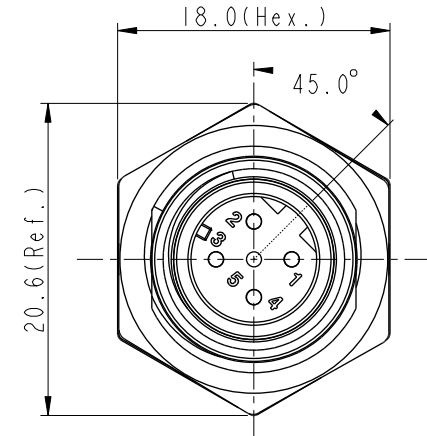
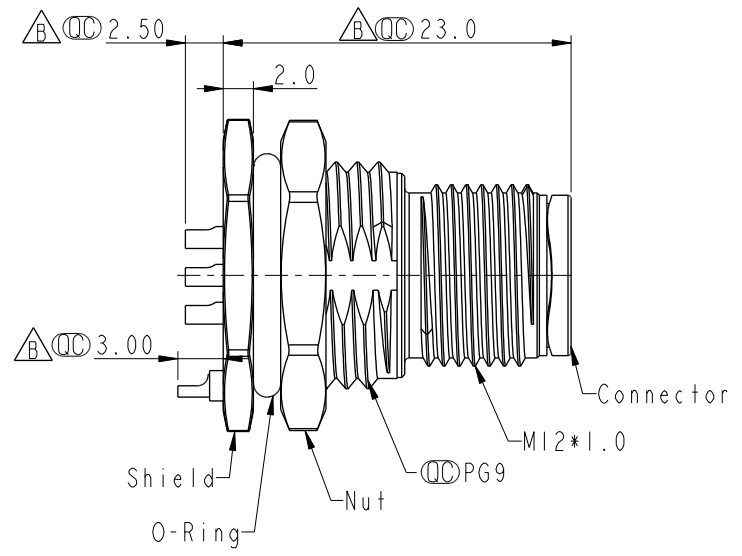
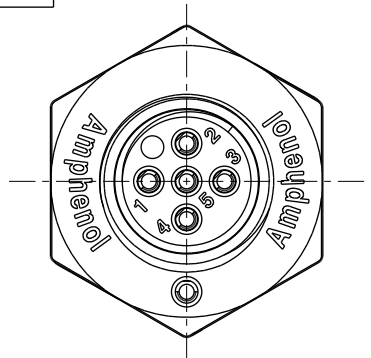
THIS DOCUMENT IS SUBJECT TO CHANGE WITHOUT NOTICE. IT IS CONFIDENTIAL AND A PROPERTY OF Amphenol LTW. DISCLOSURE TO THIRD PARTY HAS TO BE AUTHORIZED BY Amphenol LTW.

REV.	ECN NO.	DATE	SIGN	DESCRIPTION
C	C210309	2021/03/12	Ruru	△C X3
D	C221973	2022/12/26	Ruru	△D XI
E	C231034	2023/08/10	Ruru	△E XI



△B
MSDS-XXPMMS-SF8001
XX: No. Of Pin

Recommended Panel Cut-Out



Pin Assignment Front View

- △B△C Note:
- * RoHS Compliant
 - * ∅ Important dimension
 - △D * Waterproof rate: IP68, unmated 1m/24h
△E IP69K, mated
 - * Connector
Housing: Thermoplastic, Black
Pin: Copper alloy, Gold plated
 - * Shield: Metal
 - * Nut: Metal
 - * O-Ring: Rubber, Black
 - * For panel thickness max: 4.5mm
 - * Nut is packed separately in pe bag

UNIT: mm			TITLE N SEN, M12 D -SHLD, SCREW RECEPTACLE, M, M, SOLDER △C
TOLERANCE .X ±0.25 .XX ±0.1 .XXX ±0.05 ANGLES ±1°			
SCALE 3:2	SIZE A4	SHEET 1 OF 1	
REV. E	WC-REV. A.5	∅∅: Inspection item	

Amphenol LTW
安費諾亮泰企業股份有限公司

ITEM NO	DRAWN BY Peng	DATE 2018-08-22
DWG NO △B MSDS-XXPMMS-SF8001	CHECKED BY Mafei	DATE 2018-08-22
CUSTOMER ALTW	APPROVED BY Jerry	DATE 2018-08-22