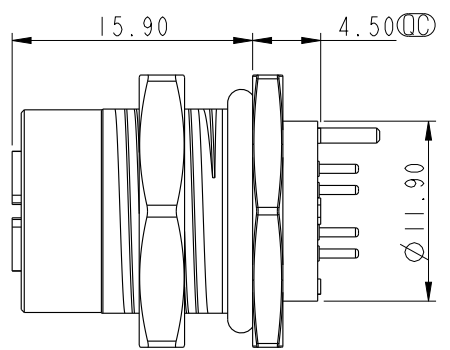
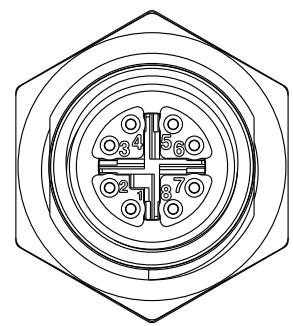
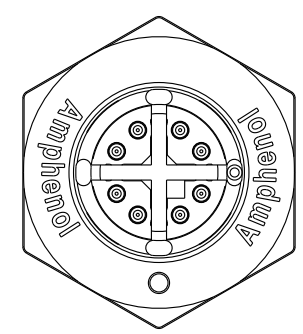
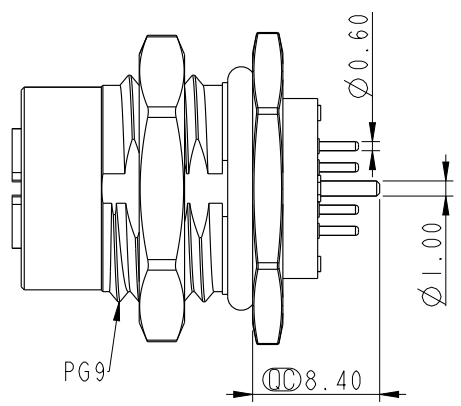
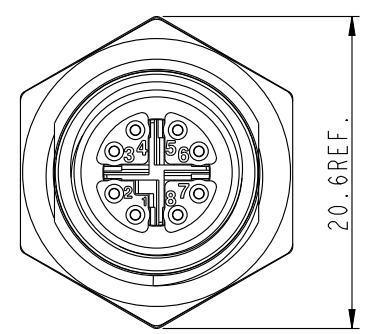
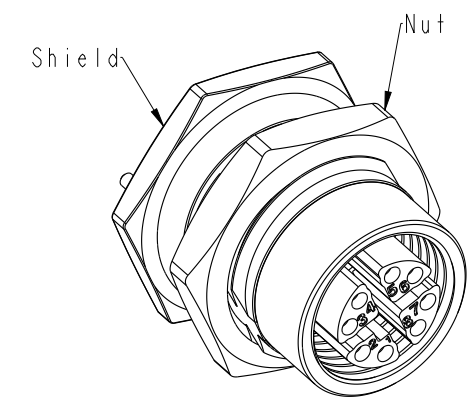


THIS DOCUMENT IS SUBJECT TO CHANGE WITHOUT NOTICE. IT IS CONFIDENTIAL AND A PROPERTY OF Amphenol LTW. DISCLOSURE TO THIRD PARTY HAS TO BE AUTHORIZED BY Amphenol LTW.

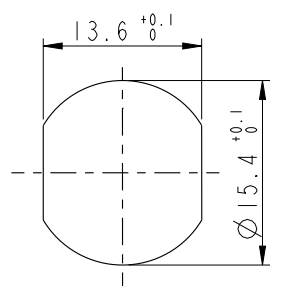
REV.	ECN NO.	DATE	SIGN	DESCRIPTION
B	C221112	2022/07/19	Na Liu	$\triangle B$ XI
C	C230011	2023/01/05	Vicky	$\triangle C$ XI
D	C231341	2023/10/23	JC Chen	$\triangle D$ XI



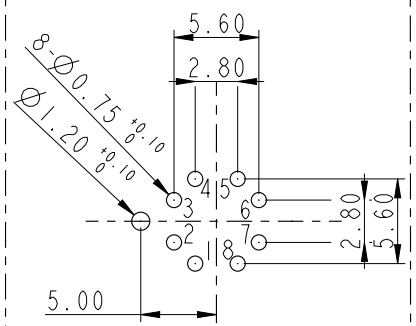
MSXS-XXPFFP-SF7002  
 XX: No.Of Pin



Conn.  
Pin Assignment  
Front View



Recommended  
Panel Cut-out



Recommended PCB Layout

- $\triangle$  Note:
- \*  $\text{CC}$  Important Dimension To Check.
  - \* Waterproof Rate: IP67, Unmated.
  - \* Connector: Thermoplastic, Black.
  - \* Female Pin: Copper Alloy, Gold Plated.
  - \* Shield: Copper alloy, Nickel Plated.
  - \* Screw Nut: Metal, Nickel Plated.
  - \* O-Ring1: Rubber, Gray.
  - \* O-Ring2: Rubber, Gray.
  - \* For Panel Thickness Range: 2.0~3.0mm.
  - \* For PCB Thickness Max. 1.6mm.
  - \* Nut is packed separately in PE bag.

UNIT: mm		TITLE	N SEN, M12 X -SHLD, SCREW RECEPTACLE, F, F, PCB S	
TOLERANCE		SCALE	SIZE	SHEET OF
.X	$\pm 0.25$	2:1	A4	1 OF 1
.XX	$\pm 0.1$	REV.	WC-REV.	
.XXX	$\pm 0.05$	D	A.1	
ANGLES	$\pm 1^\circ$			$\text{CC}$ : Inspection item

**Amphenol LTW**  
 安費諾亮泰企業股份有限公司

ITEM NO	DRAWN BY	DATE
	Na Liu	2022/07/09
DWG NO	CHECKED BY	DATE
$\triangle B$ MSXS-XXPFFP-SF7002	Fisher Wang	2022/07/09
CUSTOMER	APPROVED BY	DATE
ALTW	Max Yang	2022/07/09