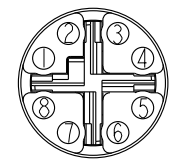
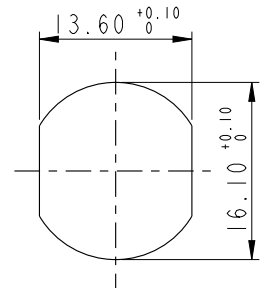


THIS DOCUMENT IS SUBJECT TO CHANGE WITHOUT NOTICE. IT IS CONFIDENTIAL AND A PROPERTY OF Amphenol LTW. DISCLOSURE TO THIRD PARTY HAS TO BE AUTHORIZED BY Amphenol LTW.

REV.	ECN NO.	DATE	SIGN	DESCRIPTION
E	C211548	2021/10/21	Xiaofeng	△EXI
F	C230013	2023/01/06	Vicky	△FXI
G	C231142	2023/09/07	Lavy	△GXI



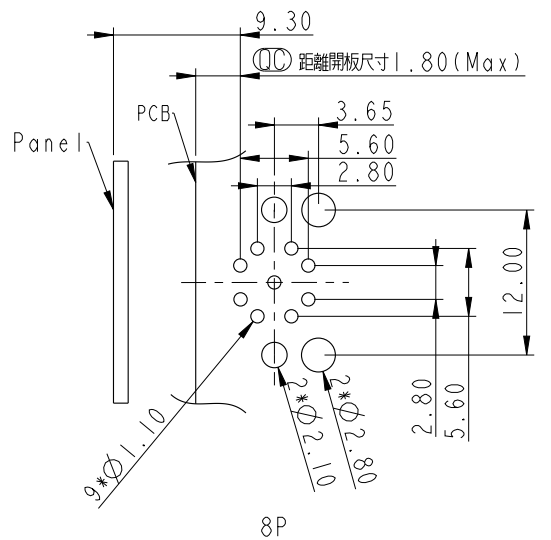
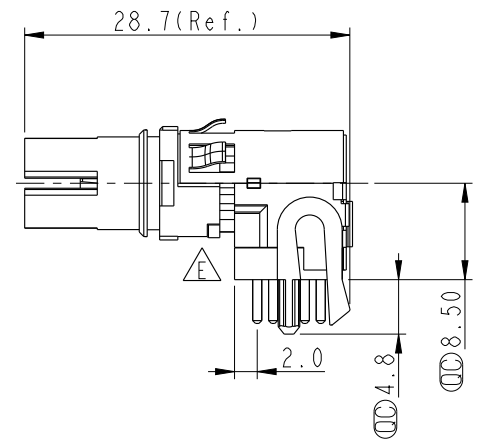
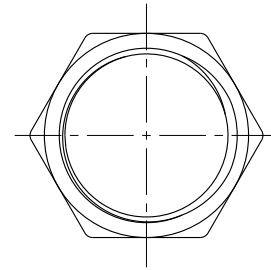
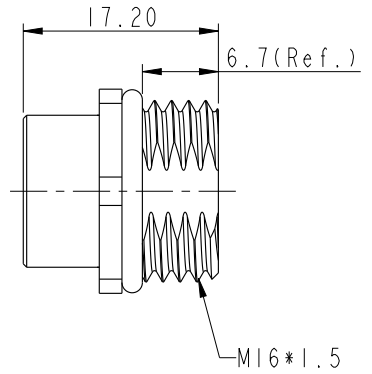
8P

Recommended Panel Cut-out

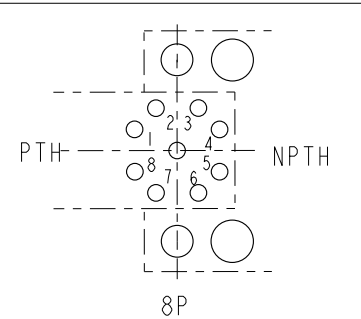
Pin Assignments Front View

△MSXS-XXPFFR-SH7002

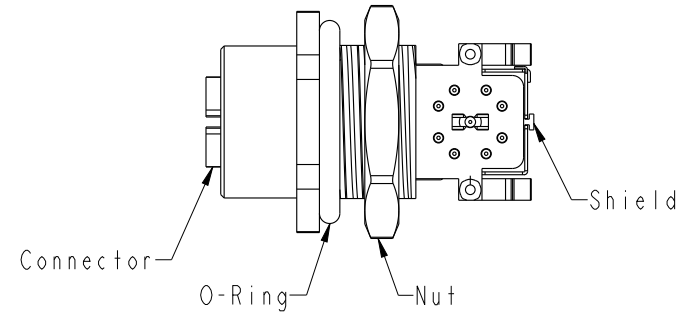
XX: No. Of Pin



PCB Layout



Pin Definition



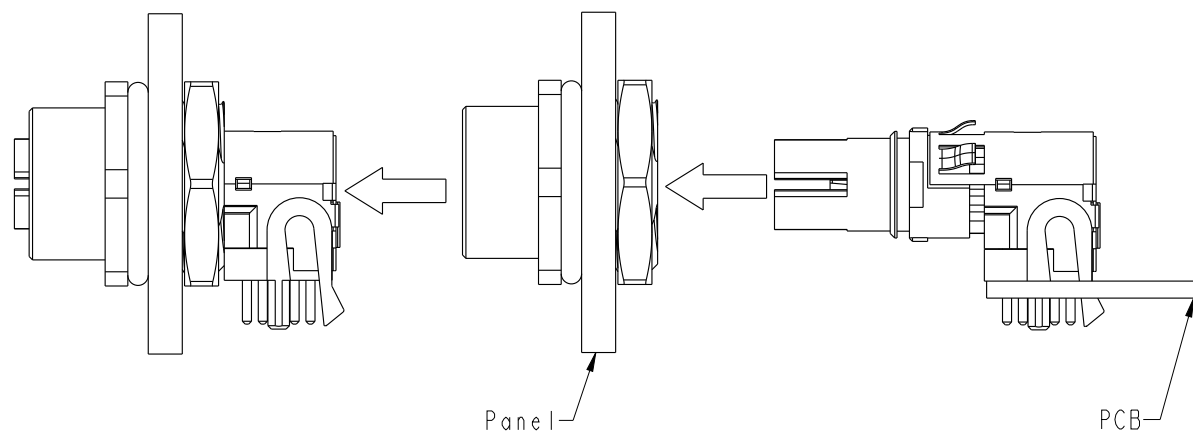
UNIT: mm		
TOLERANCE	.X ±0.25	.XX ±0.1
.XXX ±0.05		
ANGLES	±1°	

TITLE N SEN, M12 X -SHLD, SCREW RECEPTACLE, F, F, PCB R			△D
SCALE Free	SIZE A4	SHEET 1 OF 2	
REV. G	WC-REV. .0	◎: Inspection item	

Amphenol LTW
安費諾亮泰企業股份有限公司

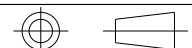
ITEM NO	DRAWN BY Xiaofeng	DATE 2019/06/13
DWG NO MSXS-XXPFFR-SH7002	CHECKED BY Feng-Li	DATE 2019/06/13
CUSTOMER ALTW	APPROVED BY Jerry	DATE 2019/06/13

Assembly:



- Note:**
- * RoHS Compliant
 - * \varnothing Important dimension
 - F** * Waterproof rate: IP67, mated
 - * Connector
 - Housing: Thermoplastic, Black
 - Pin: Copper alloy, Gold plated
 - Gasket: Rubber, Black
 - C** * Shield: Metal
 - C** * Nut: Metal
 - * O-Ring: Rubber, Black
 - G** * For panel thickness: 0.6~3.0mm
 - * For pcb thickness: 1.6~2.4mm
 - * Nut is packed separately in PE bag

UNIT: mm



TITLE N SEN, M12 X -SHLD, SCREW RECEPTACLE, F, F, PCB R			
SCALE Free	SIZE A4	SHEET 2 OF 2	
REV. G	WC-REV.	\varnothing : Inspection item	

Amphenol LTW
安費諾亮泰企業股份有限公司

ITEM NO	DRAWN BY Xiaofeng	DATE 2019/06/13
DWG NO \triangle MSXS-XXPFFR-SH7002	CHECKED BY Feng-Li	DATE 2019/06/13
CUSTOMER ALTW	APPROVED BY Jerry	DATE 2019/06/13