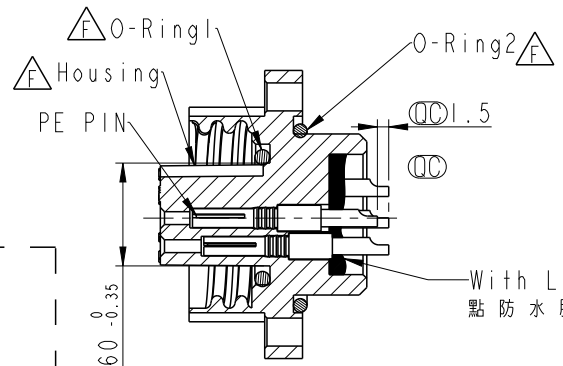
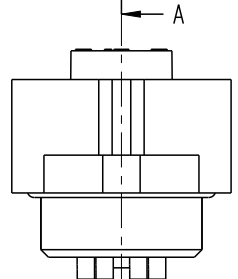
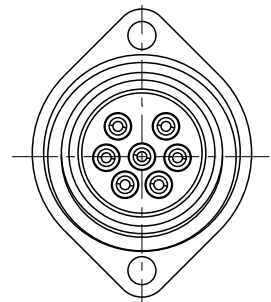
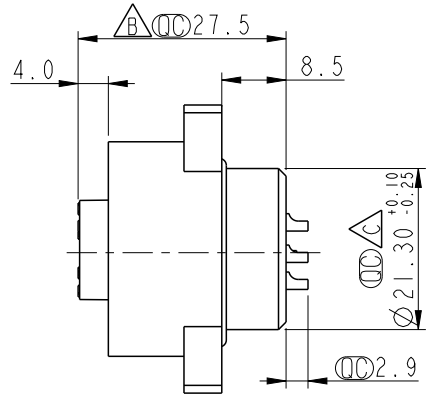
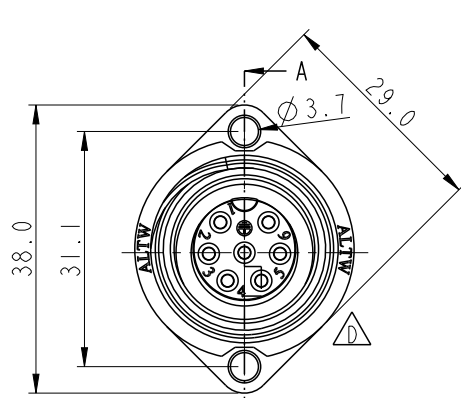
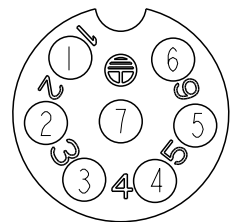


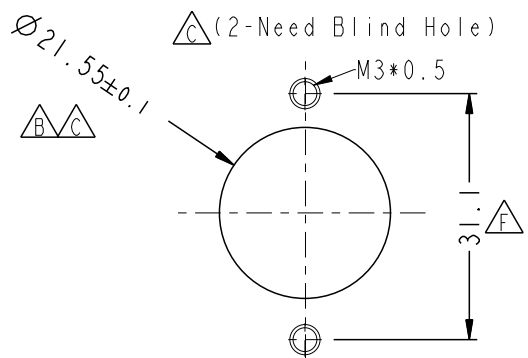
REV.	ECN NO.	DATE	SIGN	DESCRIPTION
D	LEN15A0438	2015/10/26	Ruru	Change Logo
E	C231165	2023/09/07	Kyle Huang	△E X1
F	C241076	2024/09/24	Zed Tseng	△F X4



Section A-A



Pin Assignments
Front View 前視圖



Recommended Panel Cut-Out

- Note:
- * ⌀ Important Dimension
 - * Waterproof Rate: IP67, Mated
 - * One Set in One LTW Sealed Bag (每一組裝，放置於一個 LTW 封口袋)
 - * Housing: Nylon+GF, Black
 - * Female Pin: Copper Alloy, Gold Plated
 - * O-Ring1: EPDM 70, Black
 - * O-Ring2: Silicone 60, Gray
 - * Liquid Glue: Clear

UNIT: mm		
TOLERANCE	.X ±0.25	
.XX ±0.1		
.XXX ±0.05		
ANGLES	±1°	

TITLE Power, Panel Screw 7P F Conn F Pin			
SCALE 1:1	SIZE A4	SHEET 1 OF 1	
REV. F	WC-REV. A.6	⌀: Inspection item	

Amphenol LTW
安費諾亮泰企業股份有限公司

ITEM NO. PWE-07PFFS-SC7001	DRAWN BY Zed	DATE 2024-09-24
DWG NO. PWE-07PFFS-SC7001	CHECKED BY Aric	DATE 2024-09-24
CUSTOMER ALTW	APPROVED BY Fred	DATE 2024-09-24

THIS DOCUMENT IS SUBJECT TO CHANGE WITHOUT NOTICE. IT IS CONFIDENTIAL AND A PROPERTY OF Amphenol LTW. DISCLOSURE TO THIRD PARTY HAS TO BE AUTHORIZED BY Amphenol LTW.