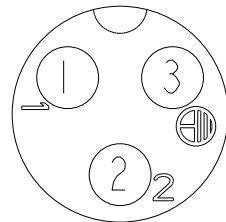
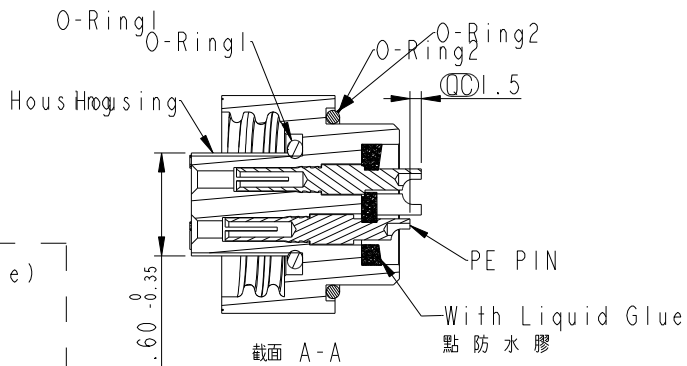
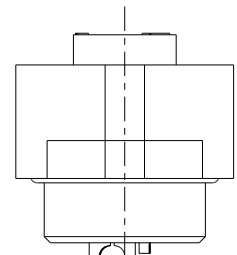
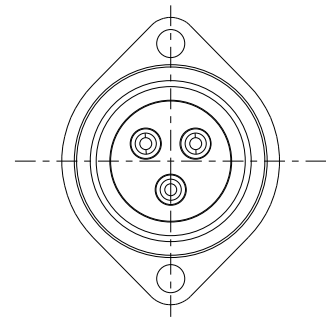
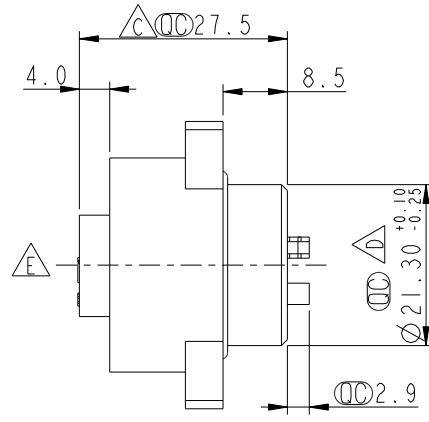
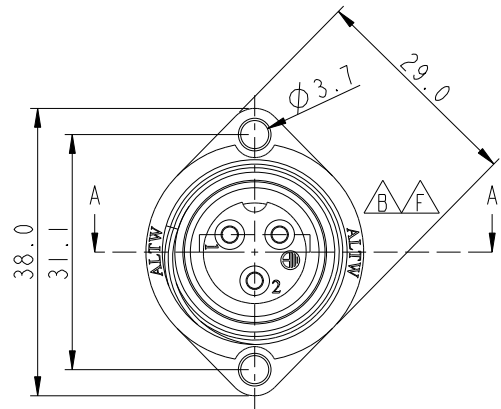
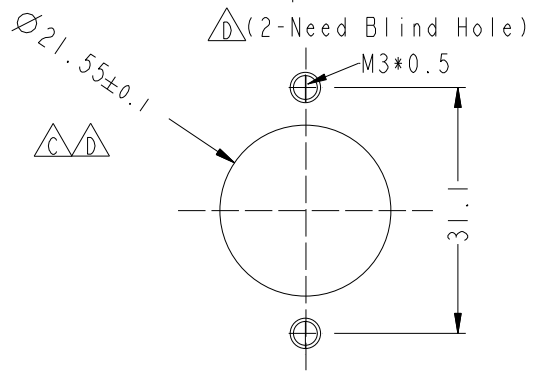


REV.	ECN NO.	DATE	SIGN	DESCRIPTION
E	LEN11C0007	2011/12/06	Tony	Delete Dimension $\varnothing 13.1$
F	LEN15A0426	2015/10/14	Ruru	Change Logo
G	C231165	2023/09/07	Kyle Huang	$\triangle G$ XI



Pin Assignments  
Front View 前視圖



Recommended Panel Cut-Out

- Note:
- \*  $\varnothing$  Important Dimension
  - \* Waterproof Rate: IP67, Mated
  - \* One Set in One LTW Sealed Bag (每一組裝, 放置於一個 LTW 封口袋)
  - \* Housing: Nylon+GF, Black.
  - \* Female Pin: Copper Alloy, Gold Plated
  - \* O-Ring1: EPDM 70, Black
  - \* O-Ring2: Silicone 60, Gray
  - \* Liquid Glue: Clear

UNIT: mm TOLERANCE .X ±0.25 .XX ±0.1 .XXX ±0.05 ANGLES ±1°	TITLE Power, Panel Screw 3P F Conn F Pin		<b>Amphenol LTW</b> 安費諾亮泰企業股份有限公司		ITEM NO PWF-03PFFS-SC7001	DRAWN BY Ruru	DATE 2015-10-14
	SCALE 1:1	SIZE A4	SHEET 1 OF 1	DWG NO PWF-03PFFS-SC7001	CHECKED BY Rita	DATE 2015-10-14	
	REV. G	WC-REV. A.6	$\varnothing$ : Inspection item	CUSTOMER ALTW	APPROVED BY Lisa	DATE 2015-10-14	
							W10814-03-01A2

THIS DOCUMENT IS SUBJECT TO CHANGE WITHOUT NOTICE. IT IS CONFIDENTIAL AND A PROPERTY OF Amphenol LTW. DISCLOSURE TO THIRD PARTY HAS TO BE AUTHORIZED BY Amphenol LTW.