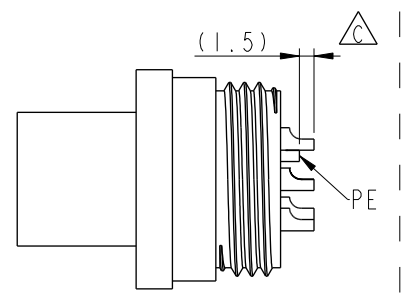
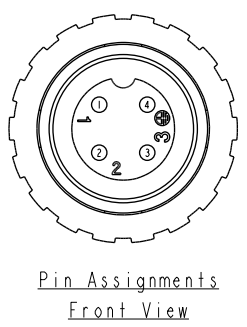
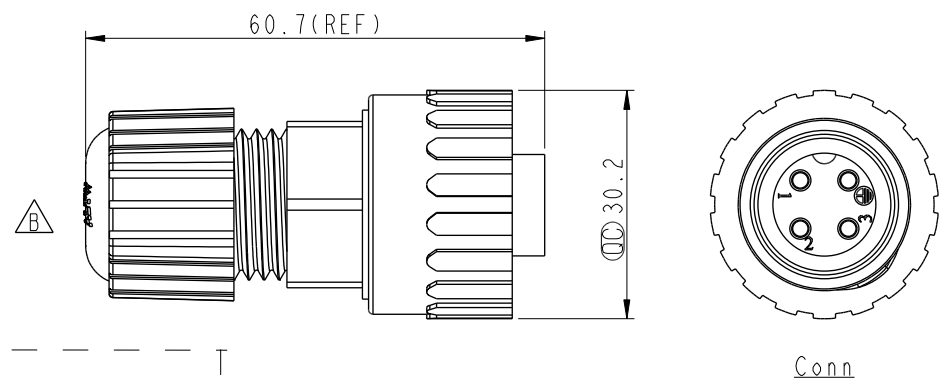
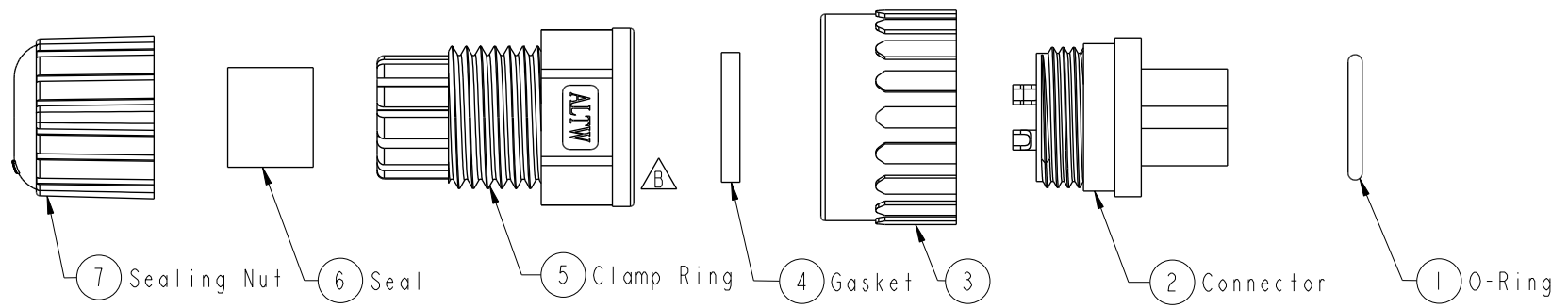


THIS DOCUMENT IS SUBJECT TO CHANGE WITHOUT NOTICE. IT IS CONFIDENTIAL AND A PROPERTY OF AMPHENOL LTW. DISCLOSURE TO THIRD PARTY HAS TO BE AUTHORIZED BY AMPHENOL LTW.

REV.	ECN NO.	DATE	SIGN	DESCRIPTION
B	LEN1520290	2015/02/13	Lu Di	Update LOGO
C	C211621	2021/11/30	Li Dai	$\triangle C$ X1
D	C231296	2023/10/12	Vicky	$\triangle D$ X2



- Note:
- * \varnothing Important Dimension To Check.
 - * Waterproof Rate: IP67
 - * Housing: Black, Nylon+GF
 - * Pin: Copper Alloy, Gold Plated
 - * Screw Nut: Black, Nylon+GF
 - * Gasket: Black, Silicone
 - * Ring: Black, EPDM
 - * Clamp Ring: Black, Nylon
 - * Sealing Nut: Black, Nylon
 - * Seal For Cable OD: \varnothing 5.5mm~10.8mm
 - $\triangle D$ * One set unassembled in one pe bag

UNIT:mm	\varnothing	∇	TITLE PWR, 12A, CABLE W/O SR F, F, FI SOLDER, SCREW
TOLERANCE .X ± 0.25 .XX ± 0.1 .XXX ± 0.05 ANGLES $\pm 1^\circ$	SCALE 1:1	SIZE A4	SHEET 1 OF 1
REV. D	WC-REV. A.5	\varnothing : Inspection item	

Amphenol LTW
安費諾亮泰企業股份有限公司

ITEM NO. PWF-04BFFA-SL7001	DRAWN BY Lu Di	DATE 2015/02/13
DWG NO. PWF-04BFFA-SL7001	CHECKED BY Joyy	DATE 2015/02/13
CUSTOMER ALTW	APPROVED BY Jerry	DATE 2015/02/13