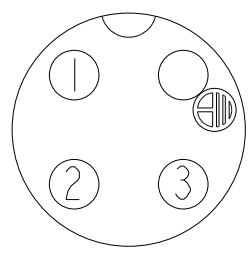
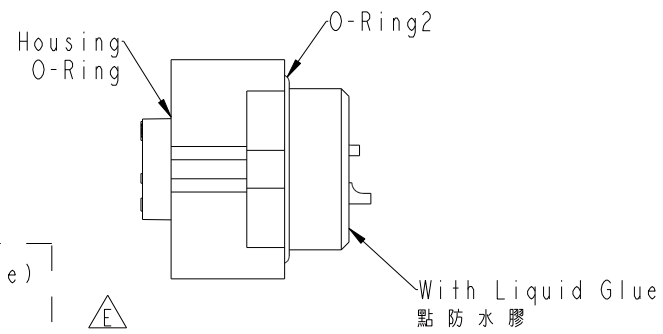
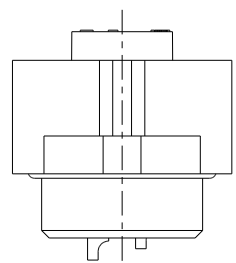
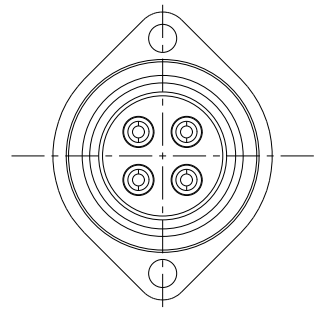
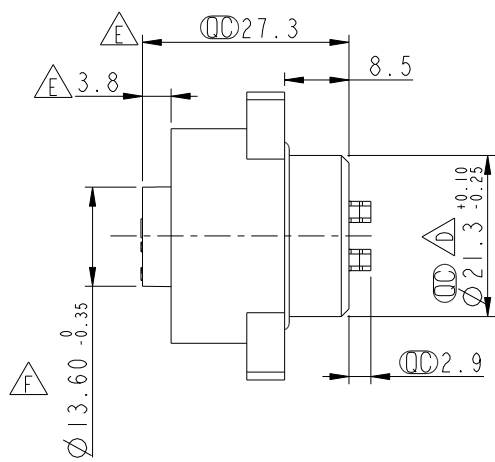
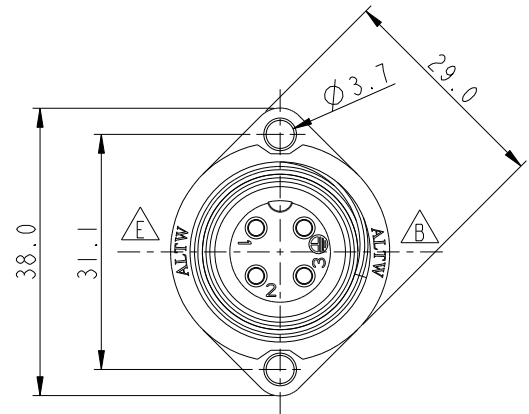
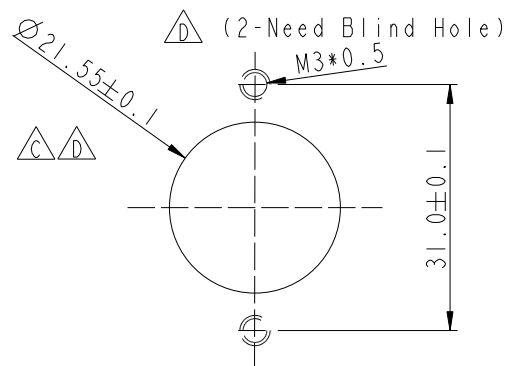


THIS DOCUMENT IS SUBJECT TO CHANGE WITHOUT NOTICE. IT IS CONFIDENTIAL AND A PROPERTY OF Amphenol LTW. DISCLOSURE TO THIRD PARTY HAS TO BE AUTHORIZED BY Amphenol LTW.

REV.	ECN NO.	DATE	SIGN	DESCRIPTION
D	LEN1190167	2011/08/26	Tony	Modify Dimension & Note
E	LEN14B0315	2014/11/13	Sam	Update Logo&View&Dimension.
F	C231165	2023/09/07	Kyle Huang	△ F XI



Pin Assignments
Front View前視圖



Recommended Panel Cut-Out

- Note:
- * ⌀ Important Dimension.
 - * Waterproof Rate : IP67, Mated
 - * One Set in One LTW Sealed Bag (每一組裝, 放置於一個 LTW 封口袋)
 - * Housing: Nylon+GF, Black.
 - * Female Pin: Copper Alloy, Gold Plated
 - * O-Ring1: EPDM 70, Black.
 - * O-Ring2: Silicone 60, Gray.
 - * Liquid Glue: Clear.

UNIT: mm		
TOLERANCE	.X ±0.25	
.XX	±0.1	
.XXX	±0.05	
ANGLES	±1°	

TITLE Power, Panel Screw 4P F Conn F Pin			
SCALE 1:1	SIZE A4	SHEET 1 OF 1	
REV. F	WC-REV. A.4	⌀: Inspection item	

Amphenol LTW
安費諾亮泰企業股份有限公司

ITEM NO. PWF-04PFFS-SC7001	DWG NO. PWF-04PFFS-SC7001	CUSTOMER ALTW
-------------------------------	------------------------------	------------------

DRAWN BY Sam	CHECKED BY Vicky	APPROVED BY Rita
-----------------	---------------------	---------------------

DATE 2014-11-13	DATE 2014-11-13	DATE 2014-11-13
--------------------	--------------------	--------------------