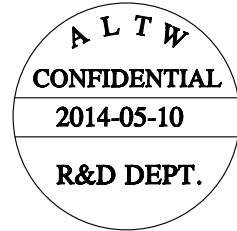
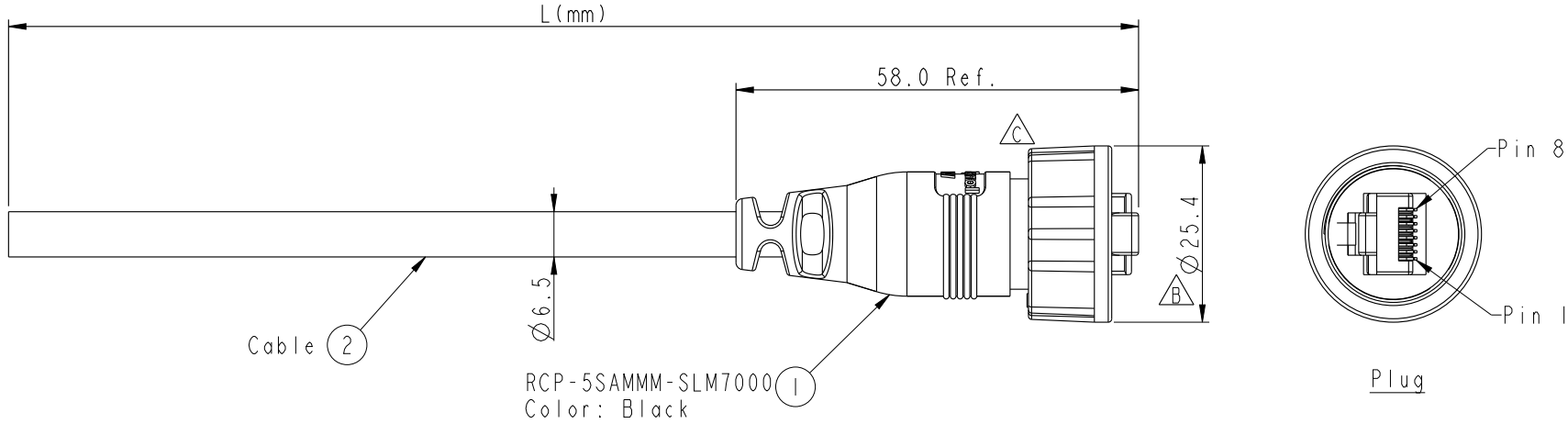


THIS DOCUMENT IS SUBJECT TO CHANGE WITHOUT NOTICE. IT IS CONFIDENTIAL AND A PROPERTY OF Amphenol LTW. DISCLOSURE TO THIRD PARTY HAS TO BE AUTHORIZED BY Amphenol LTW.

REV.	ECN NO.	DATE	SIGN	DESCRIPTION
B	LEN1440191	2014/05/10	Tom	Updated The Note
C	C231389	2023/08/23	XianKun	$\triangle C$ *1



Pin Out		
Wire Color		Plug
Drain Wire	接地	Shield
Brown	棕	8
Brown/white	棕白	7
Green	綠	6
Blue/white	藍白	5
Blue	藍	4
Green/white	綠白	3
Orange	橙	2
Orange/white	橙白	1

RCP-5SAMMM-SLM7BXX

XX: 01~99Meter  
 01: 01Meter  
 02: 02Meters  
 ...  
 99: 99Meters  
 Cable Length(L):01~99Meters

X:  
 (B)CAT5E FTP

- Note:
- \*  $\textcircled{C}$  Important Dimension
  - \* Waterproof Rate: IP67.
  - \* Plug: PC, UL94V-2, Gold Plated, Shielded
  - \*  $\triangle B$  Screw Nut: Nylon+GF, Black.
  - \* Gasket: EPDM, Black.
  - \* Cable: 24AWG\*4P, Black, UV Resistant  
 (B)CAT5E FTP, OD Max.:  $\textcircled{C}$ 6.5.
  - \* Cable Length Tolerance:
    - 01M:  $\pm 40$ mm
    - 02~05M:  $\pm 60$ mm
    - 06~10M:  $\pm 100$ mm
    - 11~30M:  $\pm 200$ mm
    - 30~99M:  $\pm 500$ mm

UNIT: mm		TITLE		ITEM NO	DRAWN BY	DATE
		RJ45, C SIZE CABLE SCREW 5E M CONN M PIN		RCP-5SAMMM-SLM7BXX	Tom	2014-05-10
TOLERANCE		SCALE	SIZE	SHEET	CHECKED BY	DATE
.X $\pm 0.25$		1:1	A4	1	Jerry	2014-05-10
.XX $\pm 0.1$		REV.	WC-REV.	$\textcircled{C}$ : Inspection item	APPROVED BY	DATE
.XXX $\pm 0.05$		C	B.4		VICTOR	2014-05-10
ANGLES $\pm 1^\circ$		Amphenol LTW 安費諾亮泰企業股份有限公司		CUSTOMER		
				ALTW		