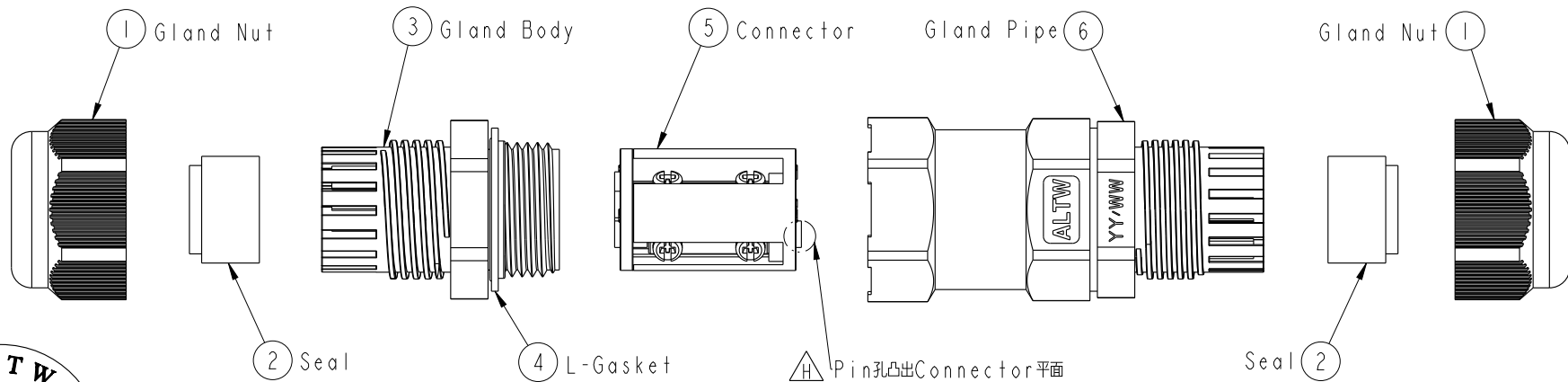
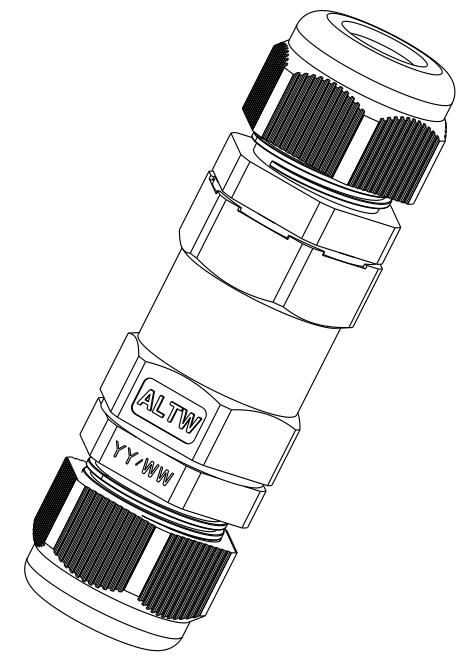
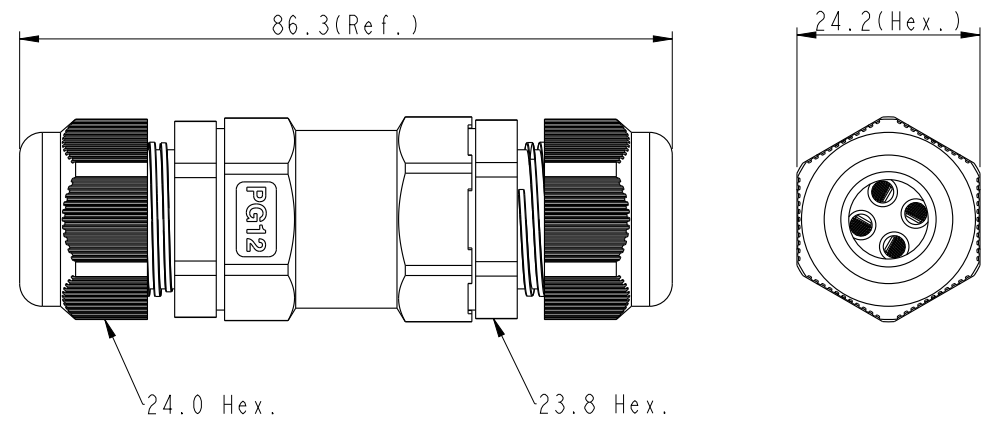
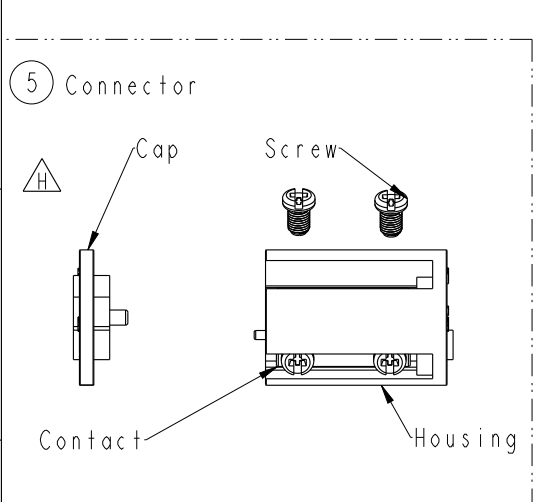


REV.	ECN NO.	DATE	SIGN	DESCRIPTION
F	LEN1790155~70	2017-08-30	Lingpeng	Update The Note
G	NI80019	2019-03-14	Lingpeng	Add All Seals Product
H	NI80019	2023-07-21	He long	$\triangle H$ *3



ALTW
CONFIDENTIAL
 2019-03-14
R&D DEPT.



UNIT:mm

TOLERANCE $\pm 0.5mm$

TITLE PG12 Cable Joiner
Screw-in Type

SCALE 1:1 SIZE A4 SHEET 1 OF 2

REV. H WC-REV. .0 Inspection item

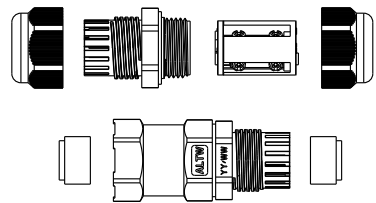
Amphenol LTW
 安費諾亮泰企業股份有限公司

ITEM NO	DRAWN BY	DATE
DWG NO	CHECKED BY	DATE
CUSTOMER	APPROVED BY	DATE

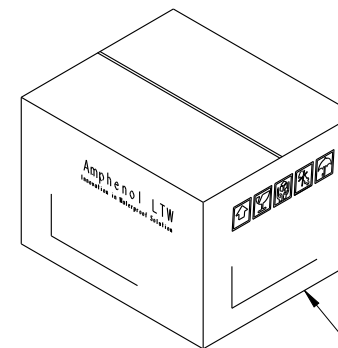
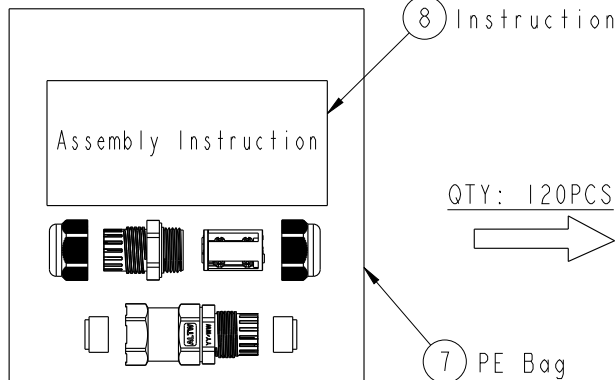
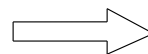
ALTW

THIS DOCUMENT IS SUBJECT TO CHANGE WITHOUT NOTICE. IT IS CONFIDENTIAL AND A PROPERTY OF Amphenol LTW. DISCLOSURE TO THIRD PARTY HAS TO BE AUTHORIZED BY Amphenol LTW.

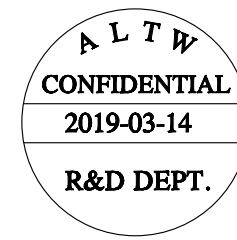
THIS DOCUMENT IS SUBJECT TO CHANGE WITHOUT NOTICE. IT IS CONFIDENTIAL AND A PROPERTY OF Amphenol LTW. DISCLOSURE TO THIRD PARTY HAS TO BE AUTHORIZED BY Amphenol LTW.



QTY: 1PCS



QTY: 120PCS



Both A Unassembled product And An Instruction Are In A PE Bag.
(將一套未組裝的產品和說明書, 放置於一個PE袋, 並封口)

Note:

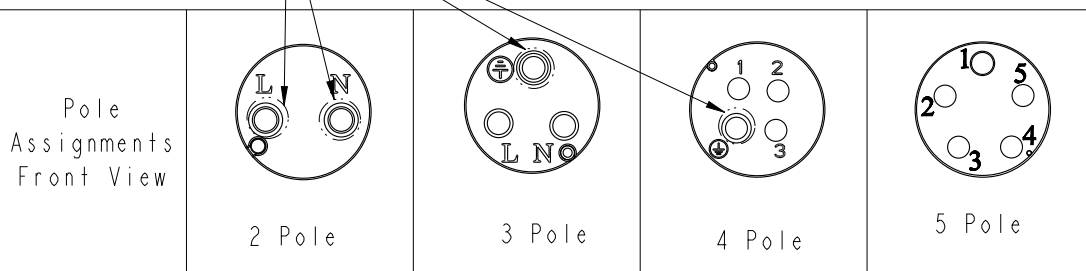
- * Important Dimension To Check.
- * Waterproof Rate: IP68 (50M, 24H)
- * Housing & Cap: PA66+GF, Black.
- * Gland Pipe: PA66, Black.
- * Gland Body: PA66, Black.
- * Gland Nut: PA6+GF, Black.
- * Contact: Brass, Nickel Plated
- * L-Gasket : Silicone, Yellow.
- * Seal: Silicone, Blue & Yellow & Green & Red.
- * Rated Voltage: 2~5 Pole 450V AC
- * Rated Current: 2 & 3 Pole Max. 20A ,
4 Pole Max. 15A,
5 Pole Max. 8A.
- * Operating Temperature: -40°~+105°.
- * Gland Body Recommended Tightening Torque:
8~10 Kgf.cm(0.78~0.98 N.m)
- * Gland Nut Recommended Tightening Torque:
8~10 Kgf.cm(0.78~0.98 N.m)
- * Seal For Cable OD: $\varnothing 4.5\sim\varnothing 6.5$ mm, Blue.
 $\varnothing 6.5\sim\varnothing 8.5$ mm, Yellow.
 $\varnothing 8.5\sim\varnothing 10.5$ mm, Green .
 $\varnothing 10.5\sim\varnothing 11.5$ mm, Red.
- * Screws for Wire connection recommended tightening torque: 2.00~4.50 kgf.cm / 0.196~0.44 N.m
- * Applicable Wire gauge (Stranded wire cross section) 0.75mm² (18AWG) ~ 2.5mm² (14AWG)

SC-L-PG12-XX-XX
L: Cable Joiner
Type: PG12

Seal's Color: BL-Blue(藍色) For Cable Range: $\varnothing 4.5\sim\varnothing 6.5$ mm
YW-Yellow(黃色) For Cable Range: $\varnothing 6.5\sim\varnothing 8.5$ mm
GN-Green(綠色) For Cable Range: $\varnothing 8.5\sim\varnothing 10.5$ mm
RD-Red(紅色) For Cable Range: $\varnothing 10.5\sim\varnothing 11.5$ mm
 AA-All Seals For Cable Range: $\varnothing 4.5\sim\varnothing 11.5$ mm

No. of Conductor: 02-2Poles
03-3Poles
04-4Poles
05-5Poles

Pin孔凸出Connector平面



UNIT:mm
TOLERANCE ± 0.5 mm

TITLE PG12 Cable Joiner Screw-in Type			
SCALE 1:1	SIZE A4	SHEET 2 OF 2	
REV. H	WC-REV. .0	Inspection item	

Amphenol LTW
安費諾亮泰企業股份有限公司

ITEM NO	DRAWN BY Lingpeng	DATE 2019-03-14
DWG NO SC-L-PG12-XX-XX	CHECKED BY Ma Fei	DATE 2019-03-14
CUSTOMER ALTW	APPROVED BY Jerry	DATE 2019-03-14