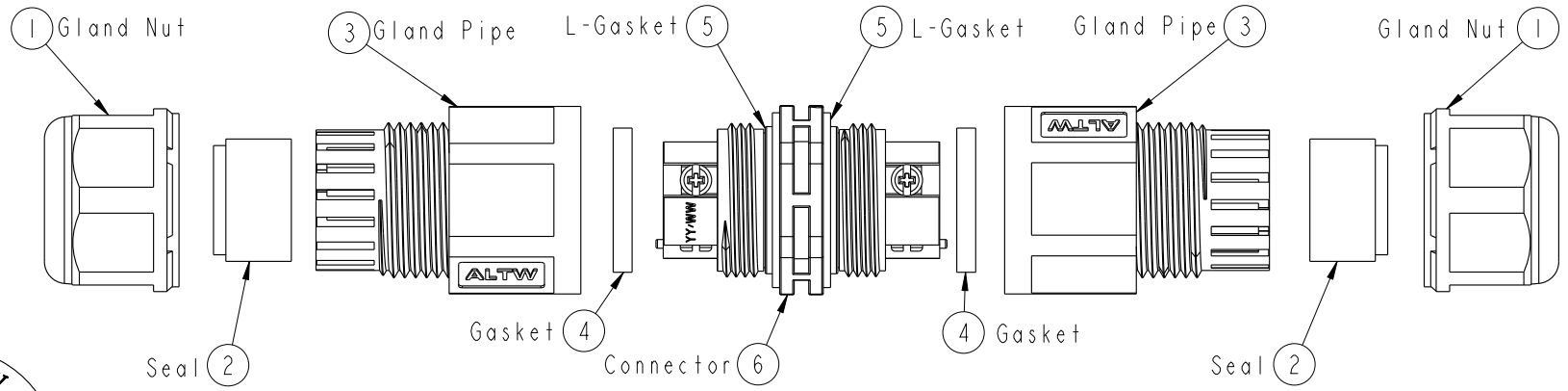
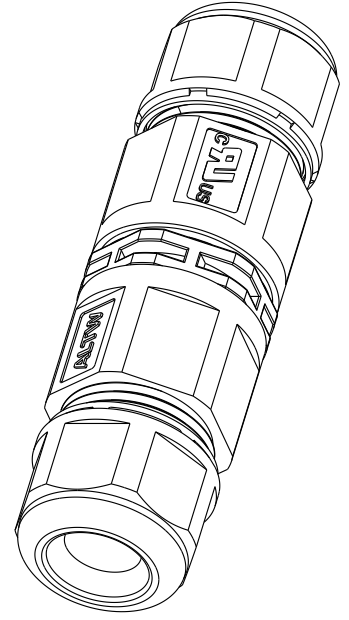
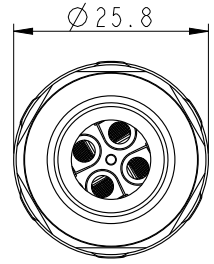
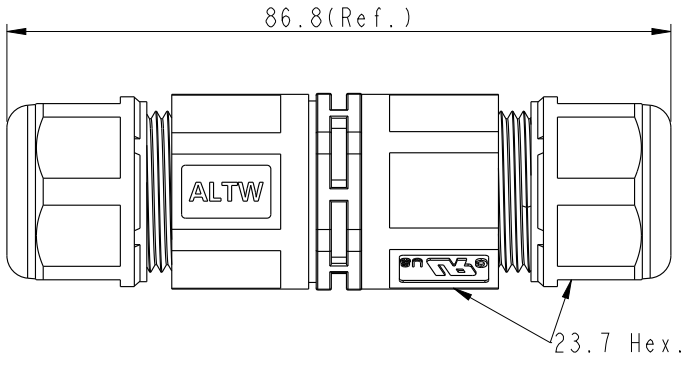
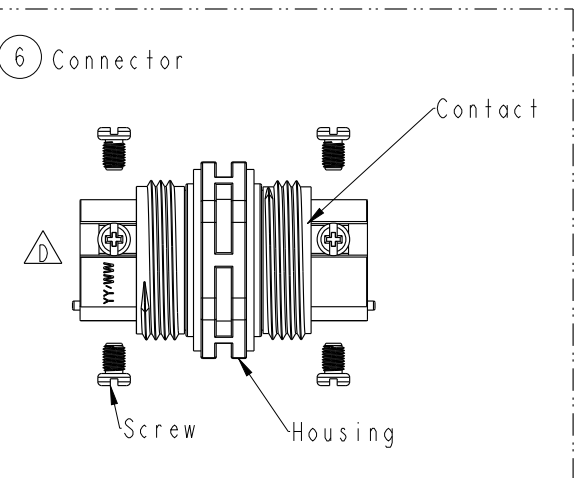


REV.	ECN NO.	DATE	SIGN	DESCRIPTION
B	LEN17A0069-80	2017-10-12	Lingpeng	Add The Label And Change The Title
C	NI80019	2019-03-02	Peng	Add 5Pin
D	C230889	2023/06/15	He long	△*1



ALTW
CONFIDENTIAL
 2019-03-02
 R&D DEPT.



UNIT:mm		
TOLERANCE	±0.5mm	

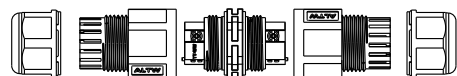
TITLE UL11 Cable Joiner Screw-in Type			
SCALE	SIZE	SHEET	OF
1:1	A4	1	2
REV.	WC-REV.	QC: Inspection item	
D	.0		

Amphenol LTW
 安費諾亮泰企業股份有限公司

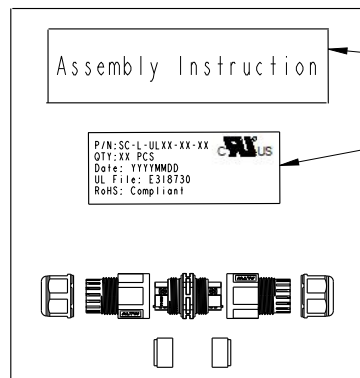
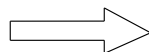
ITEM NO	DRAWN BY	DATE
	Peng	2019-03-02
DWG NO	CHECKED BY	DATE
SC-L-UL11-XX-XX	MaFei	2019-03-02
CUSTOMER	APPROVED BY	DATE
ALTW	Jerry	2019-03-02

THIS DOCUMENT IS SUBJECT TO CHANGE WITHOUT NOTICE. IT IS CONFIDENTIAL AND A PROPERTY OF AMPHENOL LTW. DISCLOSURE TO THIRD PARTY HAS TO BE AUTHORIZED BY AMPHENOL LTW.

THIS DOCUMENT IS SUBJECT TO CHANGE WITHOUT NOTICE. IT IS CONFIDENTIAL AND A PROPERTY OF Amphenol LTW. DISCLOSURE TO THIRD PARTY HAS TO BE AUTHORIZED BY Amphenol LTW.



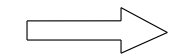
QTY: 1PCS



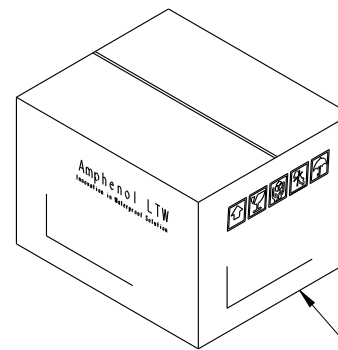
8 Instruction

10 Label

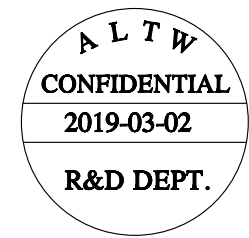
QTY: 120PCS



7 PE Bag



9 Carton



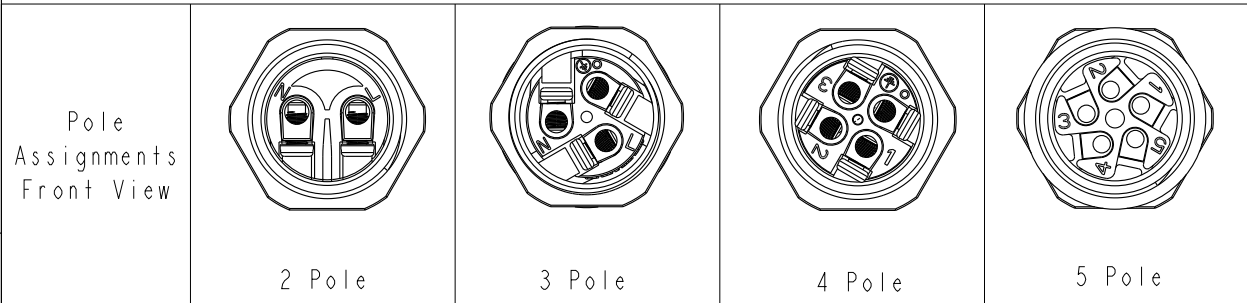
Both A Unassembled product And An Instruction Are In A PE Bag.
(將一套未組裝的產品和說明書, 放置於一個PE袋, 並封口)

SC-L-UL11-XX-XX
L: Cable Joiner
Type: UL11

Seal's Color: BL-Blue(藍色) For Cable Range: $\varnothing 4.5\sim\varnothing 6.5\text{mm}$
 YW-Yellow(黃色) For Cable Range: $\varnothing 6.5\sim\varnothing 8.5\text{mm}$
 GN-Green(綠色) For Cable Range: $\varnothing 8.5\sim\varnothing 10.5\text{mm}$
 RD-Red(紅色) For Cable Range: $\varnothing 10.5\sim\varnothing 12.5\text{mm}$
 AA-All Seals For Cable Range: $\varnothing 4.5\sim\varnothing 12.5\text{mm}$

No. of Conductor: 02-2Poles
 03-3Poles
 04-4Poles
 05-5Poles

- Note: $\triangle C$
- * \odot Important Dimension To Check.
 - * Waterproof Rate: IP68 (50M, 24H)
 - * Housing: PA66+GF, Black.
 - * Gland Nut: PA66, Black.
 - * Gland Pipe: PA66, Black.
 - * Contact: Brass, Nickel Plated
 - * Gasket & L-Gasket : Silicone, Yellow.
 - * Seal: Silicone, Blue & Yellow & Green & Red.
 - * Rated Voltage: 2~5 Pole 600V AC
 - * Rated Current: 2~4 Pole Max. 20A
 5 Pole Max. 10A
 - * Operating Temperature: $-40^{\circ}\sim+105^{\circ}$.
 - * Gland Pipe Recommended Tightening Torque:
 8~10 Kgf.cm(0.78~0.98 N.m)
 - * Gland Nut Recommended Tightening Torque:
 8~10 Kgf.cm(0.78~0.98 N.m)
 - * Seal For Cable OD: $\varnothing 4.5\sim\varnothing 6.5\text{mm}$, Blue.
 $\varnothing 6.5\sim\varnothing 8.5\text{mm}$, Yellow.
 $\varnothing 8.5\sim\varnothing 10.5\text{mm}$, Green.
 $\varnothing 10.5\sim\varnothing 12.5\text{mm}$, Red.
 - * Screws for Wire connection recommended tightening torque: 2.00~4.50kgf.cm / 0.196~0.44 N.m
 - * Applicable Wire gauge: 2~4 Pole: 18AWG ~ 12AWG
 5 Pole: 20AWG ~ 16AWG
 - * UL2238 Certification



UNIT:mm TOLERANCE $\pm 0.5\text{mm}$	TITLE $\triangle B$ UL11 Cable Joiner Screw-in Type	
	SCALE 1:1	SIZE A4
	REV. D	SHEET 2 OF 2

Amphenol LTW
安費諾亮泰企業股份有限公司

ITEM NO	DRAWN BY Peng	DATE 2019-03-02
DWG NO SC-L-UL11-XX-XX	CHECKED BY MaFei	DATE 2019-03-02
CUSTOMER ALTW	APPROVED BY Jerry	DATE 2019-03-02