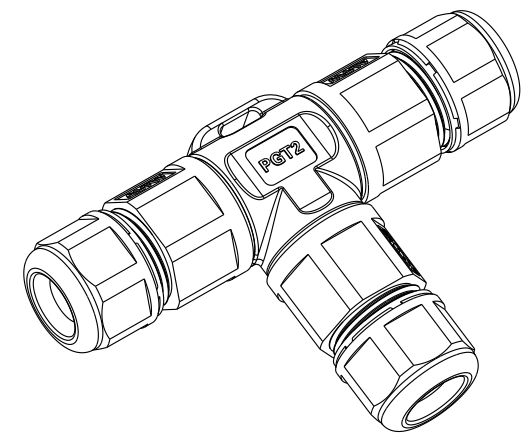
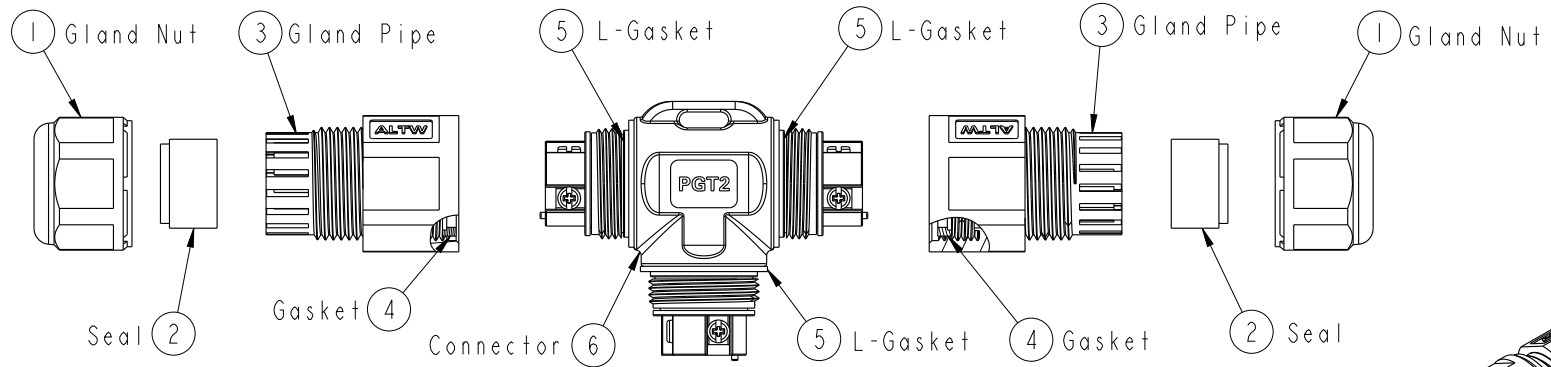
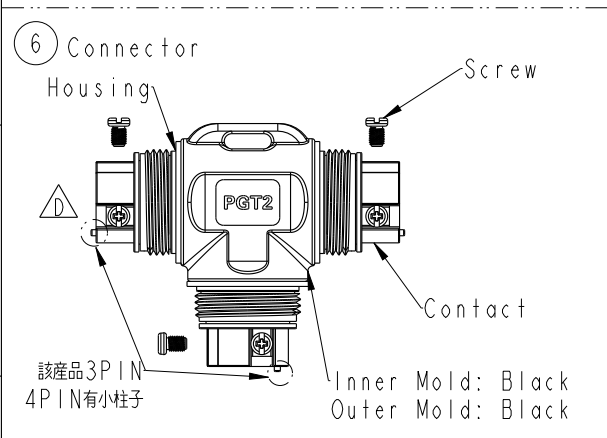
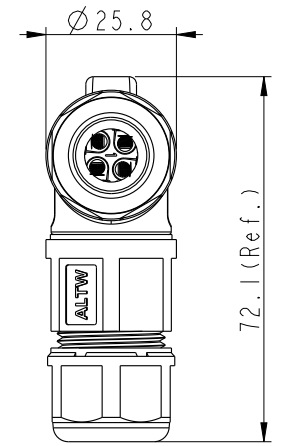
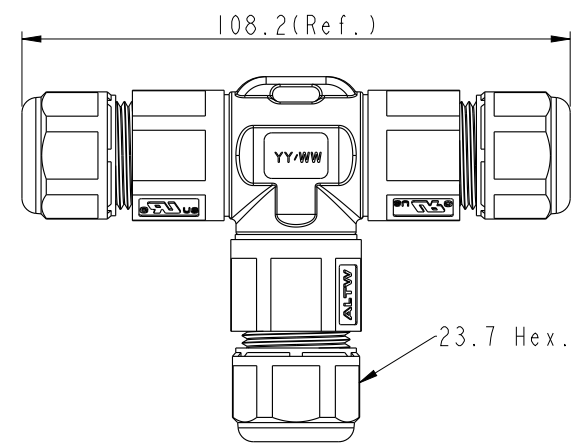
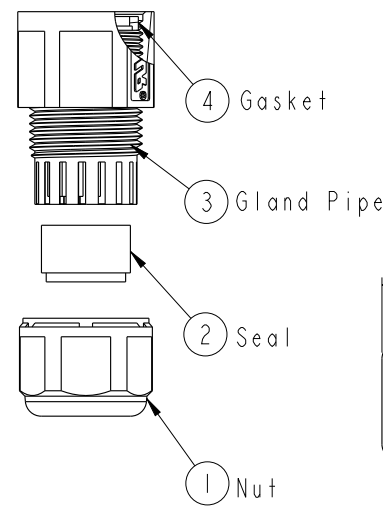


THIS DOCUMENT IS SUBJECT TO CHANGE WITHOUT NOTICE. IT IS CONFIDENTIAL AND A PROPERTY OF Amphenol LTW. DISCLOSURE TO THIRD PARTY HAS TO BE AUTHORIZED BY Amphenol LTW.

REV.	ECN NO.	DATE	SIGN	DESCRIPTION
B	LEN17A0113~124	2017-10-14	Lingpeng	Add The Label And Change The Title
C	NI80019	2019-03-02	Peng	Add 5Pole
D	C230888	2023-07-03	He Long	$\triangle D$ *3



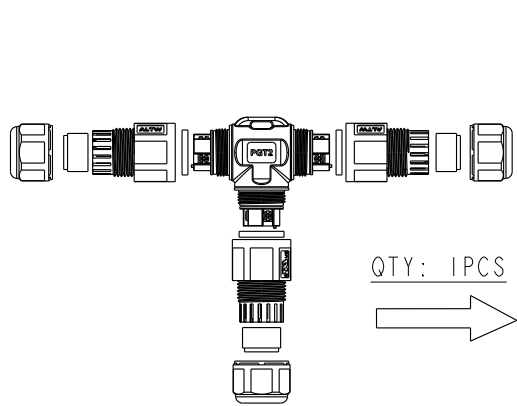
ALTW
CONFIDENTIAL
 2019-03-02
R&D DEPT.



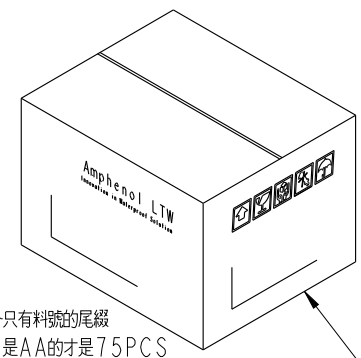
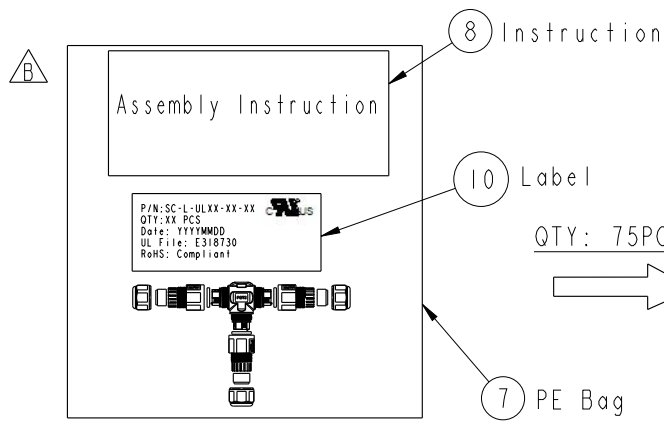
UNIT:mm	\varnothing	TITLE	$\triangle B$ ULT2 Cable Joiner Screw-in Type	
TOLERANCE	$\pm 0.5mm$	SCALE	67:100	SIZE A4
		REV.	D	WC-REV. .0
		SHEET	1	OF 2
		QC: Inspection item		

Amphenol LTW
安費諾亮泰企業股份有限公司

ITEM NO	DRAWN BY	DATE
	Peng	2019-03-02
DWG NO	CHECKED BY	DATE
SC-L-ULT2-XX-XX	Mafei	2019-03-02
CUSTOMER	APPROVED BY	DATE
ALTW	Jerry	2019-03-02



QTY: 1PCS
→



QTY: 75PCS
→

⚠️ 只有料號的尾綴是AA的才是75PCS 其他料號為90PCS

Both A Unassembled product And An Instruction Are In A PE Bag.
(將一套未組裝的產品和說明書, 放置於一個PE袋, 並封口)

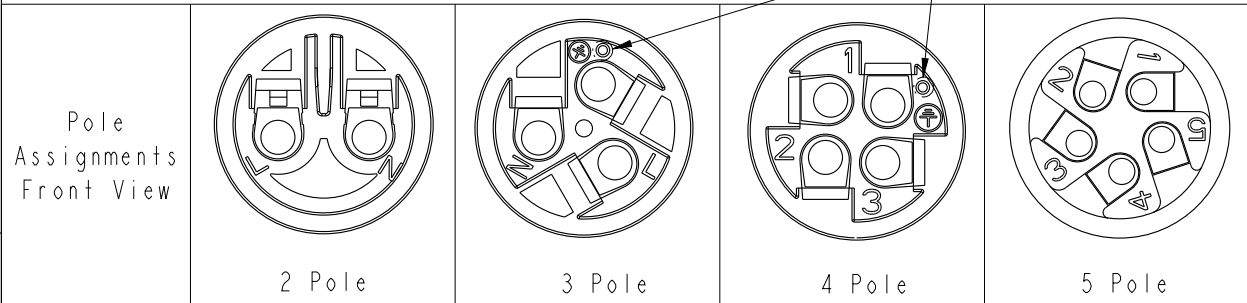
Note: ⚠️

- * Ⓞ Important Dimension To Check.
- * Waterproof Rate: IP68 (50M,24H)
- * Housing: PA66+GF, Black.
- * Gland Nut: PA66, Black.
- * Gland Pipe: PA66, Black.
- * Contact: Brass, Nickel Plated
- * Gasket & L- Gasket : Silicone, Yellow.
- * Seal: Silicone, Blue & Yellow & Green & Red.
- * Rated Voltage: 2~5 Pole 600V AC
- * Rated Current: 2 & 3 Pole Max. 20A ,
4 Pole Max. 15A.
5 Pole Max. 10A.
- * Operating Temperature: -40°~+105°.
- * Gland Pipe Recommended Tightening Torque:
8~10 Kgf.cm(0.78~0.98 N.m)
- * Gland Nut Recommended Tightening Torque:
8~10 Kgf.cm(0.78~0.98 N.m)
- * Seal For Cable OD: \varnothing 4.5~ \varnothing 6.5mm, Blue.
 \varnothing 6.5~ \varnothing 8.5mm, Yellow.
 \varnothing 8.5~ \varnothing 10.5mm, Green .
 \varnothing 10.5~ \varnothing 12.5mm, Red.
- * Screws for Wire connection recommended tightening torque: 2.00~4.50kgf.cm / 0.196~0.44 N.m
- * Applicable Wire gauge: 2~4 Pole:18AWG ~ 12AWG
5 Pole:20AWG ~ 16AWG
- * UL2238 Certification

SC-L-ULT2-XX-XX
L:Cable Joiner
Type: ULT2

- Seal's Color: BL-Blue(藍色) For Cable Range: \varnothing 4.5~ \varnothing 6.5mm
 YW-Yellow(黃色) For Cable Range: \varnothing 6.5~ \varnothing 8.5mm
 GN-Green(綠色) For Cable Range: \varnothing 8.5~ \varnothing 10.5mm
 RD-Red(紅色) For Cable Range: \varnothing 10.5~ \varnothing 12.5mm
 AA-All Seals For Cable Range: \varnothing 4.5~ \varnothing 12.5mm
- ⚠️ No. of Conductor: 02-2Poles
 03-3Poles
 04-4Poles
 05-5Poles

⚠️ 圖柱表示該產品有小柱子
沒有標註的PIN表示產品沒有小柱子



UNIT:mm		TITLE ULT2 Cable Joiner Screw-in Type	
TOLERANCE ± 0.5 mm	SCALE: 67:100	SIZE: A4	SHEET: 2 OF 2
REV. D	WC-REV. .0	Ⓞ: Inspection item	

Amphenol LTW
安費諾亮泰企業股份有限公司

ITEM NO	DRAWN BY Peng	DATE 2019-03-02
DWG NO SC-L-ULT2-XX-XX	CHECKED BY Mafei	DATE 2019-03-02
CUSTOMER ALTW	APPROVED BY Jerry	DATE 2019-03-02