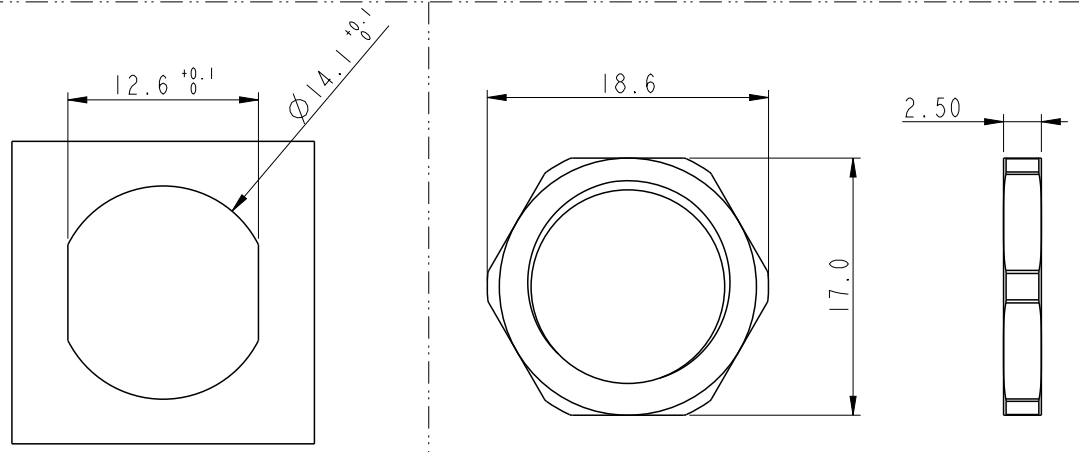
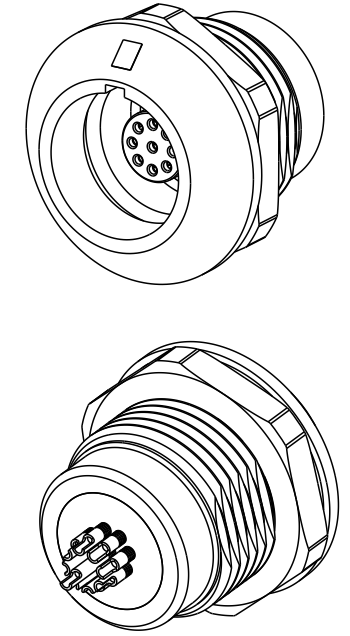
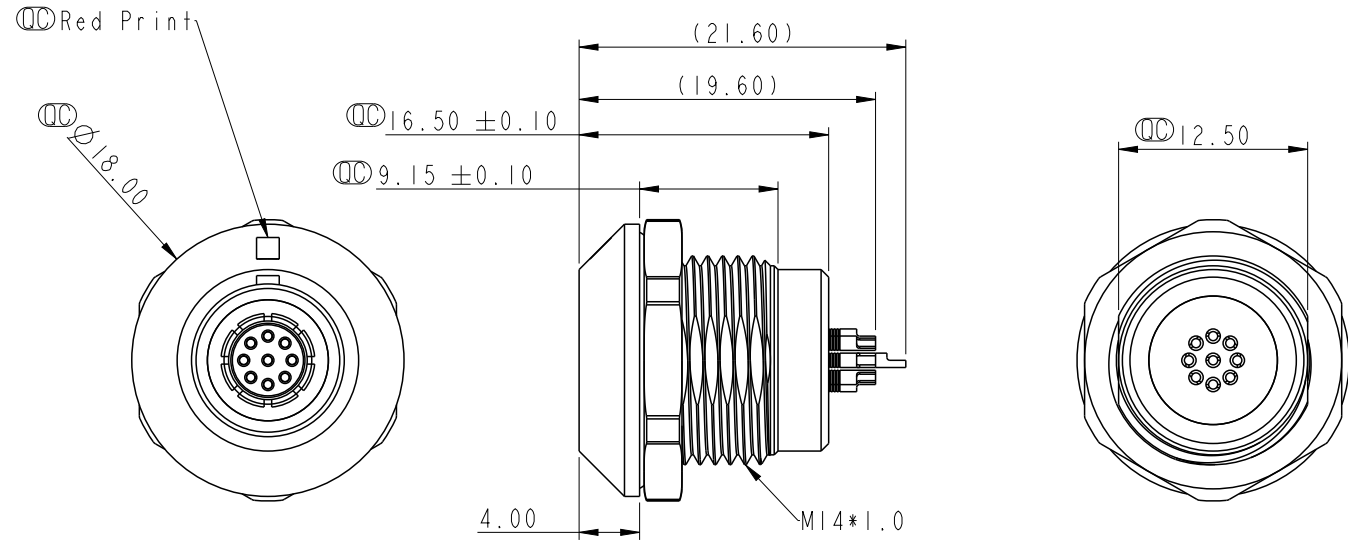


THIS DOCUMENT IS SUBJECT TO CHANGE WITHOUT NOTICE. IT IS CONFIDENTIAL AND A PROPERTY OF Amphenol LTW. DISCLOSURE TO THIRD PARTY HAS TO BE AUTHORIZED BY Amphenol LTW.

REV.	ECN NO.	DATE	SIGN	DESCRIPTION
A		2023/09/14	Eagle	Rev.03 to Rev.A



Recommended Panel Cut-Out

Nut

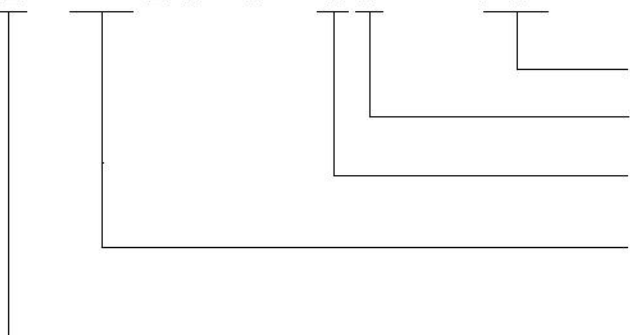
- Notes:
- \*  $\varnothing$  Important Dimensions To Check
  - \* Waterproof Rate: IP68, Unmated 1m/24h
  - \* Pin: Copper Alloy, Gold Plated
  - \* Housing: Thermoplastic, Black
  - \* Shell: Metal, Black
  - \* Nut: Metal
  - \* O-Ring: Rubber, Gray
  - \* Use Panel Thickness Max: 6.0mm

A	UNIT: mm		TITLE FLO, LK-PLUS, SIZE 0, PANEL F H/NUT, F, SOLDER, IKEY 0		ITEM NO.		DRAWN BY Eagle	DATE 2023/09/14
	TOLERANCE .X ±0.25 .XX ±0.1 .XXX ±0.05 ANGLES ±1°		SCALE 2:1	SIZE A4	SHEET 1 OF 2	DWG NO. SLKB-XXEGFS-GSP-001	CHECKED BY Aric	DATE 2023/09/14
	REV. A	WC-REV. .0	$\varnothing$ : Inspection item		CUSTOMER ALTW		APPROVED BY Fred	DATE 2023/09/14

**Amphenol LTW**  
安費諾亮泰企業股份有限公司

THIS DOCUMENT IS SUBJECT TO CHANGE WITHOUT NOTICE. IT IS CONFIDENTIAL AND A PROPERTY OF Amphenol LTW. DISCLOSURE TO THIRD PARTY HAS TO BE AUTHORIZED BY Amphenol LTW.

SLKB-XXEGFS-GSP-001



SERIAL NO.

Black color

KEY POINT ①

PIN CONFIGURATION ②

SIZE(CONNECTOR)

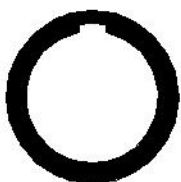
KEY POINT

CODE ①

G

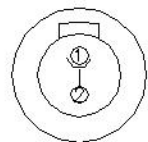
GRAPHIC

0°

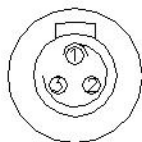


PIN CONFIGURATION (Solder Definition) ②

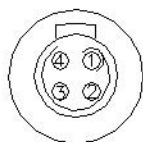
GRAPHIC



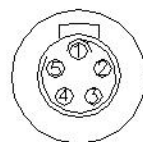
2 PIN



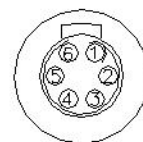
3 PIN



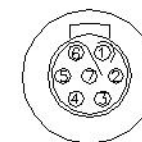
4 PIN



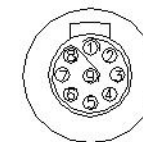
5 PIN



6 PIN

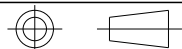


7 PIN



9 PIN

UNIT: mm



TOLERANCE  
.X ±0.25  
.XX ±0.1  
.XXX ±0.05  
ANGLES ±1°

TITLE FLO, LK-PLUS, SIZE 0,  
PANEL F H/NUT, F, SOLDER, IKEY 0

SCALE 2:1 SIZE A4 SHEET 2 OF 2  
REV. 03 WC-REV. .0 (CC): Inspection item

**Amphenol LTW**

安費諾亮泰企業股份有限公司

ITEM NO.  
DWG NO. SLKB-XXEGFS-GSP-001  
CUSTOMER ALTW

DRAWN BY Eagle  
CHECKED BY Aric  
APPROVED BY Max

DATE 2020/07/30  
DATE 2020/07/30  
DATE 2020/07/30