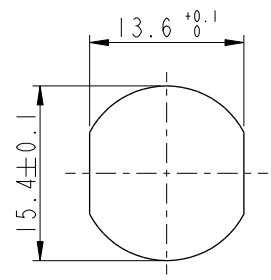


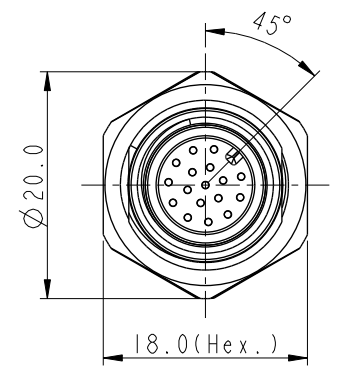
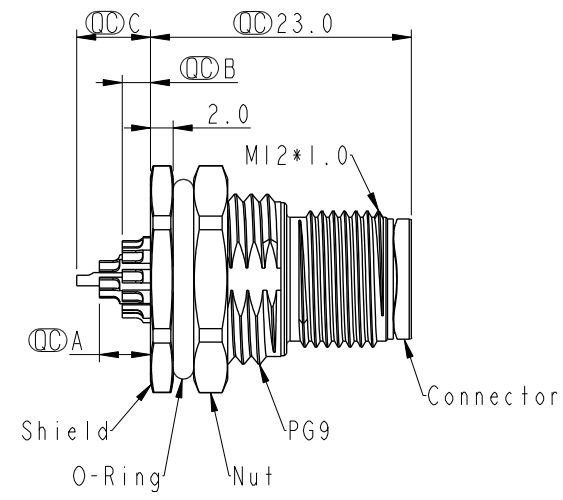
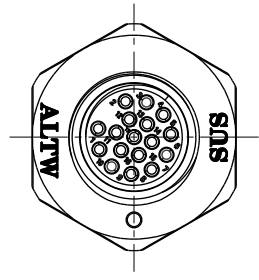
THIS DOCUMENT IS SUBJECT TO CHANGE WITHOUT NOTICE. IT IS CONFIDENTIAL AND A PROPERTY OF AMPHENOL LTW. DISCLOSURE TO THIRD PARTY HAS TO BE AUTHORIZED BY AMPHENOL LTW.

| REV. | ECN NO. | DATE | SIGN | DESCRIPTION |
|------|---------|------------|-----------|------------------|
| A | | 2021/08/13 | Allen Pan | Rev.01 To Rev.A |
| B | C221890 | 2022/12/29 | Vicky | $\triangle B$ XI |
| C | C231037 | 2023/08/09 | Vicky | $\triangle C$ XI |



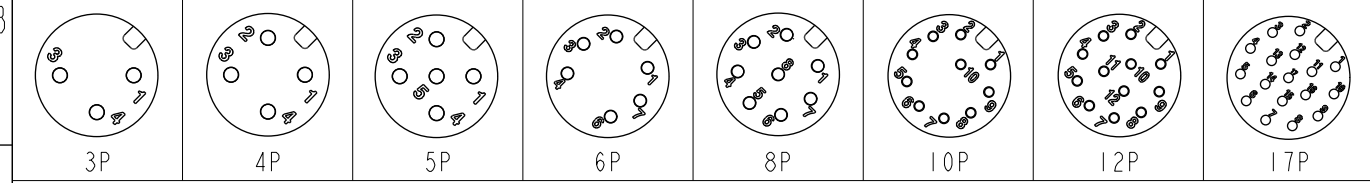
Recommended Panel Cut-Out

SM12A-XXPMMS-SF8001
XX: No. Of Pin



| | | | |
|---------------------|---------|-----|-----|
| SM12A-03PMMS-SF8001 | | 2.5 | |
| SM12A-04PMMS-SF8001 | | 2.5 | |
| SM12A-05PMMS-SF8001 | | 2.5 | |
| SM12A-06PMMS-SF8001 | | 2.5 | |
| SM12A-08PMMS-SF8001 | | 2.5 | |
| SM12A-10PMMS-SF8001 | 4.5 | 2.5 | |
| SM12A-12PMMS-SF8001 | 4.5 | 2.5 | |
| SM12A-17PMMS-SF8001 | 4.5 | 2.5 | 6.5 |
| Item No. | A | B | C |
| | Pin伸出長度 | | |

Note:
 * RoHS Compliant
 * CC Important dimension
 $\triangle B$ * Waterproof rate: IP68, unmated 1m/24h
 $\triangle C$ * IP69K, mated
 * Connector
 Housing: Thermoplastic, Black
 Pin: Copper alloy, Gold plated
 * Shield: Metal
 * Nut: Metal
 * O-Ring: Rubber, Black
 * For panel thickness max: 4.5mm
 * Nut is packed separately in pe bag



Pin Assignment Front View

| | | | |
|---|----------------|-------------------------------|---|
| UNIT: mm | | | TITLE N SEN, M12 A-STAINLESS, SCREW RECEPTACLE, M, M, SOLDER |
| TOLERANCE .X ±0.25 .XX ±0.1 .XXX ±0.05 ANGLES ±1° | SCALE 3:2 | SIZE A4 | SHEET 1 OF 1 |
| REV. C | WC-REV. A.1 | CC : Inspection item | |

Amphenol LTW
安費諾亮泰企業股份有限公司

| | | |
|--------------------------------|-------------------------|--------------------|
| ITEM NO. | DRAWN BY Allen Pan | DATE 2021-08-13 |
| DWG NO. SM12A-XXPMMS-SF8001 | CHECKED BY Sam Ho | DATE 2021-08-13 |
| CUSTOMER ALTW | APPROVED BY Fred Lee | DATE 2021-08-13 |