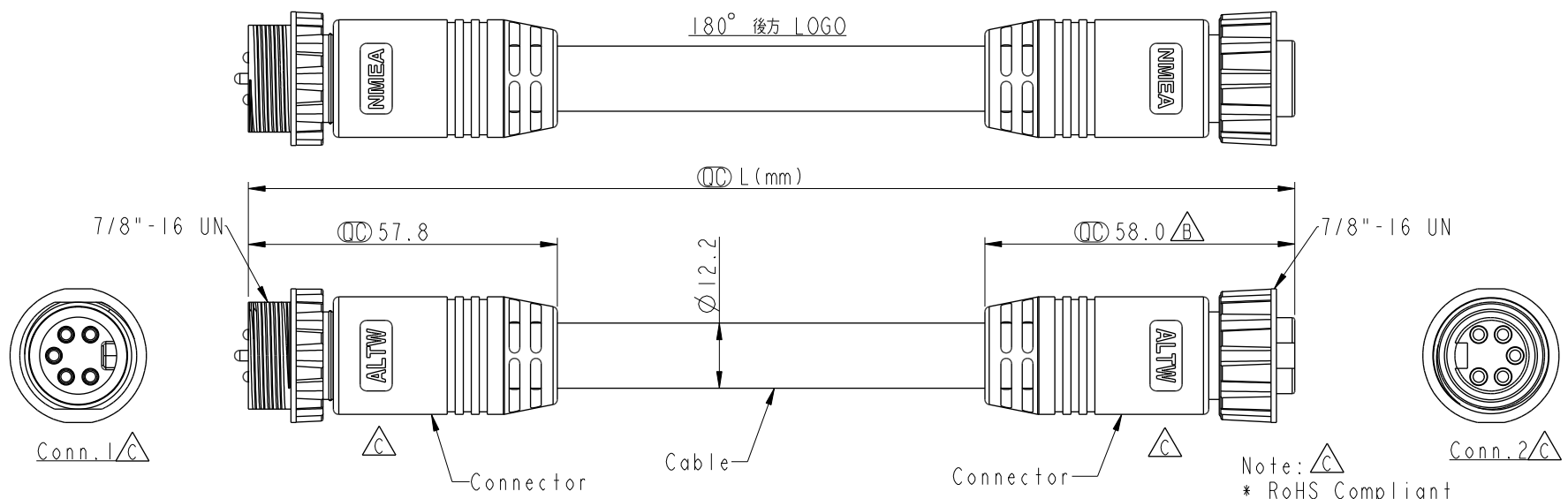


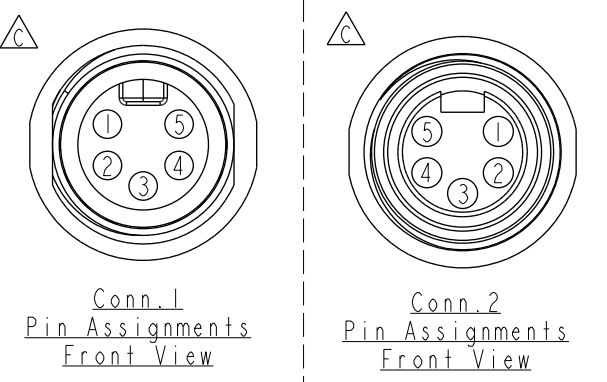
THIS DOCUMENT IS SUBJECT TO CHANGE WITHOUT NOTICE. IT IS CONFIDENTIAL AND A PROPERTY OF AMPHENOL LTW. DISCLOSURE TO THIRD PARTY HAS TO BE AUTHORIZED BY AMPHENOL LTW.

REV.	ECN NO.	DATE	SIGN	DESCRIPTION
A	Initial Release	2009/04/15	Doreen	Change REV.02 To REV.A
B	LEN1470261~4	2014/07/21	Tony_leng	Change "58.5" To "58.0".
C	C231382	2023/11/01	Ruru	△ X8



UMN-000505-OMF-CSCXX  
 XX:01~99 Meters  
 01:01 Meter  
 02:02 Meters  
 :  
 :  
 :  
 99:99 Meters  
 Cable Length(L):01~99 Meters

- Note: △
- \* RoHS Compliant
  - \* Ⓞ Important dimension
  - \* C1  
 Waterproof rate: IP68, mated 1m/24h  
 Housing: Thermoplastic, Black  
 Pin: Copper alloy, Gold plated  
 Nut: Metal  
 Outer Mold: Thermoplastic, Black
  - \* C2  
 Waterproof rate: IP68, mated 1m/24h  
 Housing: Thermoplastic, Black  
 Pin: Copper alloy, Gold plated  
 Nut: Metal  
 O-Ring: Rubber, Gray  
 Outer Mold: Thermoplastic, Black
  - \* Cable: NON CERT, PVC Jacket, Gray
  - \* Cable Length Tolerance: 01M:±40mm  
 02M~05M:±60mm  
 06M~10M:±100mm  
 11M~30M:±200mm  
 31M~99M:±500mm



5	Blue	藍	5
4	White	白	4
3	Black	黑	3
2	Red	紅	2
1	Drain	地線	1
Conn.2	Wire Color	Conn.1	
Pin Out			

UNIT:mm		TITLE	ACC, NMEA, APVD, DB-ENDED MF, 55
TOLERANCE		SCALE	4:5
±0.5 mm		SIZE	A4
REV.	C	SHEET	1 OF 1
WC-REV.	A.1	QC	Inspection item

**Amphenol LTW**  
 安費諾亮泰企業股份有限公司

ITEM NO	UMN-000505-OMF-CSCXX	DRAWN BY	Ruru	DATE	2023-11-01
DWG NO	UMN-000505-OMF-CSCXX	CHECKED BY	Rita	DATE	2023-11-01
CUSTOMER	ALTW	APPROVED BY	Fred	DATE	2023-11-01