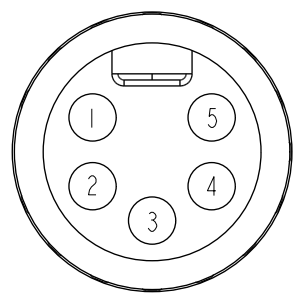
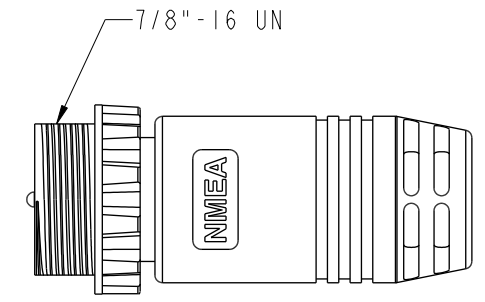
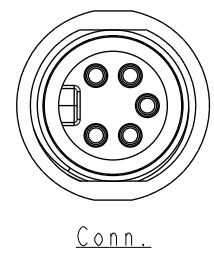
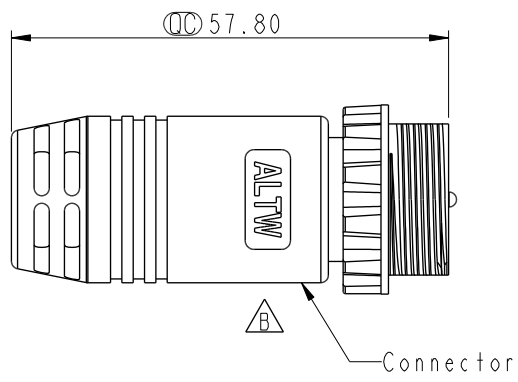


THIS DOCUMENT IS SUBJECT TO CHANGE WITHOUT NOTICE. IT IS CONFIDENTIAL AND A PROPERTY OF AMPHENOL LTW. DISCLOSURE TO THIRD PARTY HAS TO BE AUTHORIZED BY AMPHENOL LTW.

REV.	ECN NO.	DATE	SIGN	DESCRIPTION
A	Initial Release	2009/04/07	Doreen	Change REV.02 to REV.A
B	C231382	2023/11/01	Ruru	$\triangle B$ X3



Pin Assignments
Front View

Conn.	Function
5	Resistor
4	Resistor
3	NC
2	NC
1	NC

- $\triangle B$ Note:
- * RoHS Compliant
 - * \varnothing Important dimension
 - * Waterproof rate: IP68, mated 1m/24h
 - * Connector
 - Housing: Thermoplastic, Black
 - Pin: Copper alloy, Gold plated
 - Nut: Metal
 - Outer mold: Thermoplastic, Black
 - * Resistor: 1/4W, $120\Omega \pm 1\%$

UNIT:mm

TOLERANCE $\pm 0.5mm$

TITLE NMEA, MN 8A(APP), 05P CABLE W/SR, M, M, TERMINATOR $\triangle B$

SCALE 1:1 SIZE A4 SHEET 1 OF 1

REV. B WC-REV. A.2 \varnothing Inspection item

Amphenol LTW
安費諾亮泰企業股份有限公司

ITEM NO	DRAWN BY	DATE
UMN-05AMMT-SL8001	Ruru	2023-11-01
DWG NO	CHECKED BY	DATE
UMN-05AMMT-SL8001	Rita	2023-11-01
CUSTOMER	APPROVED BY	DATE
ALTW	Fred	2023-11-01