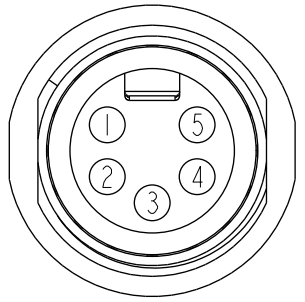
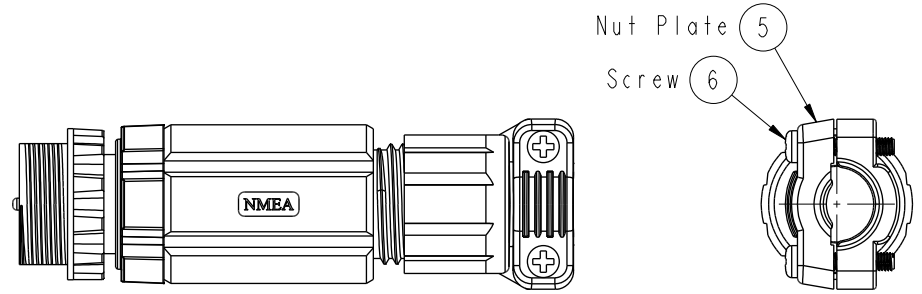
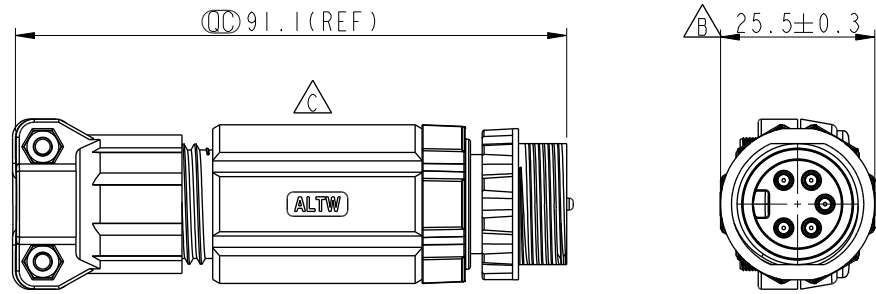
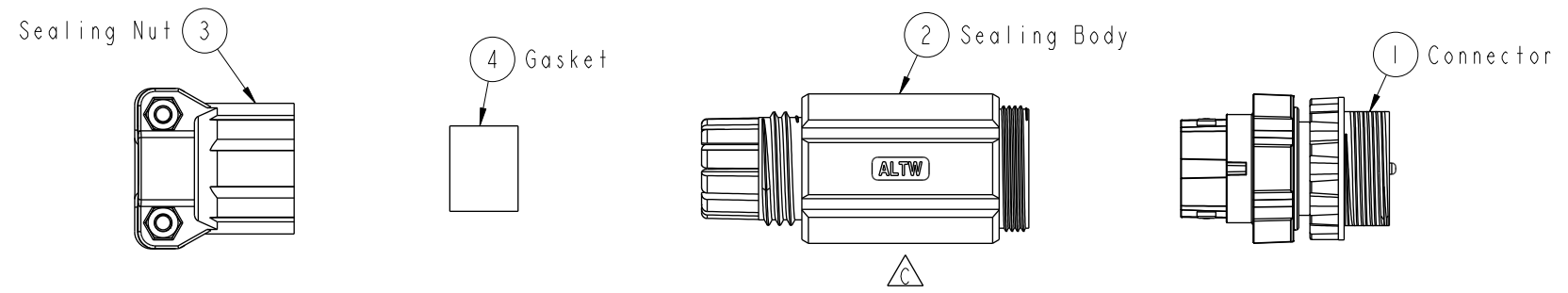


THIS DOCUMENT IS SUBJECT TO CHANGE WITHOUT NOTICE. IT IS CONFIDENTIAL AND A PROPERTY OF AMPHENOL LTW. DISCLOSURE TO THIRD PARTY HAS TO BE AUTHORIZED BY AMPHENOL LTW.

REV.	ECN NO.	DATE	SIGN	DESCRIPTION
B	LEN1160059	2011/03/04	Doreen	Change Dimension View.
C	C221447	2022/09/15	Ruru	$\triangle C$ X4
D	C231296	2023/10/13	Vicky	$\triangle D$ X1



Conn.  
Pin Assignments  
Front View

Conn.	Name	Pair	Wire Color For User
5	NET-L	Signal	Blue 藍 (18AWG)
4	NET-H	Signal	White 白 (18AWG)
3	NET-C	Power	Black 黑 (15AWG)
2	NET-S	Power	Red 紅 (15AWG)
1	Shield	Drain	Bare (18AWG)

Pin Out

- $\triangle C$  Note:
- \*  $\text{QC}$  Important Dimension.
  - \* Waterproof Rate : IP67
  - \* Connector: Thermoplastic, Black
  - \* Pin: Copper Alloy, Gold Plated
  - \* O-Ring: Rubber, Gray.
  - \* Holder: Thermoplastic, Black.
  - \* Gasket: Rubber, Black.
  - \* Sealing Nut: Thermoplastic, Black.
  - \* Nut: Metal.
  - \* Seals For Cable OD  $\varnothing 8\text{mm} \sim \varnothing 12.2\text{mm}$
  - \* 使用溫度:  $-20^{\circ}\text{C} \sim 70^{\circ}\text{C}$
- $\triangle D$  \* One set assembled in one pe bag

UNIT:mm		TITLE NMEA, MN 8A( APP), 05P CABLE W/O SR, M, M, FI SCREW IN
TOLERANCE .X $\pm 0.25$ .XX $\pm 0.1$ .XXX $\pm 0.05$ ANGLES $\pm 1^{\circ}$	SCALE 1:2	SIZE A4
	REV. D	SHEET 1 OF 1
	WC-REV. A.2	$\text{QC}$ : Inspection item

**Amphenol LTW**  
安費諾亮泰企業股份有限公司

ITEM NO UMN-05BMMB-SL7001	DRAWN BY Dorren	DATE 2011/03/04
DWG NO UMN-05BMMB-SL7001	CHECKED BY Winnie	DATE 2011/03/04
CUSTOMER ALTW	APPROVED BY Kevin	DATE 2011/03/04