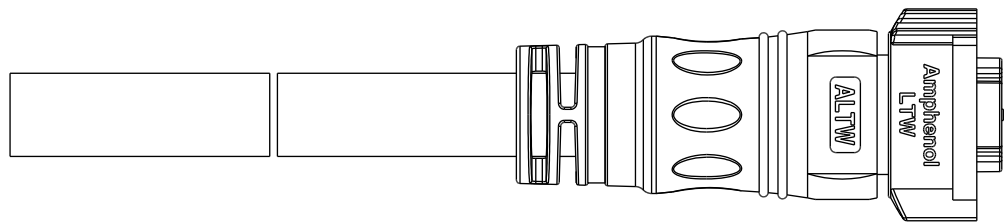
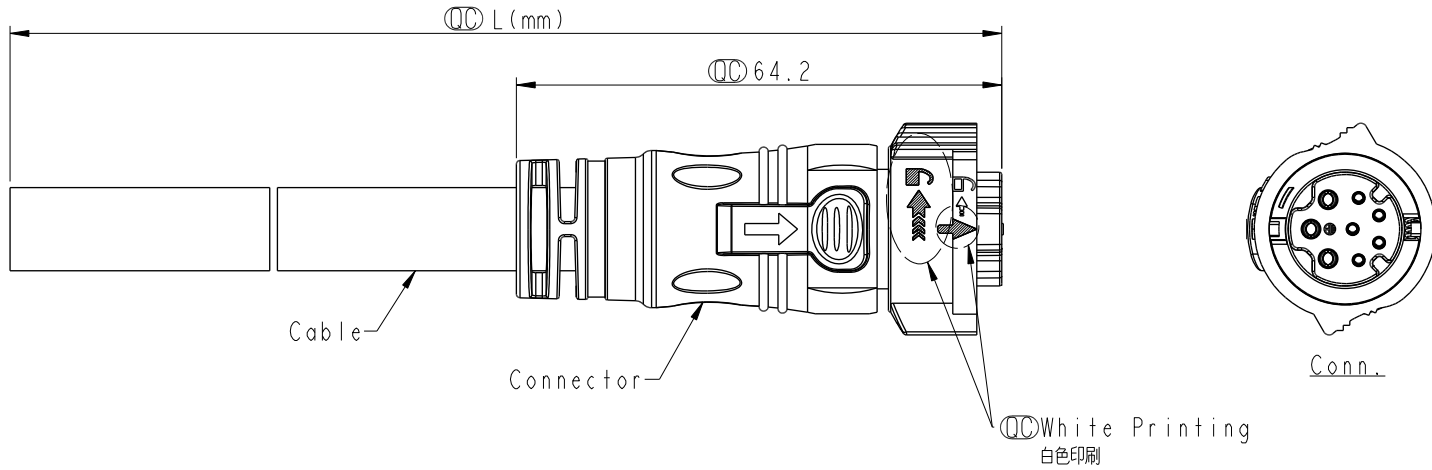


THIS DOCUMENT IS SUBJECT TO CHANGE WITHOUT NOTICE. IT IS CONFIDENTIAL AND A PROPERTY OF Amphenol LTW. DISCLOSURE TO THIRD PARTY HAS TO BE AUTHORIZED BY Amphenol LTW.

REV.	ECN NO.	DATE	SIGN	DESCRIPTION
B	C220629	2022/05/03	Vicky	$\triangle B$ X8
C	C230084	2023/01/30	Vicky	$\triangle C$ X1
D	C240003	2024/01/02	Vicky	$\triangle D$ X2



- $\triangle B$   
Note:
- \* RoHS Compliant
  - \*  $\text{\textcircled{C}}$  Important dimension
  - \*  $\triangle C$  Waterproof rate: IP68, mated 1m/24h
  - \* Connector
    - Housing: Thermoplastic, Black
    - Pin: Copper alloy, Gold plated
    - O-Ring: Rubber, Gray
    - Nut: Thermoplastic, Black
    - Outer mold: Thermoplastic, Black
  - \* Cable: UL21996, PVC Jacket, Black
  - \* Cable length tolerance: 1M: +50/-0 mm
    - 1M < L  $\leq$  3M: +100/-0 mm
    - 3M < L  $\leq$  5M: +150/-0 mm
    - 5M < L  $\leq$  10M:  $\pm$ 100 mm
    - 10M < L  $\leq$  20M:  $\pm$ 200 mm
    - 20M < L  $\leq$  30M:  $\pm$ 300 mm
    - 30M < L  $\leq$  99M:  $\pm$ 500 mm

UNIT: mm

TOLERANCE  $\pm 0.5\text{mm}$

TITLE XLOK, C-10A+5A, CABLE W/SR F, F, MOLDING, PUSH LOCK $\triangle B$		
SCALE 1:1	SIZE A4	SHEET 1 OF 2
REV. D	WC-REV. A.2	$\text{\textcircled{C}}$ : Inspection item

**Amphenol LTW**  
安費諾亮泰企業股份有限公司

ITEM NO.	DRAWN BY Vicky	DATE 2024-01-02
DWG. NO. $\triangle B$ CBD-XXAFFM-QL8FXX	CHECKED BY Rita	DATE 2024-01-02
CUSTOMER ALTW	APPROVED BY Fred	DATE 2024-01-02

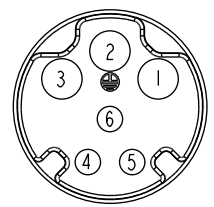
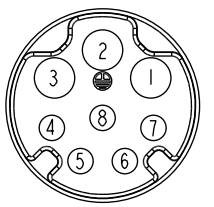
THIS DOCUMENT IS SUBJECT TO CHANGE WITHOUT NOTICE. IT IS CONFIDENTIAL AND A PROPERTY OF Amphenol LTW. DISCLOSURE TO THIRD PARTY HAS TO BE AUTHORIZED BY Amphenol LTW.

	8P	11.0	26/16	CBD-08AFFM-QL8FXX
	6P	10.3		CBD-06AFFM-QL8FXX
$\triangle B$	Contacts	Cable OD	AWG	Item No.


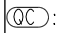
$\triangle B$   
CBD-XXAFFM-QL8FXX

XX: No. Of Pin

XX: 01~99Meters  
01: 01Meter  
02: 02Meters  
:  
99: 99Meters

C	Pin Out	6 Drain (26AWG) 地線	8 Drain (26AWG) 地線
		5 Blue (26AWG) 藍 ] Twist	7 Blue (26AWG) 藍 ] Twist
		4 Red (26AWG) 紅 ] Twist	6 Red (26AWG) 紅 ] Twist
		3 Black (16AWG) 黑 ] Twist	5 Green (26AWG) 綠 ] Twist
		2 Green (16AWG) 綠	4 White (26AWG) 白 ] Twist
		1 White (16AWG) 白	3 Black (16AWG) 黑
			2 Green (16AWG) 綠
			1 White (16AWG) 白
		Pin # Wire $\triangle D$	Pin # Wire $\triangle D$
B	Conn.		
		6P	8P

$\triangle B$  Pin Assignments Front View

A	UNIT:mm		TITLE	XLOK, C-10A+5A, CABLE W/SR $\triangle B$
	TOLERANCE	±0.5mm	SCALE	1:1
			SIZE	A4
			SHEET	2 OF 2
	REV.	D	WC-REV.	A.2
				Inspection item

**Amphenol LTW**  
安費諾亮泰企業股份有限公司

ITEM NO	DRAWN BY	DATE
	Vicky	2024-01-02
DWG NO	CHECKED BY	DATE
$\triangle B$ CBD-XXAFFM-QL8FXX	Rita	2024-01-02
CUSTOMER	APPROVED BY	DATE
ALTW	Fred	2024-01-02