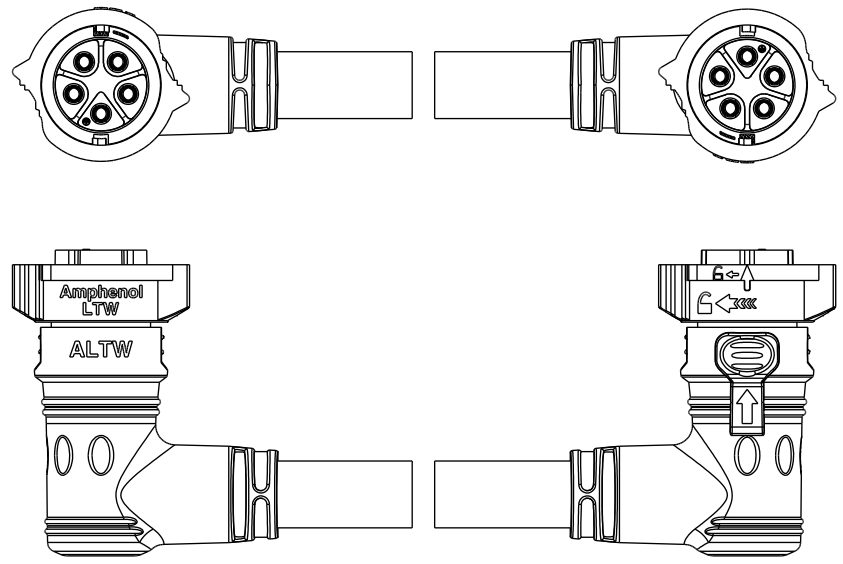
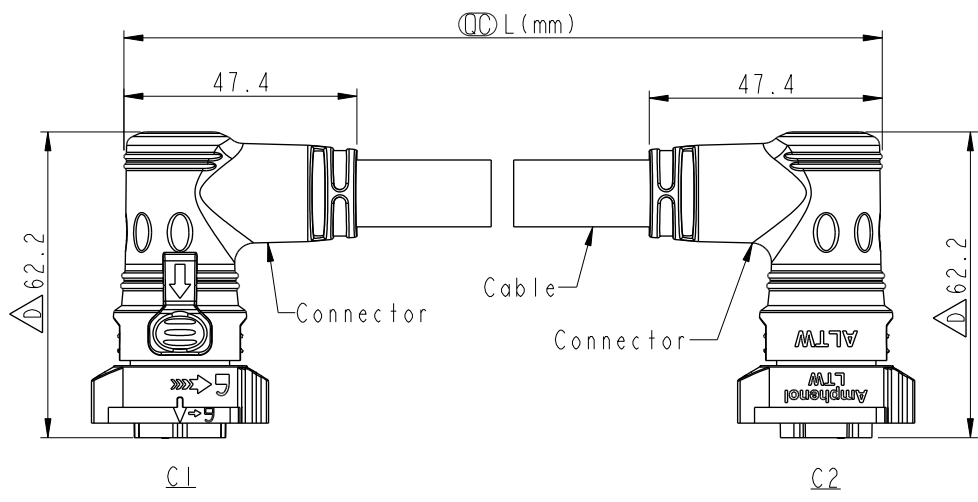


THIS DOCUMENT IS SUBJECT TO CHANGE WITHOUT NOTICE. IT IS CONFIDENTIAL AND A PROPERTY OF Amphenol LTW. DISCLOSURE TO THIRD PARTY HAS TO BE AUTHORIZED BY Amphenol LTW.

REV.	ECN NO.	DATE	SIGN	DESCRIPTION
B	C220431	2022/03/21	Ruru	$\triangle B$ X2
C	C230174	2023/02/10	Vicky	$\triangle C$ X1
D	C231269	2023/09/27	Ruru	$\triangle D$ X2



Note:  $\triangle B$

- \* RoHS Compliant
- \*  $\odot\odot$  Important dimension
- $\triangle C$  \* Waterproof rate: IP68, mated 1m/24h
- \* Connector
  - Housing: Thermoplastic, Black
  - Pin: Copper Alloy, Gold Plated
  - O-Ring: Rubber, Dark Gray
  - Nut: Thermoplastic, Black
  - Outer mold: Thermoplastic, Black
- \* Cable: SJTW, PVC Jacket, Black
- \* Cable length tolerance:
 

0.5M < L ≤ 1M:	+60/-0 mm
1M < L ≤ 3M:	+120/-0 mm
3M < L ≤ 5M:	+160/-0 mm
5M < L ≤ 10M:	±100 mm
10M < L ≤ 20M:	±200 mm
20M < L ≤ 30M:	±300 mm
30M < L ≤ 99M:	±500 mm

UNIT: mm		
TOLERANCE	±0.5 mm	

TITLE ACC, XLOK, D-20A, DB-ENDED FF		
SCALE 1:2	SIZE A4	SHEET 1 OF 2
REV. D	WC-REV.	$\odot\odot$ : Inspection item

**Amphenol LTW**  
安費諾亮泰企業股份有限公司

ITEM NO.	DRAWN BY Ruru	DATE 2020-01-13
DWG NO. AB-DCXXFR-DCFR-QEXXX	CHECKED BY Rita	DATE 2020-01-13
CUSTOMER ALTW	APPROVED BY Max	DATE 2020-01-13

THIS DOCUMENT IS SUBJECT TO CHANGE WITHOUT NOTICE. IT IS CONFIDENTIAL AND A PROPERTY OF Amphenol LTW. DISCLOSURE TO THIRD PARTY HAS TO BE AUTHORIZED BY Amphenol LTW.

5P		PVC	13.6	12	AB-DC05FR-DCFR-QEXXX
3P			11.7		AB-DC03FR-DCFR-QEXXX
2P			10.7		AB-DC02FR-DCFR-QEXXX
Contacts	Cable Jacket	Cable OD	AWG	Item No.	

AB- DC XX FR - DC FR - Q E XXX



XX: No. Of Pin

XXX: 0.5~99Meters  
 A05: 0.5 Meter  
 001: 01 Meter  
 002: 02 Meters  
 :  
 099: 99 Meters

Pin Out	Pin #	Wire	Pin #	Wire	Pin #	Wire
2 White 白 1 Black 黑	2	White 白 Black 黑	3 Green 綠 2 White 白 1 Black 黑	Green 綠 White 白 Black 黑	5 Brown 棕 4 Red 紅 3 Green 綠 2 White 白 1 Black 黑	Brown 棕 Red 紅 Green 綠 White 白 Black 黑
C1 & C2						
Pin Assignments Front View						

UNIT:mm

TOLERANCE  
± 0.5 mm

TITLE ACC, XLOK, D-20A, DB-ENDED  
FF

SCALE 1:2 SIZE A4 SHEET 2 OF 2

REV. D WC-REV. Inspection item

**Amphenol LTW**  
 安費諾亮泰企業股份有限公司

ITEM NO	DRAWN BY Ruru	DATE 2020-01-13
DWG NO AB-DCXXFR-DCFR-QEXXX	CHECKED BY Rita	DATE 2020-01-13
CUSTOMER ALTW	APPROVED BY Max	DATE 2020-01-13