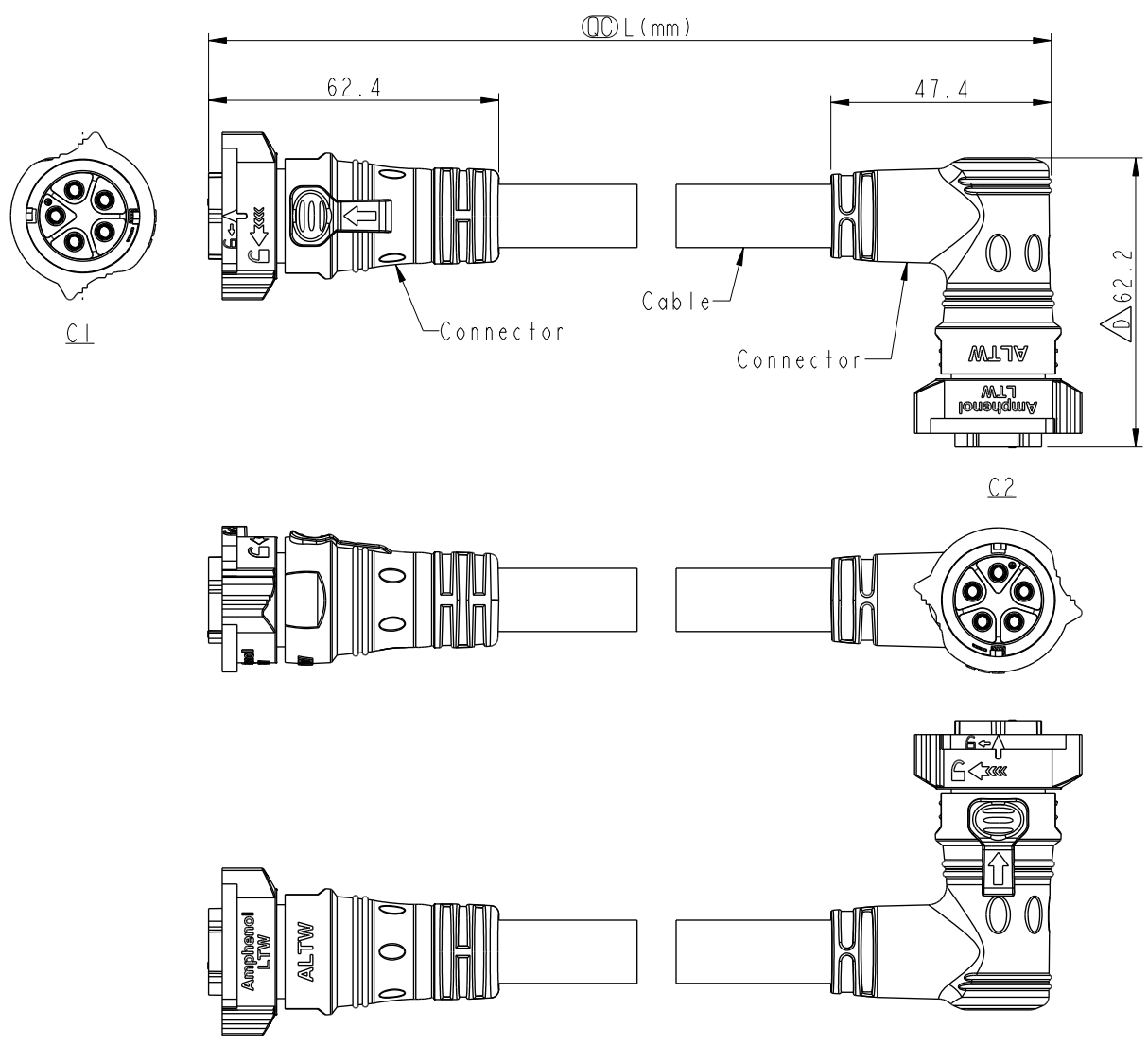


THIS DOCUMENT IS SUBJECT TO CHANGE WITHOUT NOTICE. IT IS CONFIDENTIAL AND A PROPERTY OF AMPHENOL LTW. DISCLOSURE TO THIRD PARTY HAS TO BE AUTHORIZED BY AMPHENOL LTW.

REV.	ECN NO.	DATE	SIGN	DESCRIPTION
B	C220431	2022/03/21	Ruru	\triangle_B X2
C	C230174	2023/02/10	Vicky	\triangle_C X2
D	C231269	2023/09/27	Ruru	\triangle_D X1



Note: \triangle_B

- * RoHS Compliant
- * CC Important dimension
- * C1
- \triangle_C Waterproof rate: IP68, mated 1m/24h
 Housing: Thermoplastic, Black
 Pin: Copper Alloy, Gold Plated
 O-Ring: Rubber, Dark Gray
 Nut: Thermoplastic, Black
 Outer mold: Thermoplastic, Black
- * C2
- \triangle_C Waterproof rate: IP68, mated 1m/24h
 Housing: Thermoplastic, Black
 Pin: Copper Alloy, Gold Plated
 O-Ring: Rubber, Dark Gray
 Nut: Thermoplastic, Black
 Outer mold: Thermoplastic, Black
- * Cable: SJTW, PVC Jacket, Black
- * Cable length tolerance: 0.5M < L ≤ 1M: +60/-0 mm
 1M < L ≤ 3M: +120/-0 mm
 3M < L ≤ 5M: +160/-0 mm
 5M < L ≤ 10M: ±100 mm
 10M < L ≤ 20M: ±200 mm
 20M < L ≤ 30M: ±300 mm
 30M < L ≤ 99M: ±500 mm

UNIT: mm		TITLE ACC, XLOK, D-20A, DB-ENDED FF
TOLERANCE ±0.5 mm	SCALE 1:2	SIZE A4
REV. D	WC-REV.	SHEET 1 OF 2
		CC : Inspection item

Amphenol LTW
 安費諾亮泰企業股份有限公司

ITEM NO.	DRAWN BY Ruru	DATE 2020-01-13
DWG NO. AB-DCXXFL-DCFR-QEXXX	CHECKED BY Rita	DATE 2020-01-13
CUSTOMER ALTW	APPROVED BY Max	DATE 2020-01-13

THIS DOCUMENT IS SUBJECT TO CHANGE WITHOUT NOTICE. IT IS CONFIDENTIAL AND A PROPERTY OF AMPHENOL LTW. DISCLOSURE TO THIRD PARTY HAS TO BE AUTHORIZED BY AMPHENOL LTW.

6		7		8	
5P	PVC	13.6	12	AB-DC05FL-DCFR-QEXXX	
3P		11.7		AB-DC03FL-DCFR-QEXXX	
2P		10.7		AB-DC02FL-DCFR-QEXXX	
Contacts	Cable Jacket	Cable OD	AWG	Item No.	

AB- DC XX F L - DC F R - Q E XXX



XX: No. Of Pin

XXX: 0.5~99Meters
 A05: 0.5 Meter
 001: 01 Meter
 002: 02 Meters
 :
 099: 99 Meters

Pin Out	2	3	5
	2 White 白 1 Black 黑	3 Green 綠 2 White 白 1 Black 黑	5 Brown 棕 4 Red 紅 3 Green 綠 2 White 白 1 Black 黑
	Pin # Wire	Pin # Wire	Pin # Wire
C2			
	2P	3P	5P
C1			
	2P	3P	5P
Pin Assignments Front View			

UNIT:mm	
TOLERANCE	± 0.5 mm

TITLE ACC, XLOK, D-20A, DB-ENDED FF			
SCALE 1:2	SIZE A4	SHEET 2 OF 2	
REV. D	WC-REV.	QC: Inspection item	

Amphenol LTW
 安費諾亮泰企業股份有限公司

ITEM NO	DRAWN BY Ruru	DATE 2020-01-13
DWG NO AB-DCXXFL-DCFR-QEXXX	CHECKED BY Rita	DATE 2020-01-13
CUSTOMER ALTW	APPROVED BY Max	DATE 2020-01-13