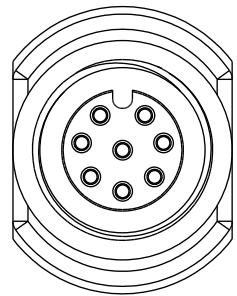
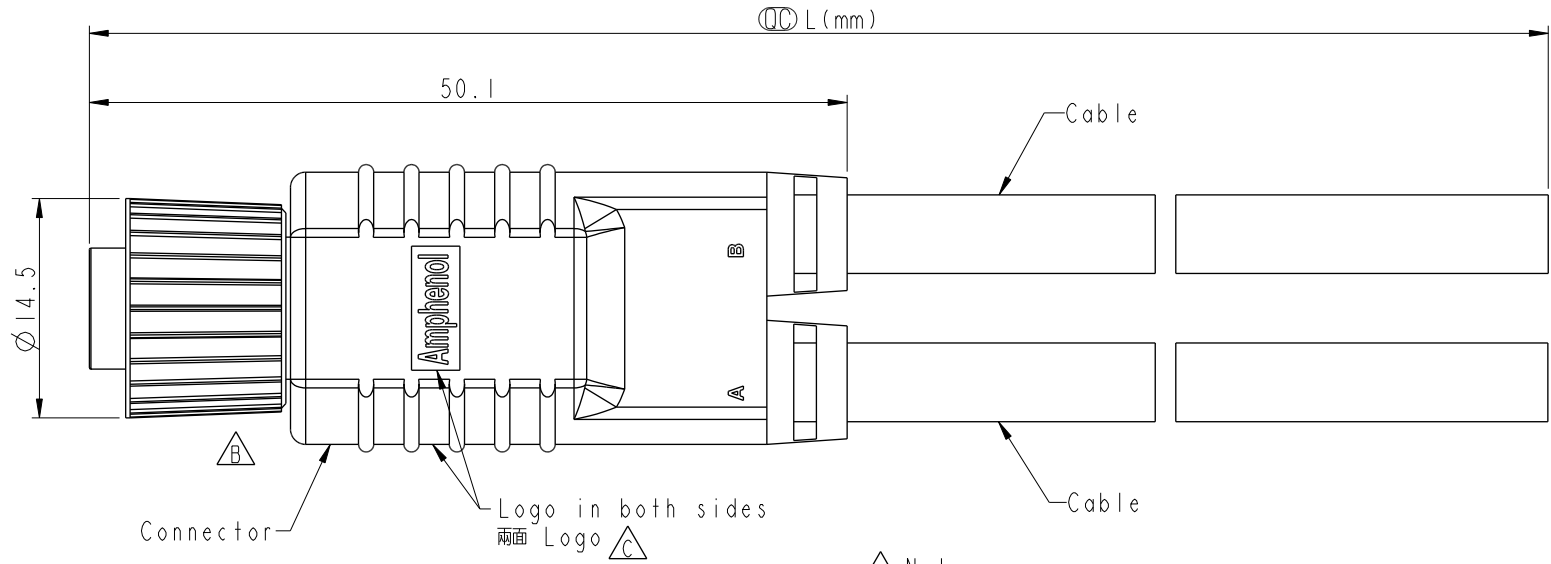


THIS DOCUMENT IS SUBJECT TO CHANGE WITHOUT NOTICE. IT IS CONFIDENTIAL AND A PROPERTY OF AMPHENOL LTW. DISCLOSURE TO THIRD PARTY HAS TO BE AUTHORIZED BY AMPHENOL LTW.

REV.	ECN NO.	DATE	SIGN	DESCRIPTION
C	LEN13B0223~26	2013/09/14	Cary	Change Logo From LTW To Amphenol
D	C211215	2021/08/09	Jiahe Lin	$\triangle D$ X2
E	C230520	2023/04/24	Vicky	$\triangle E$ X7



Conn.



- $\triangle D$ Note:
- * RoHS Compliant
 - * CC Important dimension
 - $\triangle E$ * Waterproof rate: IP68, unmated 1m/24h
 - * Connector
 - Housing: Thermoplastic, Black
 - Pin: Copper alloy, Gold plated
 - O-Ring: Rubber, Green
 - Nut: Metal
 - $\triangle E$ * Cable: 3-5Pin, Nonul, PU Jacket, Black
8Pin, UL20549, PU Jacket, Black
 - * Cable length tolerance: 1M: +50/-0 mm
 - 1M < L ≤ 3M: +100/-0 mm
 - 3M < L ≤ 5M: +150/-0 mm
 - 5M < L ≤ 10M: ±100 mm
 - 10M < L ≤ 20M: ±200 mm
 - 20M < L ≤ 30M: ±300 mm
 - 30M < L ≤ 99M: ±500 mm

UNIT:mm		TITLE	ACC, SEN, A Code, Y ADA W/ CB
TOLERANCE	±0.5mm	SCALE	2:1
		SIZE	A4
		SHEET	1 OF 2
		REV.	E
		WC-REV.	A.2
		CC	Inspection item

Amphenol LTW
安費諾亮泰企業股份有限公司

ITEM NO	DRAWN BY	DATE
	Cary liu	2013-09-14
DWG NO	CHECKED BY	DATE
ESS-XX0000-F00-YSBXX	Mafei	2013-09-14
CUSTOMER	APPROVED BY	DATE
ALTW	Victor	2013-09-14

THIS DOCUMENT IS SUBJECT TO CHANGE WITHOUT NOTICE. IT IS CONFIDENTIAL AND A PROPERTY OF Amphenol LTW. DISCLOSURE TO THIRD PARTY HAS TO BE AUTHORIZED BY Amphenol LTW.

1 2 3 4 5 6 7 8

8P	4.8	24	SS-080000-F00-YSBXX
5P	5.0	22	SS-050000-F00-YSBXX
4P	4.8	22	SS-040000-F00-YSBXX
3P	4.5	22	SS-030000-F00-YSBXX
Contacts	Cable OD	AWG	Item No.

△E XX: No. Of Pin — SS-XX0000-F00-YSBXX

XX: 01~99Meters
 01: 01Meter
 02: 02Meters
 :
 99: 99Meters

Pin Out	4 Black 黑 3 Blue 藍 1 Brown 棕	4 Black 黑 3 Blue 藍 1 Brown 棕	4 Blue 藍 3 White 白 2 Black 黑 1 Brown 棕	4 Blue 藍 3 White 白 2 Black 黑 1 Brown 棕	5 Green 綠 4 Black 黑 3 Blue 藍 2 White 白 1 Brown 棕	5 Green 綠 4 Black 黑 3 Blue 藍 2 White 白 1 Brown 棕	8 Red 紅 7 Blue 藍 6 Pink 粉紅 5 Gray 灰 4 Yellow 黃 3 Green 綠 2 Brown 棕 1 White 白	8 Red 紅 7 Blue 藍 6 Pink 粉紅 5 Gray 灰 4 Yellow 黃 3 Green 綠 2 Brown 棕 1 White 白
	Pin # Wire A	Pin # Wire B	Pin # Wire A	Pin # Wire B	Pin # Wire A	Pin # Wire B	Pin # Wire A	Pin # Wire B
Conn.								
	3P	3P	4P	4P	5P	5P	8P	8P

△E Pin Assignments Front View

UNIT:mm TOLERANCE ±0.5mm	 TITLE ACC, SEN, A Code, Y ADA W/ CB F SCALE 2:1 SIZE A4 SHEET 2 OF 2 REV. E WC-REV. A.2 CC: Inspection item	<h1>Amphenol LTW</h1> 安費諾亮泰企業股份有限公司	ITEM NO	DRAWN BY	DATE
			SS-XX0000-F00-YSBXX	Cary liu	2013-09-14
			CUSTOMER ALTW	CHECKED BY Mafei	DATE 2013-09-14
			APPROVED BY Victor	DATE 2013-09-14	

1 2 3 4 5 6 7 8 W10814-03-0001A2